

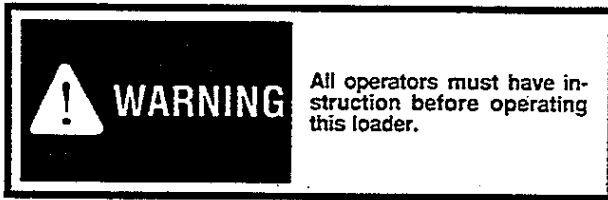
# Thomas 133

# Parts Manual

Serial Numbers- LE002183-LE006074  
LC000486-LC001000

Publication No. 33007-6

# SAFETY PRECAUTIONS



1. Read the operators manual carefully and familiarize yourself with the operation of all controls, safety equipment and safety precautions before operating this loader.
2. Always fasten the seat belt before starting or operating this loader.
3. Do not operate this loader without using seat bar, seat belt and operators guard.
4. Do not operate this loader unless all safety and instruction decals are in place and all safety equipment, shields, are in place and in proper working condition.
5. Do not get off the loader without first, lowering boom arms, stopping engine, engaging parking brake — foot pedal lock — neutral centering device and removing key from ignition. Cycle the pedals and ensure they are locked in neutral before getting out of the loader.
6. Do not park on an incline. If necessary to park on an incline park across the slope — lower lift arms and ground bucket — engage the parking brake and block the wheels.
7. Do not exceed rated lift capacity of this loader.
8. Do not drive across a slope. Always go up or down a slope with the heavy end of the loader pointing up towards the top of the slope.
9. Do not allow anyone to ride on loader with the operator.
10. Always operate in a well ventilated area. Do not operate in atmosphere with explosive dusts or gasses.
11. Avoid jerky turns, starts or stops. Reduce operating speed on rough ground and slopes.
12. Keep load low — do not travel or turn with boom arms up.
13. Watch for others when operating.
14. Do not add fuel to the loader when the engine is running or is hot. No smoking.
15. Do not get under raised boom unless boom lock is engaged. Always engage boom lock before doing any servicing which requires the boom be up.
16. Do not attempt to repair or tighten any hydraulic hoses or fittings with the engine running and the hydraulic system is under pressure.
17. Replace all missing, illegible, or damaged safety and warning decals.
18. Do not modify or alter or permit anyone to modify or alter this equipment or any of its components.
19. Do not bypass the starter safety switch. Consult your dealer if your safety starter controls are malfunctioning.

## SAFETY EQUIPMENT

The loader is equipped with the following safety equipment for your protection. Take care of them and inspect their condition daily.

**Safety Belt** — Check seat belts for frayed or cut webbing, damaged buckles or loose mounting brackets.

**Operator Guard (ROPS)** — Check for damage or loose mountings. Never remove protective screens.

**Safety Treads/Warning Decals** — Keep safety treads clean. Check for missing or damaged decals. Replace worn, damaged or missing safety treads or decals.

**Shields** — Keep all protective shields in place.

**Seat Bar/Parking Brake/Foot Pedal and Control Lever Lock** — Check operation and repair or replace as required.

**Boom Locks** — Check operation and repair or replace as required.

**Quick-Tach Lock** — Check operation and repair or replace as required.

**Operating Lights** — Check operation of all lighting.

PUBLICATION NO. 33007/6

## MAIN FRAME 1.

Microfiche	Page
A-1 Fuel System (T103/133)	1.1
A-2 Fuel System (T132)	1.1.1
A-3 Rear Door and Latch (T103/133)	1.2
A-4 Rear Door and Latch (T132)	1.2.1
A-5 Quick-Tach Assembly	1.3
A-6 Shields	1.4
A-6 Seat and Belt	1.4
A-6 Decals and Paint	1.4
A-6 Wheel Equipment	1.4
A-7 Sound Suppression Kit (optional)	1.5
A-8 Cab Doors	1.5.1
A-9 Boom Lock	1.6
A-9 Boom Arms, Pivot Pins	1.6

## CONTROLS 2

A-10 Control Levers and Neutral Centering Device	2.1
A-11 Control Levers and Neutral Centering Device	2.1.1
A-12 Control Levers and Neutral Centering Device (H.C.)	2.2
B-1 Foot Pedals w/Locks	2.2.1
B-2 Throttle and Diesel Stop Control	2.3
B-3 Parking Brake	2.4
B-4 Seat Bar and Neutral Centering Device	2.5.1
B-5 Seat Bar and Neutral Centering Device	2.5.2

## FINAL DRIVE TRANSMISSION 3.

B-6 Axle Assembly	3.1
B-7 Chain Tightener Assembly	3.2

## HYDRAULIC SYSTEM 4.

B-8 Oil Reservoir	4.1
B-9 Boom Lift Circuit	4.2
B-10 Boom Lift Circuit	4.2.1
B-11 Boom Lift Circuit	4.2.2
B-12 Bucket Tilt Circuit	4.3
C-1 Bucket Tilt Circuit	4.3.1
C-2 Bucket Tilt Circuit	4.3.2
C-3 Auxiliary Hydraulic Circuit	4.4
C-4 Auxiliary Hydraulic Circuit	4.4.1
C-5 Auxiliary Hydraulic Circuit	4.4.2
C-6 Auxiliary Gear Pump	4.5
C-7 Control Valve and Stabilizer Assembly	4.6
C-8 Control Valve	4.7
C-9 Valve, Hi-Flow Units	4.7.1
C-10 Electro Solenoid	4.7.2
C-11 Lift Cylinders	4.8.1
C-12 Tilt Cylinders	4.8.2
D-1 Oil Cooler, Filter and Fittings	4.9
D-2 Self Level Valve (optional)	4.10

## HYDROSTATIC DRIVE SYSTEM 5.

D-3 Hydrostatic Drive System (T103)	5.1
D-4 Hydrostatic Drive System (T133)	5.1.1
D-5 Front Hydrostatic Pump (w/charge pump) T103	5.2
D-6 Front Hydrostatic Pump (w/charge pump) T133	5.2.1
D-7 Front Hydrostatic Pump (w/charge pump) T133	5.2.2
D-8 Rear Hydrostatic Pump (T103)	5.3
D-9 Rear Hydrostatic Pump (T133)	5.3.1
D-10 Rear Hydrostatic Pump (T133)	5.3.2
D-11 Torque Motor	5.4

## ELECTRICAL SYSTEM 6.

D-12 Electrical System (T103/133)	6.1
E-1 Electrical System (T132)	6.2

## ENGINE EQUIPMENT 7.

E-2 Exhaust System (T103/133)	7.1
E-2 Exhaust System (T132)	7.1
E-3 Air Cleaner (T103/133)	7.2
E-3 Air Cleaner (T132)	7.2
E-4 Universal Joint	7.3
E-5 Radiator and Engine Mounts	7.4
E-6 Radiator and Engine Mounts (T132)	7.5

MAIN  
FRAME

CONTROLS

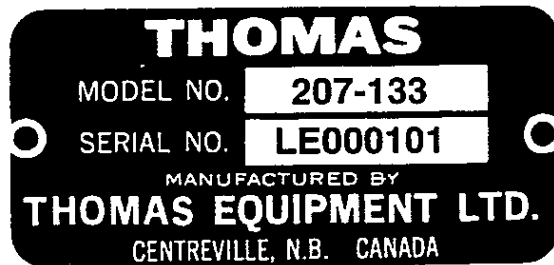
FINAL  
DRIVE  
TRANSMISSION

HYDRAULIC  
SYSTEM

HYDROSTATIC  
DRIVE  
SYSTEM

ELECTRICAL  
SYSTEM

ENGINE  
EQUIPMENT



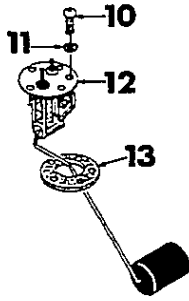
It is important when ordering replacement parts or making a service inquiry to provide both the model number and serial number of your Thomas loader. The serial number plate is located at the rear of the machine on the right hand side above the rear door.

R. H. and L. H. when mentioned in the manual is always referred from the drivers seat looking in a forward position.

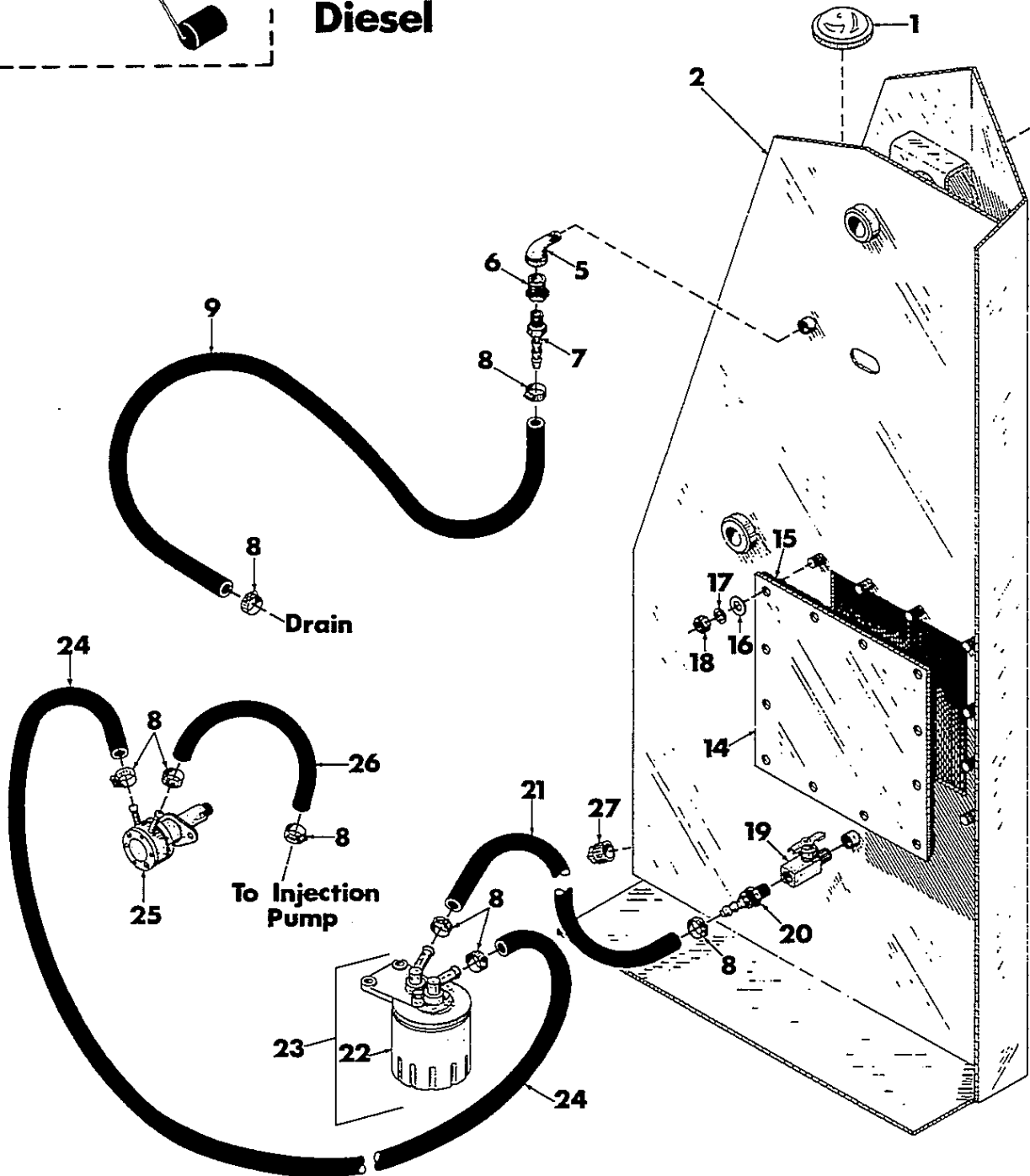
### MAIN FRAME 1.

Microfiche	Page
A-1 Fuel System (T103/133) .....	1.1
A-2 Fuel System (T132) .....	1.1.1
A-3 Rear Door and Latch (T103/133) .....	1.2
A-4 Rear Door and Latch (T132) .....	1.2.1
A-5 Quick-Tach Assembly .....	1.3
A-6 Shields .....	1.4
A-6 Seat and Belt .....	1.4
A-6 Decals and Paint .....	1.4
A-6 Wheel Equipment .....	1.4
A-7 Sound Suppression Kit (optional) .....	1.5
A-8 Cab Doors .....	1.5.1
A-9 Boom Lock.....	1.6
A-9 Boom Arms, Pivot Pins .....	1.6

MAIN  
FRAME



**Diesel**

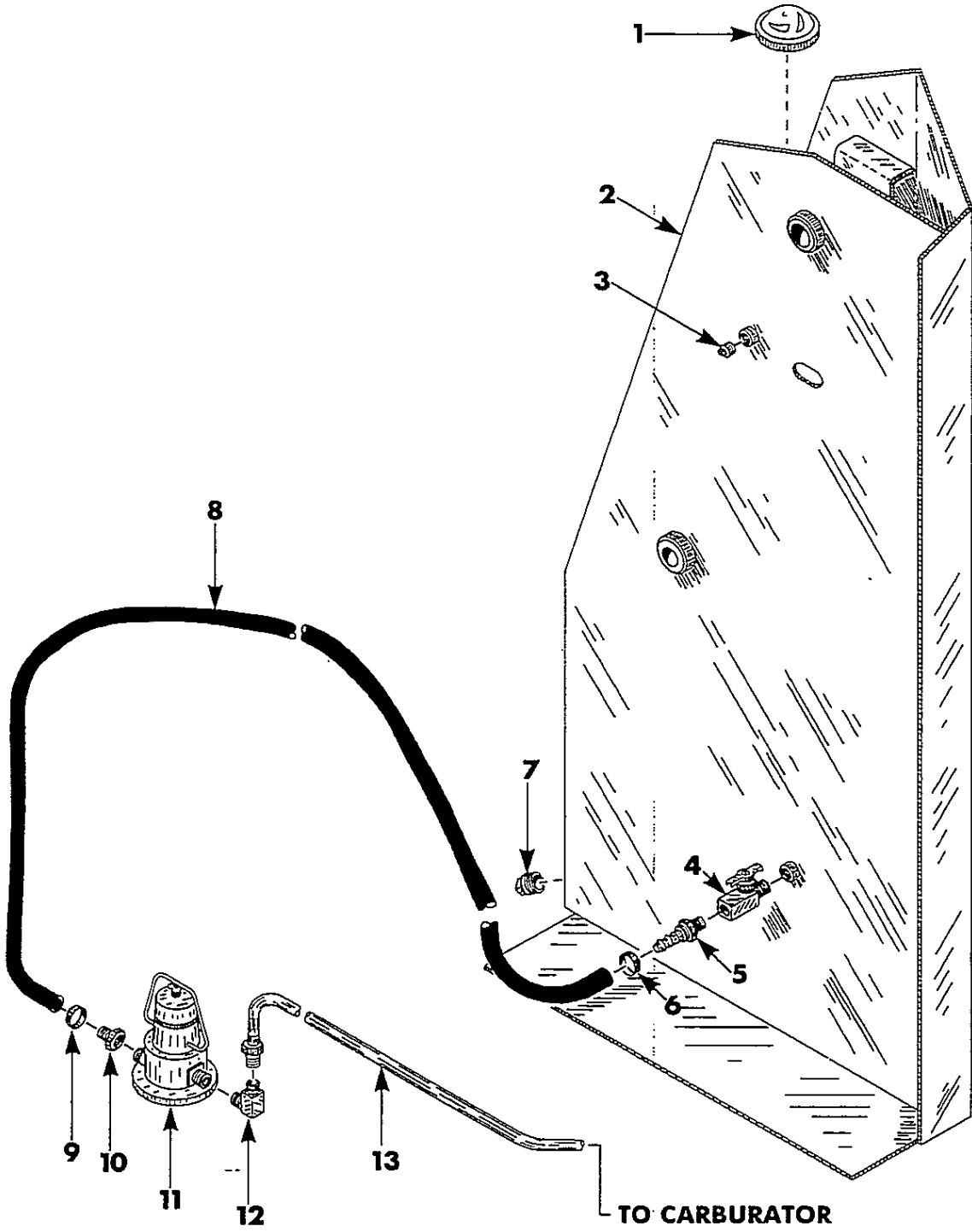


# FUEL SYSTEM T103/T133

1.1

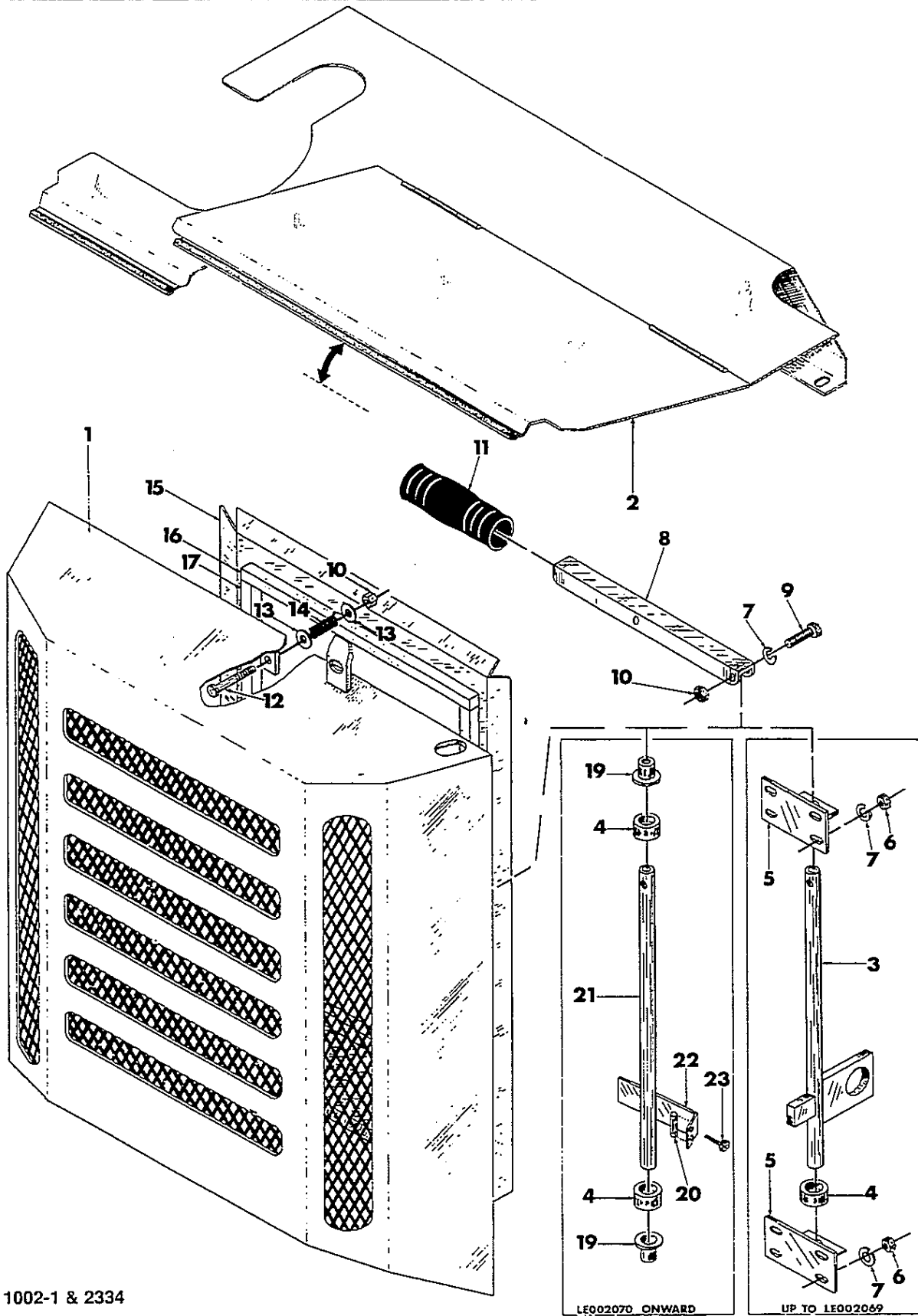
REF.	PART NO.	DESCRIPTION	QUANTITY		SERIAL NO.
			T103	T133	
1	5842	Fuel Filler Cap	1	1	
1	29934	Locking Cap	1	1	
2	N.S.P.	R.H. Fuel Tank Assembly	1	1	
5	6089	Street Elbow 1/4" NPT x 90°	1	1	
6	4539	Reducing Bushing	1	1	
7	18318	Fuel Line Fitting	1	1	
8	19949	Hose Clamp 1/2"	6	8	
9	24882	Fuel Return Line 24" L.	1	1	
10	23194	B341 Machine Screws	5	5	
11	24214	Fibre Washers	5	5	
12	23178	Fuel Lever Sender	1	1	
13	24264	Cork Gasket	1	1	
14	22381	Inspection Cover	1	1	TO LC000345 LE001008 ALSO LE001013
15	20901	Silicon Gasket Maker	As Req'd.	As Req'd.	TO LC000345 LE001008 ALSO LE001013
16	1651	Plainwasher 5/16" Dia.	12	12	TO LC000345 LE001008 ALSO LE001013
17	1870	Springwasher 5/16" Dia.	12	12	TO LC000345 LE001008 ALSO LE001013
18	1191	Nut 5/16" UNC	12	12	TO LC000345 LE001008 ALSO LE001013
19	14797	Fuel Shut-off Cock	1	1	
20	23861	Push-on Coupling	1	1	
21	24877	Tank to Filter Hose	1	1	
21	23710	Tank to Filter Hose	—	1	
22	18685	Fuel Filter	1	—	
22	21677	Fuel Filter	—	1	
23	953823	Fuel Filter Ass'y.	1	—	
23	21679	Fuel Filter Ass'y.	—	1	
24	23709	Filter to Fuel Pump Hose	—	1	
24	24878	Filter to Injection Pump Hose	1	—	
25	953820	Fuel Pump	—	1	
26	21422	Fuel Pump to Injection Pump Hose	—	1	
27	1458	Plug 3/4" NPT	1	1	

\*N.S.P. — non serviceable part









1002-1 & 2334

LE002070 ONWARD

UP TO LE002069

## REAR DOOR AND LATCH — T103

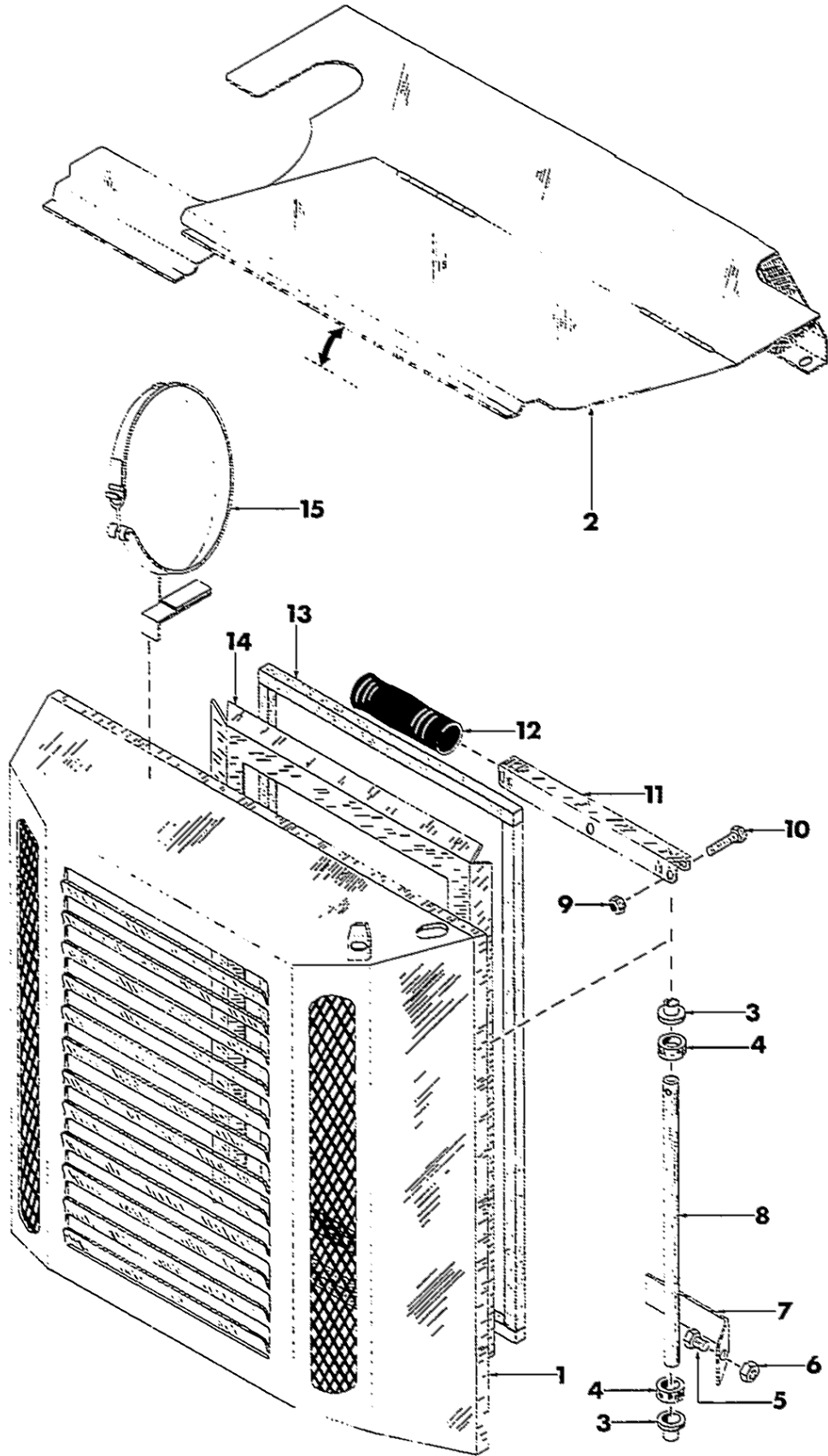
1.2

REF.	PART NO.	DESCRIPTION	QUANTITY T103	SERIAL NO.
1	959780	Rear Door Ass'y.	1	
2	954963	Engine Cover Shield Ass'y.	1	
3	959271	Door Lock Ass'y.	1	
4	4842	Set Collar 3/4" Dia.	1	
5	954425	Door Lock Support Ass'y.	1	
6	1191	Nut 5/16" UNC	8	
7	1651	Washer Flat, 5/16 PL	8	
8	35426	Door Handle	1	
9	1678	Bolt 5/16" UNC x 1 3/4" L.	1	
10	16771	Nut 5/16" UNC.	2	
11	3189	Lever Grip	1	
12	3238	Bolt 1/4" UNC x 3" L.	1	
13	1650	Plainwasher 1/4" Dia.	2	
14	9202	Spring .063" x 13/32" I.D. x 2 1/5" L.	1	
15	26676	Radiator Baffle	1	
16	26677	Baffle Foam 1" x 1" x 14 5/8" L.	2	
17	26629	Baffle Foam 1" x 1" x 18" L.	2	
18	417	Vinyl Door Moulding 10 3/4" L. (not shown)	1	
*25	31440	Door Pin	2	LC000506 - ONWARD
*26	31488	Hinge Bushing	4	LC000506 - ONWARD

## REAR DOOR AND LATCH — T133

REF.	PART NO.	DESCRIPTION	QUANTITY T133	SERIAL NO.
1	954771	Rear Door Ass'y.	1	UP TO LE003827 LE003829 TO LE003831
1	959774	Rear Door Ass'y.	1	FROM LE003832 ONWARD
2	954963	Engine Cover Shield Ass'y.	1	UP TO LE002069
2	957937	Engine Cover Shield Ass'y.	1	FROM LE002070 TO LE003827 LE003829 TO LE003831
2	959047	Engine Cover Shield Ass'y.	1	FROM LE003832 ONWARD
3	954772	Door Lock Ass'y.	1	UP TO LE002069
4	4842	Set Collar 3/4" Dia.	1	UP TO LE002069
4	4842	Set Collar 3/4" Dia.	2	FROM LE002070 ONWARD
5	954425	Door Lock Support Ass'y.	2	UP TO LE002069
6	1191	Nut 5/16" UNC	8	
7	1651	Springwasher 5/16" Dia.	8	
8	35426	Door Handle	1	
9	1678	Bolt 5/16" UNC x 1 3/4" L.	1	
10	6645	Nut 1/4" UNC Nylok	2	UP TO LE002069
10	16771	Nut 5/16" UNC.	1	FROM LE002070 ONWARD
11	3189	Lever Grip	1	
12	3238	Bolt 1/4" UNC x 3" L.	1	UP TO LE002069
13	1650	Plainwasher 1/4" Dia.	2	UP TO LE002069
14	9202	Spring .063" x 13 32" I.D. x 2 1 2" L.	1	UP TO LE002069
15	26664	Radiator Baffle	1	
16	26665	Baffle Foam 1 2" x 1" x 16 1 2" L.	2	
17	26666	Baffle Foam 1 2" x 1" x 20 1 4" L.	2	
18	417	Vinyl Door Moulding 10 3 4" L. (not shown)	1	
19	16989	Bearing, .750 I.D. x 1.000 O.D.	2	FROM LE002070 ONWARD
20	31441	Bar, Door Latching	1	FROM LE002070 ONWARD
21	959272	Rear Door Lock Ass'y.	1	FROM LE002070 ONWARD
22	31442	Rear Door Latch	1	FROM LE002070 ONWARD
23	5170	Bolt 1/4" x 1" UNC	2	FROM LE002070 ONWARD
24	31488	Hinge Bearing	2	FROM LE002070 ONWARD
*25	31440	Door Pin	2	FROM LE002070 ONWARD

\*not illustrated

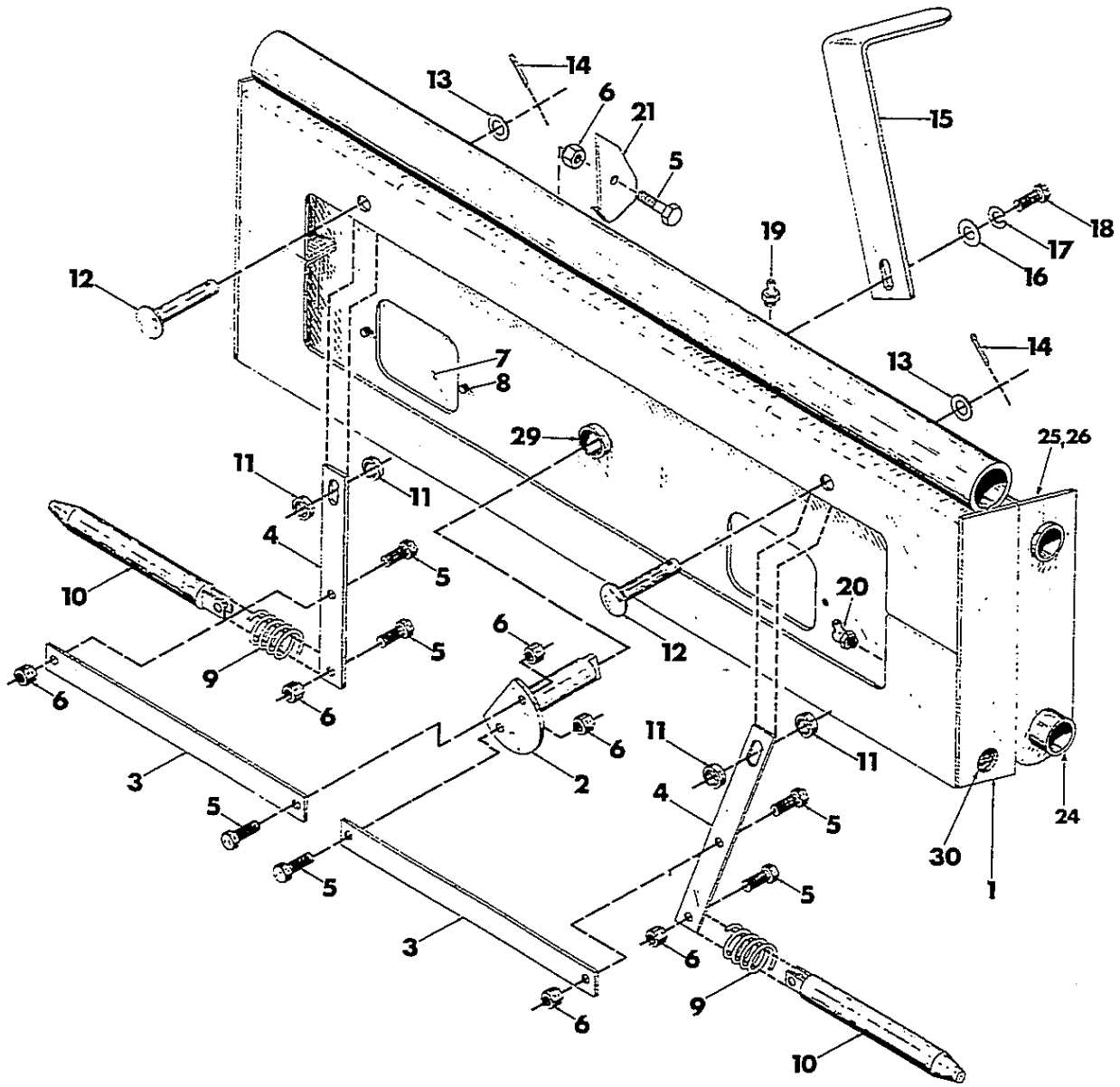


# REAR DOOR AND LATCH — T132

1.2.1

REF.	PART NO.	DESCRIPTION	QUANTITY T132	SERIAL NO.
1	959782	Rear Door Ass'y.	1	
2	957937	Engine Cover Shield Ass'y.	1	UP TO LEG00133
2	959047	Engine Cover Shield Ass'y.	1	FROM LEG00134 ONWARD
3	16989	Bearing .750 I.D. x 1.000 O.D.	2	
4	4842	Set Collar 3/4" Dia.	2	
5	2823	Bolt, CRG Head 1 2" x 1 1/2" L.	1	
6	1024	Nut 1/2" UNC	1	
7	958583	Rear Door Latch	1	
8	959274	Rear Door Lock Ass'y.	1	
9	6645	Nut 1/4" UNC Nylok	1	
10	5897	Bolt 1/4" UNC x 1 3/4" L.	1	
11	35426	Door Handle	1	
12	3189	Lever Grip	1	
13	26665	Baffle Foam	2	
14	26664	Radiator Baffle	2	
15	31892	L.P.G. Tank Brace	2	
*16	31440	Door Pin	2	
*17	31488	Hinge Bushing	4	

\*not illustrated



# QUICK-TACH ASSEMBLY

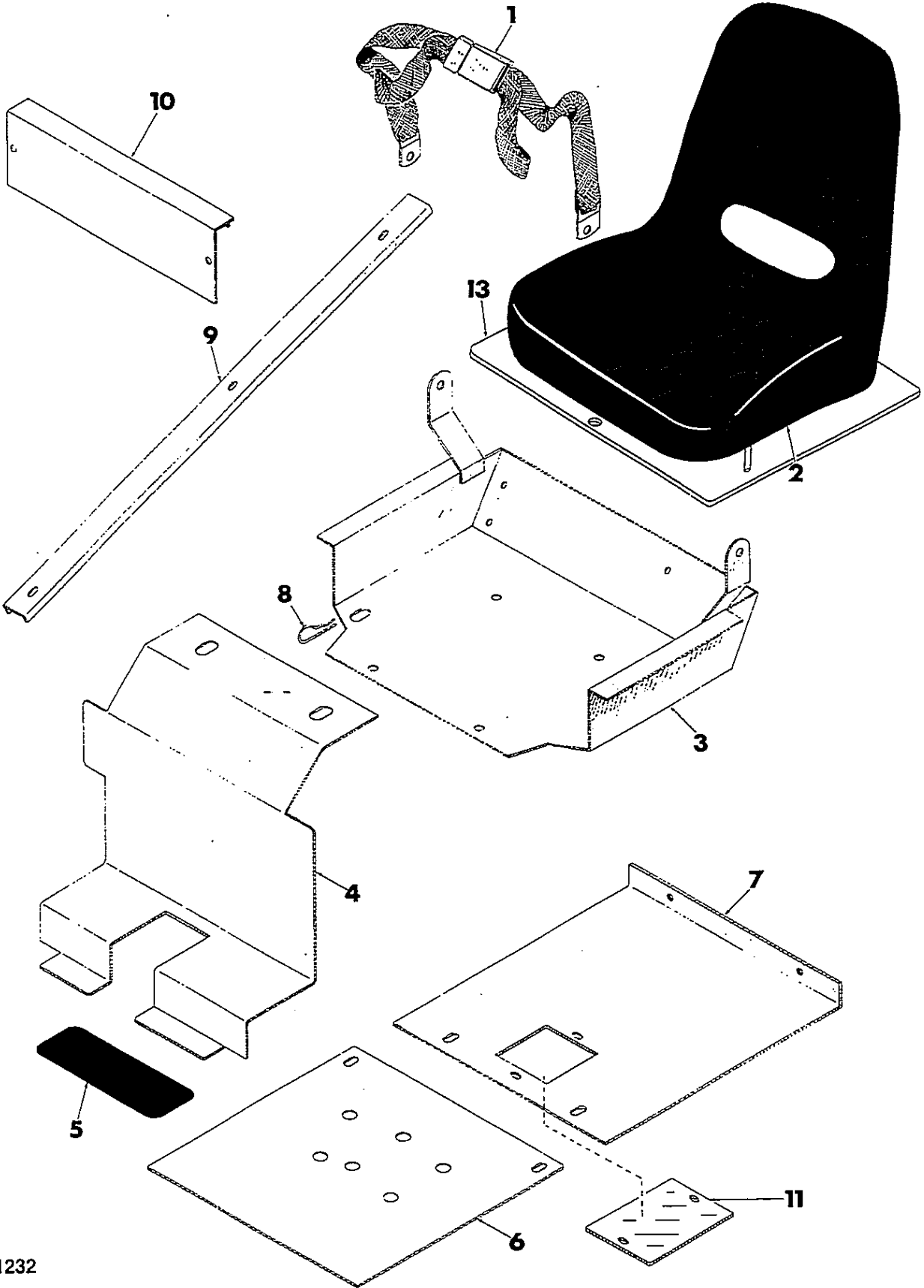
1.3

REF.	PART NO.	DESCRIPTION	QUANTITY		SERIAL NO.
			T103	T133	
1	NA	Refer to Retail Price List For Complete Ass'y			
2	954714	Cam Pin Ass'y	1	1	
3	38099	Lock Pin Linkage	2	2	
4	22652	Stabilizer Bar	2	2	
5	1190	Bolt 5/16" UNC X 1" L	7	7	
6	16771	Nut 5/16" UNC Nylok	7	7	
7	24971	Hole Covers	2	2	
8	2338	Bolt 1/4" UNC X 1/2" L	4	4	
*	2279	1/4" Lockwasher	4	4	
*	1650	1/4" Flatwasher	4	4	
9	25811	Compression Spring	2	2	
10	954715	Quick-Tach Lock Pin Ass'y	2	2	
11	22653	Stabilizer Bar Bushing	4	4	
12	954716	Support Pin Ass'y	2	2	
13	23385	Plainwasher 1/2" Dia.	2	2	
14	1546	Split Pin 1/8" X 1" L.	2	2	
15	32176	Quick-Tach Handle	1	1	
16	32269	Plainwasher 7/16" Dia.	1	1	
17	1642	Springwasher 3/8" Dia.	1	1	
18	1673	Bolt 3/8" UNC X 3/4" L.	1	1	
19	35449	Grease Fitting 1/8" NPT	3	3	
20	35450	Grease Fitting 1/8" NPT X45°	2	2	
21	32187	Quick-Tach Handle Stop	1	1	
24	22662	Hinge Bushing	2	2	TO LC000440 TO LE001674
24	31572	Hinge Bushing	2	2	LC000441 - Onward LE001675 - Onward
25	30735	Long Tilt Bushing	2	2	
26	30734	Short Tilt Bushing	2	2	TO LC000516 TO LE002587
26	32523	Short Tilt Bushing	2	2	LC000517 - Onward LE002588 - Onward
29	22661	Handle Bushing	1	1	
30	22665	Bushing 1.438 O.D. X 1.012 I.D. X4"	1	1	
*	32275	Quick-Tach Warning Decal	1	1	

\* Not Illustrated



# SHIELDS — SEAT AND BELT DECALS AND PAINT WHEEL EQUIPMENT





## SHIELDS — SEAT AND BELT

1.4

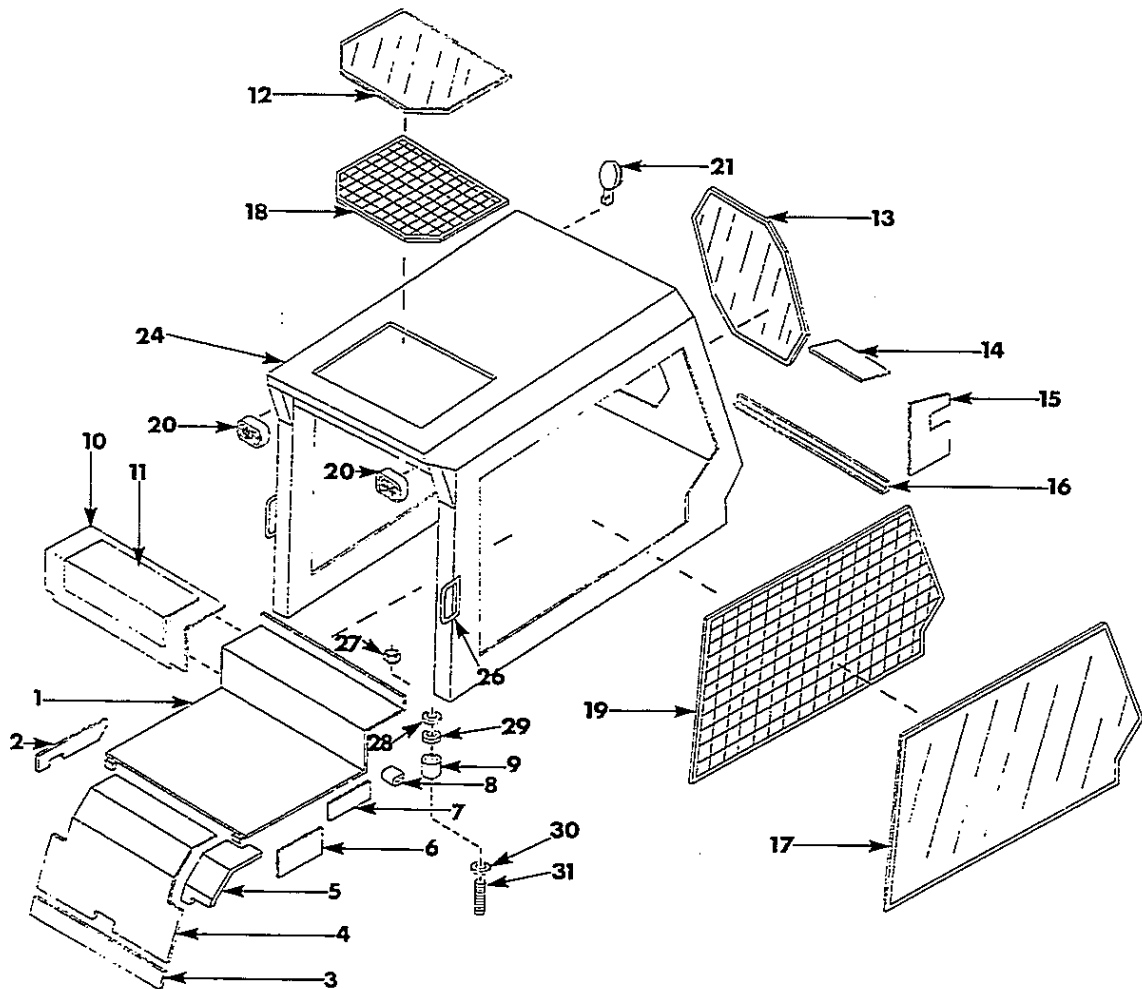
REF.	PART NO.	DESCRIPTION	QUANTITY		SERIAL NO.
			T103	T133	
1	37190	Seat Belt	1	1	TO LC00690 TO LE004736
1	37196	3" Seat Belt.	1	1	LC00691-ONWARD LE004736-ONWARD
2	955064	Fold Down Seat Ass'y	1	1	TO LC00690 TO LE004736
2	37189	Seat Ass'y	1	1	LC00691-ONWARD LE004737-ONWARD
3	955946	Seat Plate Ass'y.	1	1	TO LC00690 TO LE004736
3	960157	Seat Plate Ass'y	1	1	LC00691-ONWARD LE004737-ONWARD
4	24589	Hydrostatic Shield	1	1	TO LE004378
4	36556	Hydrostatic Shield	—	1	LE004379 onward
5	526	Safety Track 4" x 18"	4	4	
6	956364	Front Belly Pan	1	1	
6	958148	Front Belly Pan	1	1	TO LE004378
6	959764	Belly Pan Ass'y.	—	1	LE004379 onward
7	24549	Rear Belly Pan	1	1	
8	24296	Hair Pin Clip	1	1	
9	17579	Auxiliary Tubing Cover	1	1	
10	35396	Front Shield	1	1	
11	24537	Cleanout Cover	1	1	
11	32070	Cleanout Cover	1	1	
*12	22961	Clip, Seat Rod	1	1	
13	37188	Sheet, Seat Mount	-	-	
*	954706	Seat Support Rod Ass'y.	1	1	
*	23441	Battery Hold Down Rod	1	1	
*	21579	Battery Hold Down Clamp	1	1	
*	22388	Battery Box Cover	—	1	
*	954509	Battery Box Cover Hinges	—	2	

## DECALS AND PAINT

REF.	PART NO.	DESCRIPTION	QUANTITY			SERIAL NO.
			T103	T133	T132	
1	37001	T-103 Decal Kit	2	—	—	
2	37003	T-133 Decal Kit	—	2	—	
3	37002	T-132 Decal Kit	—	—	2	
4	36596	Common Decal Kit	1	1	1	
5	36601	German Decal Kit	1	1	1	
6	36602	French Decal Kit	1	1	1	
7	36606	Spanish Decal Kit	1	1	1	
8	37008	F/S Decal	1	1	1	
9	37009	F/D Decal	—	1	1	
10	23579	Paint (Spray Can, Orange)	As Req'd.	As Req'd.	As Req'd.	
11	35487	Paint (Litre, Orange)	As Req'd.	As Req'd.	As Req'd.	
*	37426	Loader Arm Stripe	1	1	1	

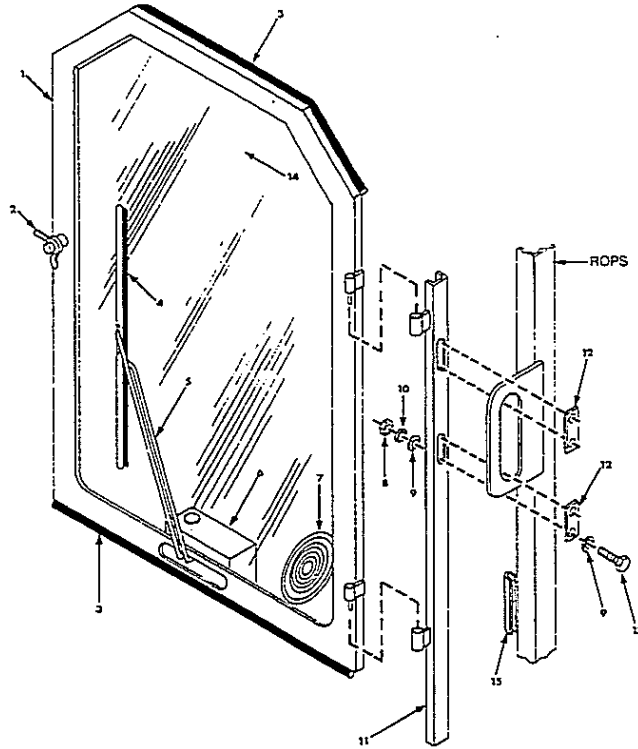
## WHEEL EQUIPMENT

REF.	PART NO.	DESCRIPTION	QUANTITY		SERIAL NO.
			T103	T133	
1	22953	Rim 5 KB x 15 (Standard)	4	4	
2	5816	Tire 7.00 x 15, 6 Ply (Standard)	4	4	
3	5815	Tube 7.00 x 15 (Standard)	4	4	
4	25116	Flotation Rim 16.5 x 8.25 (Optional) Rim	4	4	
5	6800	Tire 10.00 x 16.5, 6 Ply (Optional)	4	4	
6	7019	Tubeless Valve Stem	4	4	
7	5832	Machined Wheel-Nut	24	24	
8	26188	Stud	24	24	
	36091	Segmented Tire Complete (LH) 10 X 16.5	2	2	
	36618	Segmented Tire Complete (RH) 10 X 16.5	2	2	
	36093	Replacement Segments per Tire	10	10	

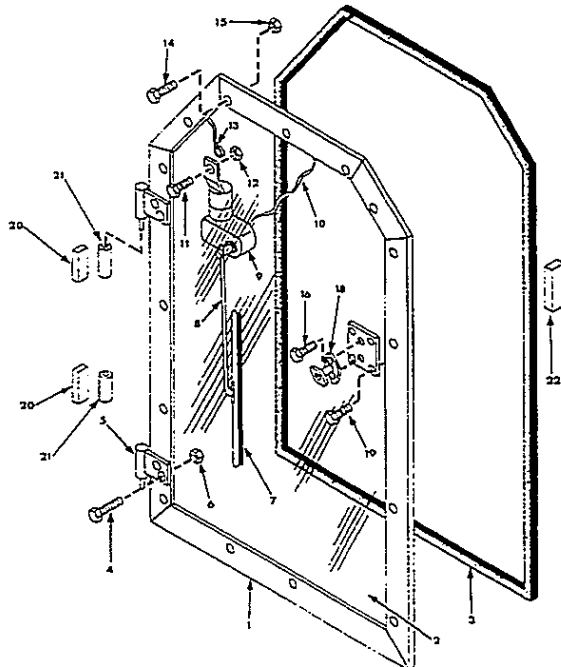




### CAB DOOR — U-1301, U-1307



### CAB DOOR — U-772, U-1462



# CAB DOOR (U-1301, U-1307)

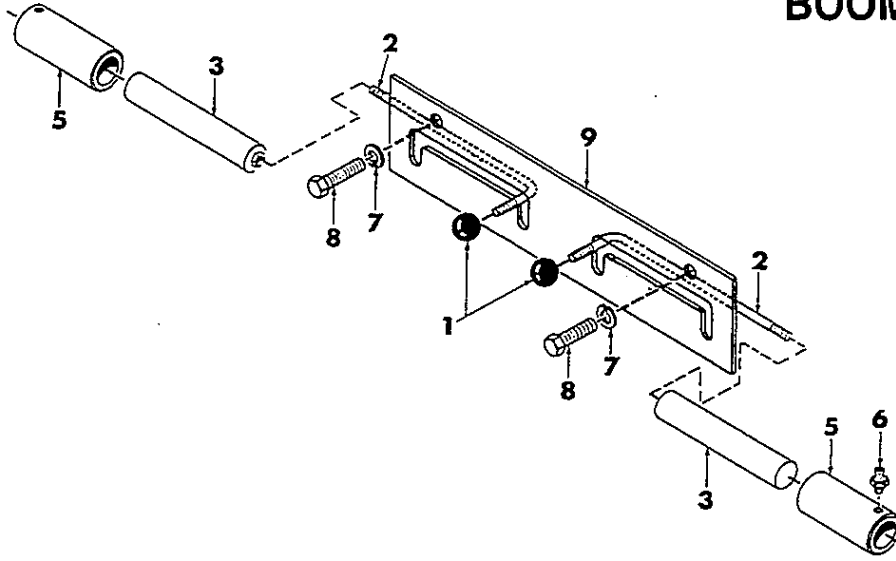
1.5.1

REF.	PART NO.	DESCRIPTION	QUANTITY	SERIAL NO.
1	35424	Cab Door Kit	1	
2	36985	Door Latch	1	
3	36986	Door Seal	1	
4	36987	Wiper Blade	1	
5	36988	Wiper Arm	1	
6	36989	Motor	1	
7	36990	Fan	1	
8	1350	Hex. Nut, 1/4"	4	
9	1650	Flatwasher, 1/4"	8	
10	2279	Lockwasher, 1/4"	4	
11	36991	Door Post Ass'y.	1	
12	36992	Door Post Retainer Ass'y.	2	
13	7723	Hex. Head Bolt, 1/4" x 1 1/4"	4	
14	36993	Door Glass	1	
15	36994	Windlace, 6 1/2" L.	1	

# CAB DOOR (U-772), CAB DOOR (U-1462)

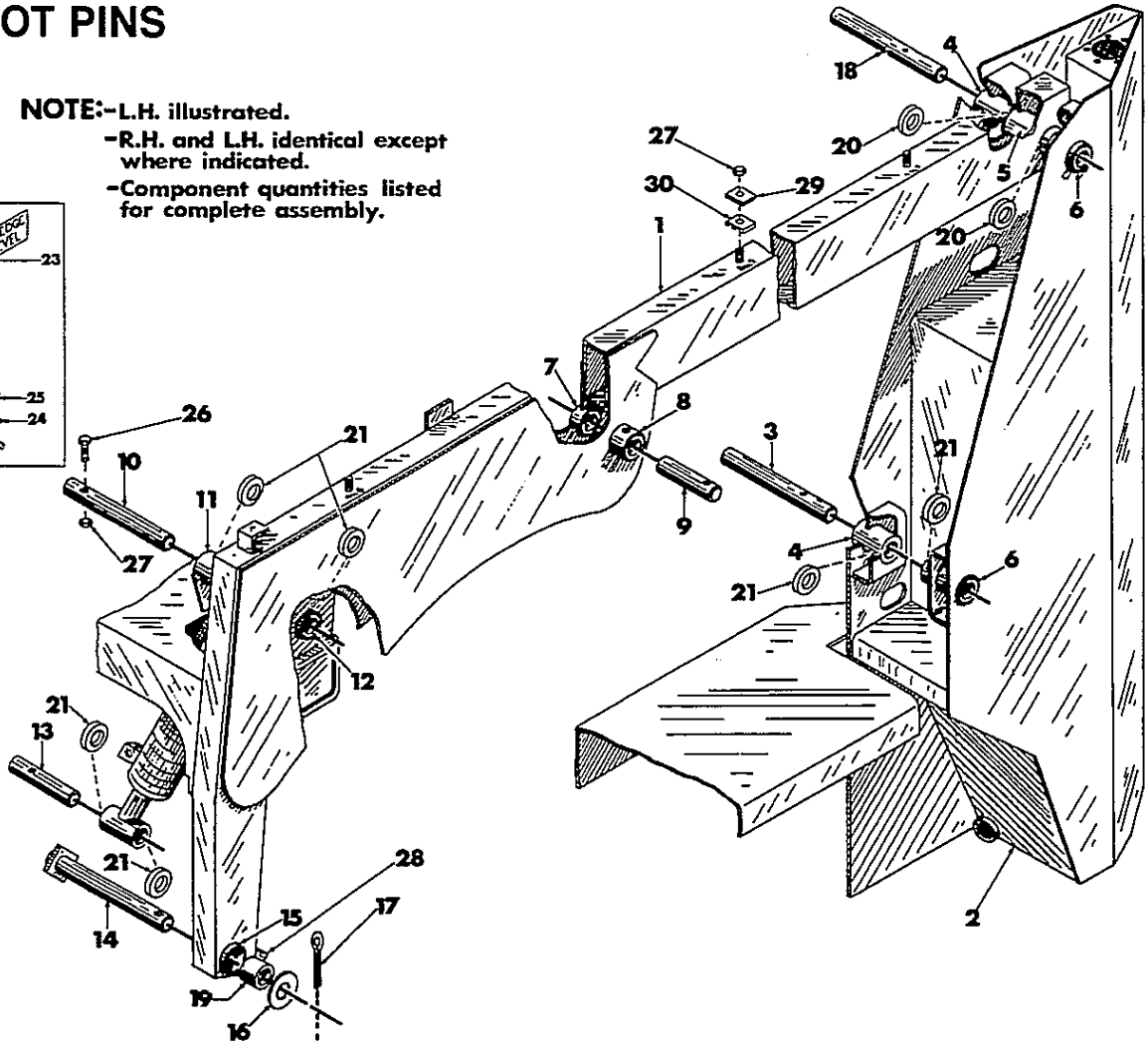
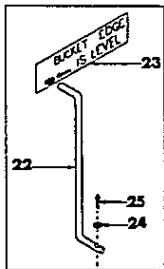
1	955062	Cab Door Ass'y.	1	TO LC000679 TO LE004643
1	960151	Cab Door Ass'y.	1	LC000680 - ONWARD LE004644 - ONWARD
2	23763	ROPS Door Glass	1	TO LC000679 TO LE004643
2	37164	ROPS Door Glass	1	LC000680 - ONWARD LE004644 - ONWARD
3	15931	Weatherstrip, 5/16" x 3/4"	5	TO LC000679 TO LE004643
3	15750	Weatherstrip, 5/16" x 3/4"	5	LC000680 - ONWARD LE004644 - ONWARD
4	6081	Hex. Bolt 5/16" x 3/4" UNC	4	
5	955063	Hinge Ass'y.	2	TO LC000679 TO LE004643
5	960139	Hinge Ass'y.	2	LC000680 - ONWARD LE004644 - ONWARD
6	16771	Hex. Nut, Nylok 5/16" UNC	4	
7	15937	Wiper Blade	1	TO LC000679 TO LE004643
7	32636	Wiper Blade	1	LC000680 - ONWARD LE004644 - ONWARD
8	15936	Wiper Arm	1	
9	15935	Wiper Motor	1	
10	953785	Wiper Motor Wire	1	
11	5170	Hex. Bolt, 1/4" x 1"	1	
12	6645	Nylok Nut 1/4" UNC	12	
13	958745	Motor Ground Wire	1	
14	2663	Hex. Bolt 1/4" x 3/4" UNC	15	
15	6645	Nylok Nut 1/4" UNC	15	
16	15885	Stove Bolt 3/16" x 3/4" UNC	2	
17	15748	Cab Lock (inside)	1	
18	955186	Locking Handle (outside)	1	
19	15885	Stove Bolt 3/16" x 3/4" UNC	4	
20	2657	Spacer Block	2	
21	15798	Hinge Tube	2	
22	15835	Latch Plate	1	

### BOOM LOCK



### PIVOT PINS

**NOTE:**—L.H. illustrated.  
 —R.H. and L.H. identical except where indicated.  
 —Component quantities listed for complete assembly.



# BOOM LOCK

1.6

REF.	PART NO.	DESCRIPTION	QUANTITY		SERIAL NO.
			T103	T133	
1	32319	Knob	2	2	
2	25530	Linkage Rod Ass'y	2	2	
3	25532	Locking Pin Ass'y	2	2	
4	6550	Nut 1/4" UNC Cad. Pl.	2	2	
*5	22393	Lock Pin Bushing	2	2	
6	2010	Grease Fitting	2	2	
7	6356	Springwasher. 1/4"	2	2	
8	2593	Bolt. 5/16" X 1/2" UNC	2	2	
9	25533	Boom Locking Plate	1	1	

# BOOM ARM - PIVOT PINS

REF.	PART NO.	DESCRIPTION	QUANTITY		SERIAL NO.
			T103	T133	
1	955366	T103 Lift Arm Assembly	1	-	LC000102 - LC000209
1	956295	T103 Lift Arm Assembly	1	-	LC000210 - LC000255
1	956465	T103 Lift Arm Assembly	1	-	LC000256 - LC000425
1	957322	T103 Lift Arm Assembly	1	-	LC000426 - LC000440
1	957664	T103 Lift Arm Assembly	1	-	LC000441 - LC000485
1	958002	T103 Lift Arm Assembly (1)	1	-	LC000486 - LC000623
1	959281	T103 Lift Arm Assembly (1)	1	-	LC000624 - ONWARD
1	954766	T133 Lift Arm Assembly	-	1	LE000101 - LE000608
1	956291	T133 Lift Arm Assembly	-	1	LE000609 - LE000717
1	956464	T133 Lift Arm Assembly	-	1	LE000718 - LE001492
1	957318	T133 Lift Arm Assembly	-	1	LE001493 - LE001644
1	957607	T133 Lift Arm Assembly	-	1	LE001645 - LE002191
1	957983	T133 Lift Arm Assembly (1)	-	1	LE002192 - LE004151
1	959277	T133 Lift Arm Assembly (1)	-	1	LE004152 - ONWARD
2	955363	T103 L.H. Oil Tank Assembly	1	-	
2	954628	T133 L.H. Oil Tank Assembly	-	1	
3	22428	Lift Arm Hinge Pin 8 3/8" L.	2	2	
*4	30764	Inner Hinge Bushing	4	4	TO LE000608
*4	30767	Inner Hinge Bushing	-	4	LE000609 - ONWARD
*5	30737	Pivot Bushing	2	2	
*6	30765	Outer Hinge Bushing	4	4	TO LE000608
6	30766	Outer Hinge Bushing	-	4	LE000609 - ONWARD
*7	30732	Bottom Outside Bushing	2	2	
*8	30733	Bottom Inside Bushing	2	2	
9	8881	Lift Cylinder Pin (Lift Arm) 4 1/8" L.	2	2	
10	22791	Long Tilt Pin - 8" L.	2	2	
*11	30731	Outside Tilt Bushing	2	2	
*12	30730	Inside Tilt Bushing	2	2	
13	22790	Short Tilt Pin	2	2	To LC000515 To LE002686
13	32524	Short Tilt Pin	2	2	LC000516 - ONWARD LE002687 - ONWARD
14	956519	Quick-Tach Pin Ass'y	2	2	LC000102 - LC000440 LE000101 - LE001644
14	958006	Quick-Tach Pin Ass'y	2	2	LC000441 - ONWARD LE001645 - ONWARD
*15	22801	Front Bushing	2	2	LC000102 - LC000255 LE000101 - LE000717
*15	26598	Front Bushing	2	2	LC000256 - LC000440 LE000718 - LE001644

\* Welded on part

(1) From these S/N's onward, the Pivot Pin (Item 14) is mounted in reverse of illustration.

(con't on back)

# BOOM ARM - PIVOT PINS (con't)

1.6

REF.	PART NO.	DESCRIPTION	QUANTITY		SERIAL NO.
			T103	T133	
15	32742	Front Bushing	2	2	LC000441 - LC000485 LE001645 - LE002191
*15	30723	Front Bushing	2	2	LC000486 - ONWARD LE002192 - ONWARD
16	1478	Plainwasher - 1" Dia.	2	2	TO LC000505 TO LE002461
16	32501	Plainwasher, 1 1/8" Dia.	2	2	LC000506 - ONWARD LE002462 - ONWARD
17	30235	Cotter Pin 3/8" X 1 1/2" L. Plated	2	2	
18	26191	Lift Arm Hinge Pin	2	2	LC000102 - LC000177 LE000101 - LE000514
18	25808	Lift Arm Hinge Pin	2	2	LC000178 - LC000209 LE000515 - LE000608
18	26101	Lift Arm Hinge Pin	2	2	LC000210 - ONWARD LE000609 - ONWARD
19	26566	Hardened Bushing	2	2	LC000256 - LC000440 LE000718 - LE001644
19	30698	Hardened Bushing	2	2	LC000441 - ONWARD LE001645 - ONWARD
20	32615	Neopreme Flat Washer 1 1/4"	2	2	LC000516 - ONWARD LE002700 - ONWARD
21	32616	Neopreme Flat Washer 1"	2	2	LC000516 - ONWARD LE002700 - ONWARD
22	32323	Bucket Level Indicator	1	1	LC000506 - ONWARD LE002462 - ONWARD
23	32328	Bucket Level Indicator, Decal	1	1	LC000506 - ONWARD LE002462 - ONWARD
24	1643	3/8" Flat Washer	1	1	LC000506 - ONWARD LE002462 - ONWARD
25	1546	1/8" X 1" Cotter Pin	1	1	LC000506 - ONWARD LE002462 - ONWARD
26	1677	Bolt	5	5	
27	16771	Nut 5/16" Nylok	11	11	
28	34816	Boom Stops	2	2	
29	38472	Locking Plate	6	6	
30	38302	Clamp	6	6	



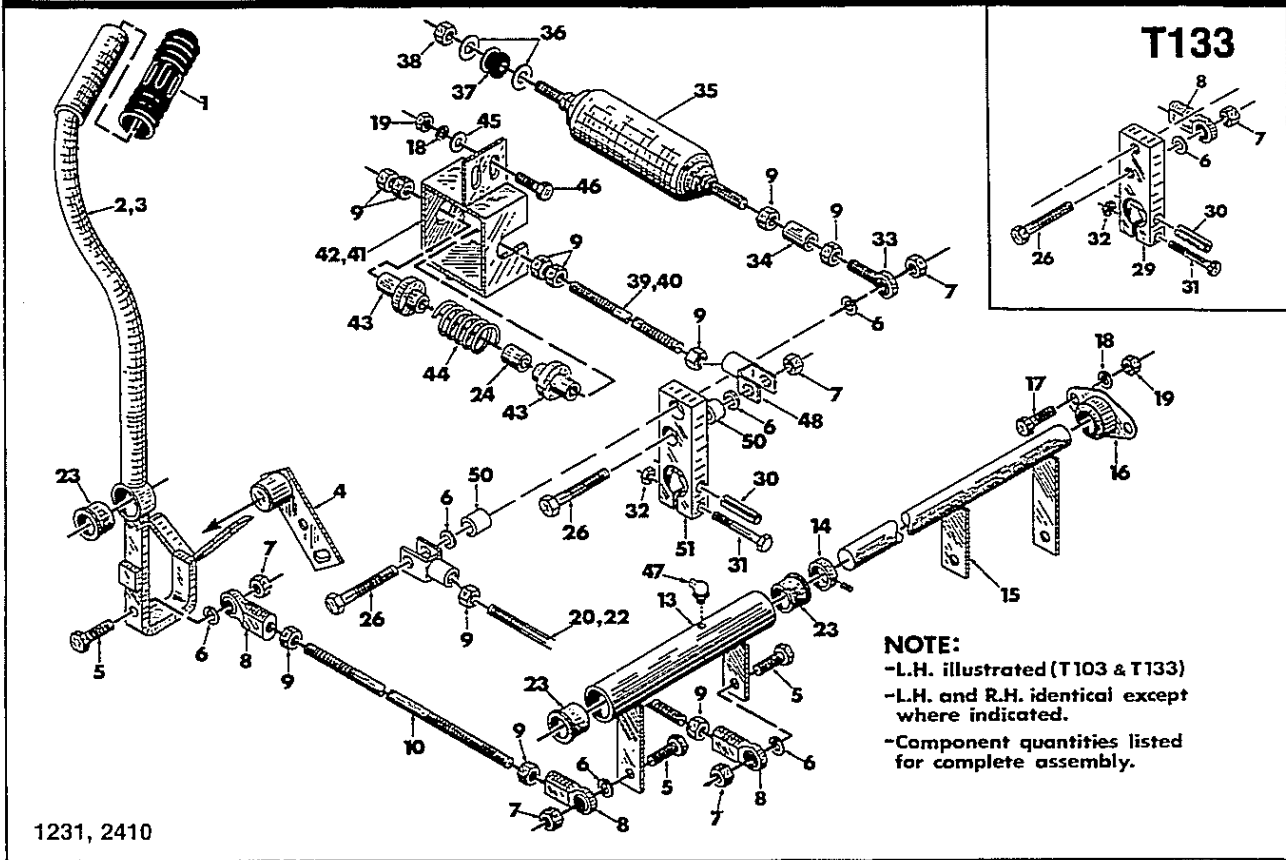
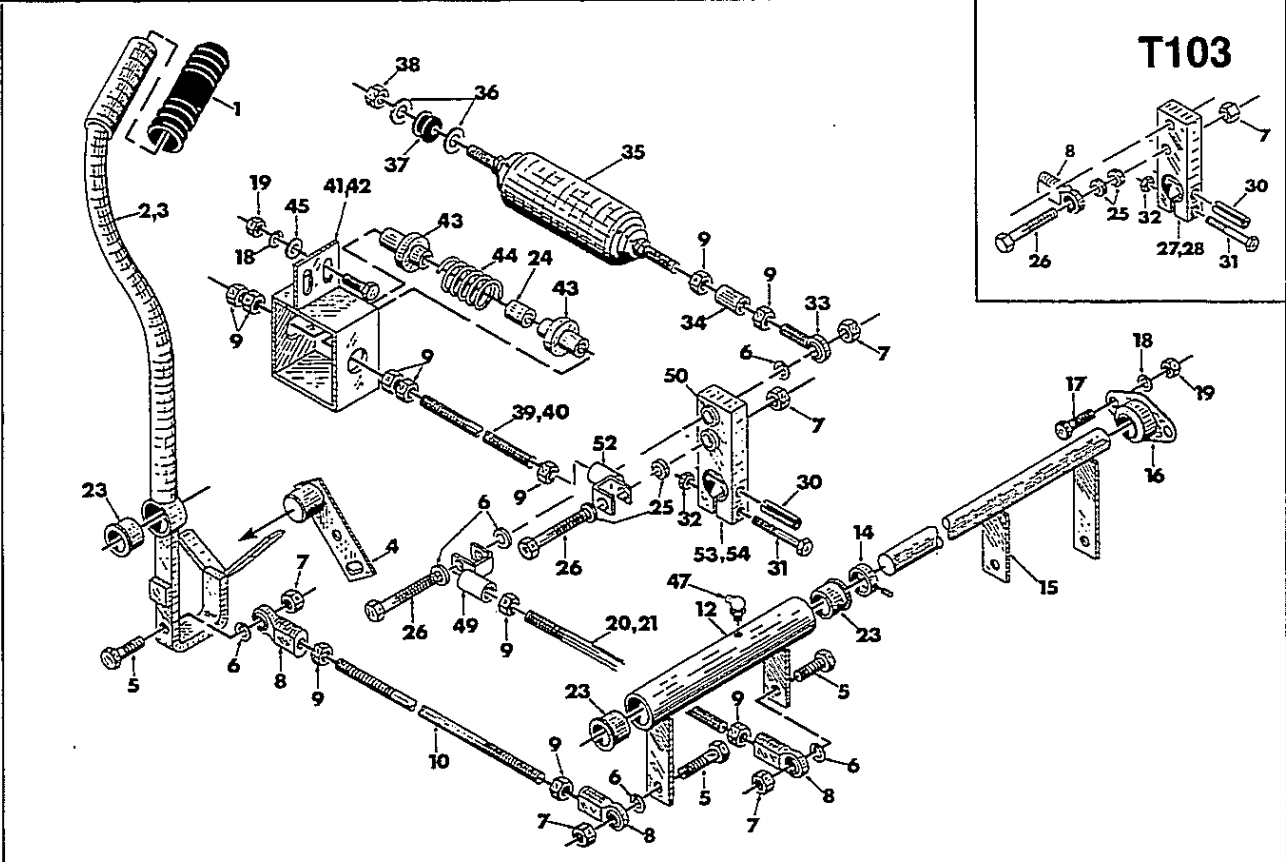
## CONTROLS 2

A-10	Control Levers and Neutral Centering Device .....	2.1
A-11	Control Levers and Neutral Centering Device .....	2.1.1
A-12	Control Levers and Neutral Centering Device (H.C.) .....	2.2
B-1	Foot Pedals w/Locks .....	2.2.1
B-2	Throttle and Diesel Stop Control .....	2.3
B-3	Parking Brake .....	2.4
B-4	Seat Bar and Neutral Centering Device .....	2.5

**CONTROLS**



# CONTROL LEVERS AND NEUTRAL CENTERING DEVICE



**NOTE:**  
 -L.H. illustrated (T103 & T133)  
 -L.H. and R.H. identical except where indicated.  
 -Component quantities listed for complete assembly.

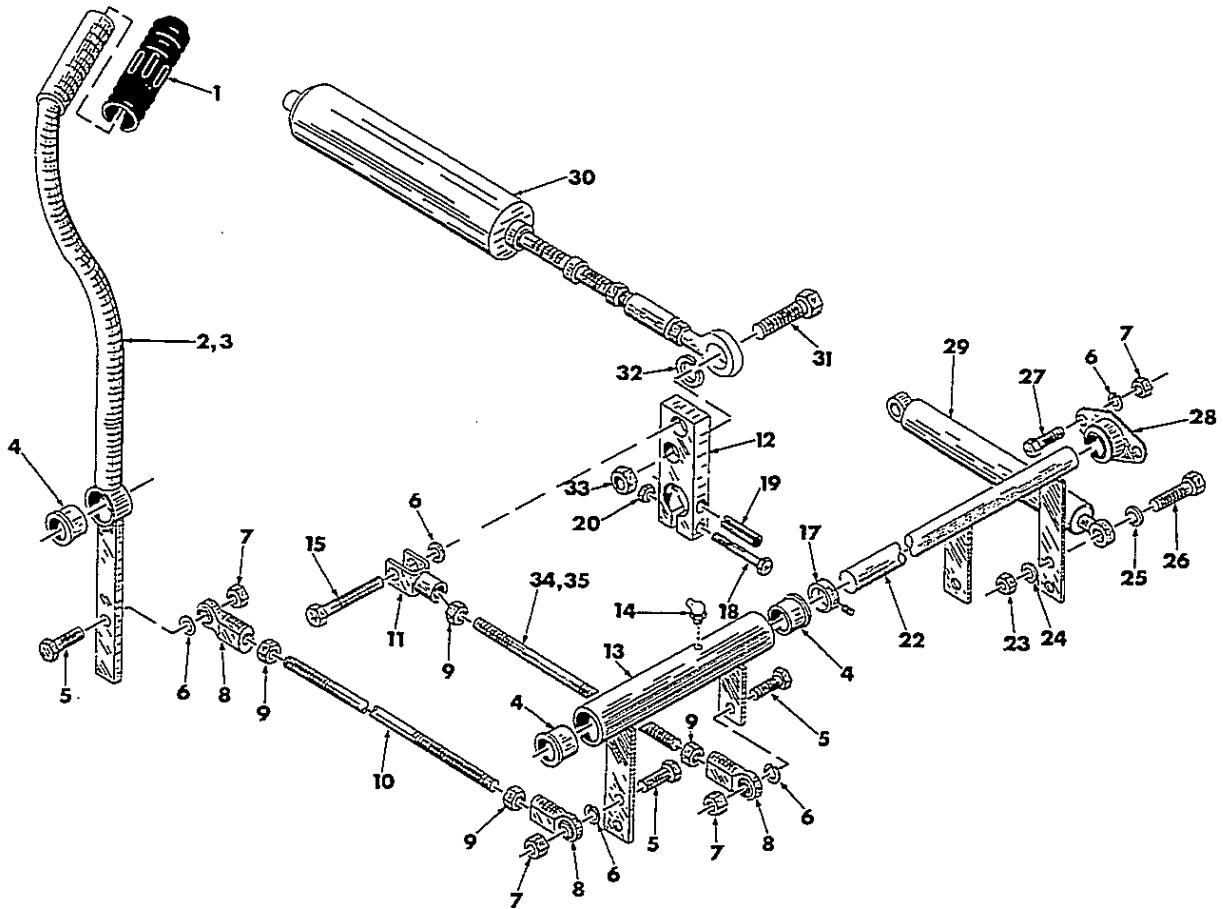
## CONTROL LEVERS AND NEUTRAL CENTERING DEVICE

2.1

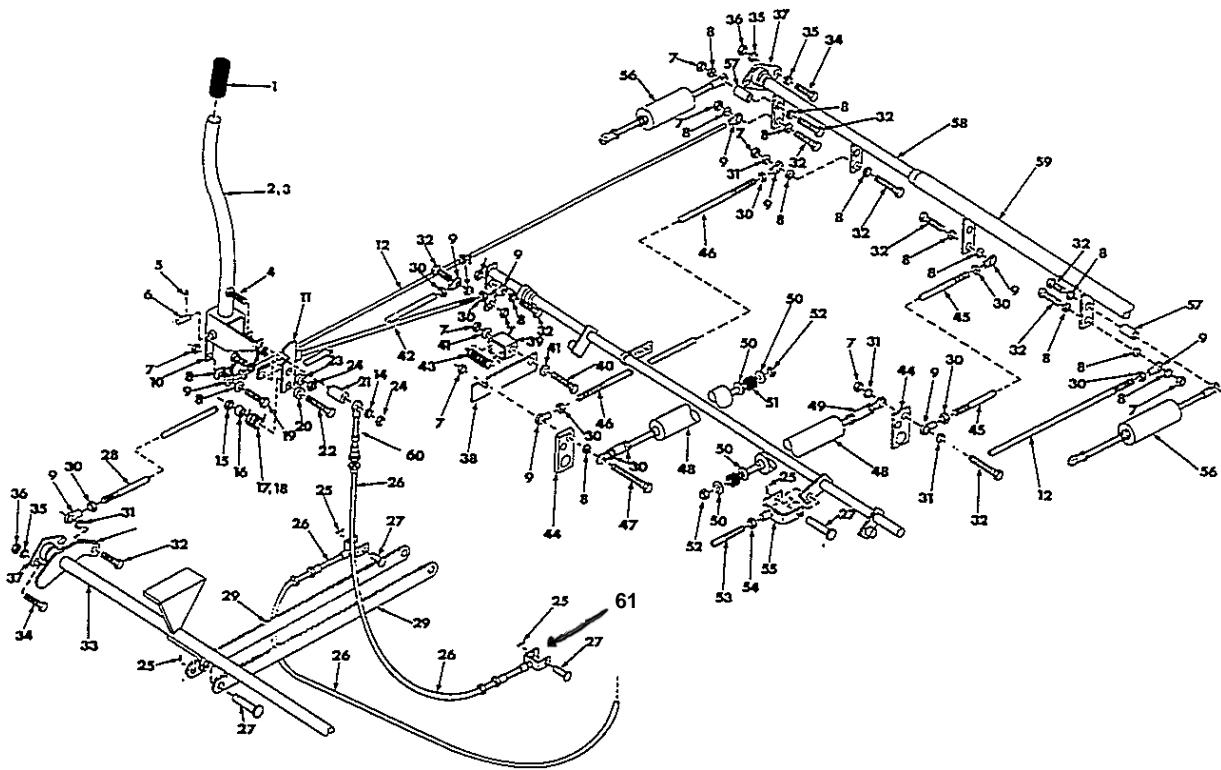
REF.	PART NO.	DESCRIPTION	QUANTITY		SERIAL NO.
			T103	T133	
1	3189	Lever Grip	2	2	
2	955015	L.H. Control Lever Ass'y	1	1	
3	955016	R.H. Control Lever Ass'y	1	1	
4	955241	Lock Guide Ass'y	2	2	
5	1672	Bolt 3/8" UNC X 1 1/2" L.	6	6	
6	1642	Springwasher 3/8" Dia.	10	10	
7	7465	Nut 3/8" UNC Nylok	10	10	
8	5803	Female Rod End	10	10	TO LC000546 - TO LE003120
8	5803	Female Rod End	6	6	LC000547 - ONWARD LE003121 - ONWARD
9	1898	Nut 3/8" UNF	22	22	
10	22628	L.H. - R.H. Lever Control Rod	2	2	
12	955376	Control Lever Sleeve Ass'y	1	-	
13	954709	Control Lever Sleeve Ass'y	-	1	
14	4842	3/4" Set Collar	1	1	
15	954734	Control Rod Shaft Ass'y	1	1	
16	959817	Nylon Bearing	2	2	
17	1341	Bolt 5/16" UNC X 3/4" L.	4	4	
18	1870	Springwasher 5/16" Dia.	8	8	
19	1191	Nut 5/16" UNC	8	8	
20	8834	L.H. Rear Control Rod	1	1	
21	24598	R.H. Rear Control Rod	1	-	
22	17226	R.H. Rear Control Rod	-	1	TO LE003120
22	24598	R.H. Rear Control Rod	-	1	LE003121 - ONWARD
23	16989	Flange Bearing	4	4	
24	26505	Spring Box Spacer	2	2	
25	21174	Spacer	6	6	
26	1364	Bolt 3/8" UNC X 2" L.	2	2	
27	24603	L.H. Pintle Lever	1	-	TO LC000546
28	24599	R.H. Pintle Lever	1	-	TO LC000546
29	22636	Pintle Lever	-	2	TO LE003120
30	21004	Roll Pin	2	-	
30	14916	Roll Pin. 3/8" X 1 1/2"	-	2	TO LE003120
30	29266	Roll Pin. 3/8" X 2"	-	2	LE003121 - ONWARD
31	3313	Bolt 1/4" UNC X 2" L.	2	2	TO LC000546 - TO LE003120
31	3237	Bolt 1/4" UNC X 2 1/2" L.	2	2	LC000547 - ONWARD LE003121 - ONWARD
32	6645	Nut 1/4" UNC Nylok	2	2	TO LC000546 - TO LE003120
32	1350	Nut Hex. 1/4" UNC	2	2	LC000547 - ONWARD LE003121 - ONWARD
33	15880	Male Rod End	2	2	
34	22630	Air Shock Extension	2	2	
35	14860	Air Shock Absorber	2	2	
36	1643	Plainwasher 3/8" Dia.	4	4	
37	17385	Grommet 3/8" I.D. X 5/8" O.D.	2	2	
38	8598	Nut 3/8" UNF Nylok	2	2	
39	17170	L.H. Control Lever Linkage Rod No.3	1	1	TO LC000546 - TO LE003120
40	17171	R.H. Control Lever Linkage Rod No.4	1	1	TO LC000546 - TO LE003120
41	954722	L.H. (103) or R.H. (133) Rod Support Ass'y	1	1	
42	954707	R.H. (103) or L.H. (133) Rod Support Ass'y	1	1	
43	16572	Spring Bushing	4	4	
44	25176	Spring .120 X .975 I.D. X 2.5" L.	2	2	
44	33599	Spring .61" X 2.5"	2	2	LC000556 - ONWARD LE003250 - ONWARD
45	1651	Plainwasher 5/16" Dia.	4	4	
46	1190	Bolt 5/16" UNC X 1" L.	4	4	
47	3553	Grease Fitting	1	1	
48	956752	Yoke, Control Lever Rod Ass'y. (L.H.)	-	3	LE003121 - ONWARD
49	956751	Yoke, Control Lever Rod Ass'y. (R.H.)	1	1	LC000547 - ONWARD LE003121 - ONWARD
50	29135	Vibration Isolator	2	2	LC000547 - ONWARD LE003121 - ONWARD
51	29118	Pintle Lever	-	1	LE003121 - ONWARD
52	957187	Yoke, Control Lever Rod Ass'y.	3	-	LC000547 - ONWARD
53	957185	L.H. Pintle Lever	1	-	LC000547 - LC000605
53	24603	L.H. Pintle Lever	1	-	LC000607 - ONWARD
54	957186	R.H. Pintle Lever	1	-	LC000547 - LC000605
54	24599	R.H. Pintle Lever	1	-	LC000607 - ONWARD



# CONTROL LEVERS AND NEUTRAL CENTERING DEVICE LE003828-ONWARD



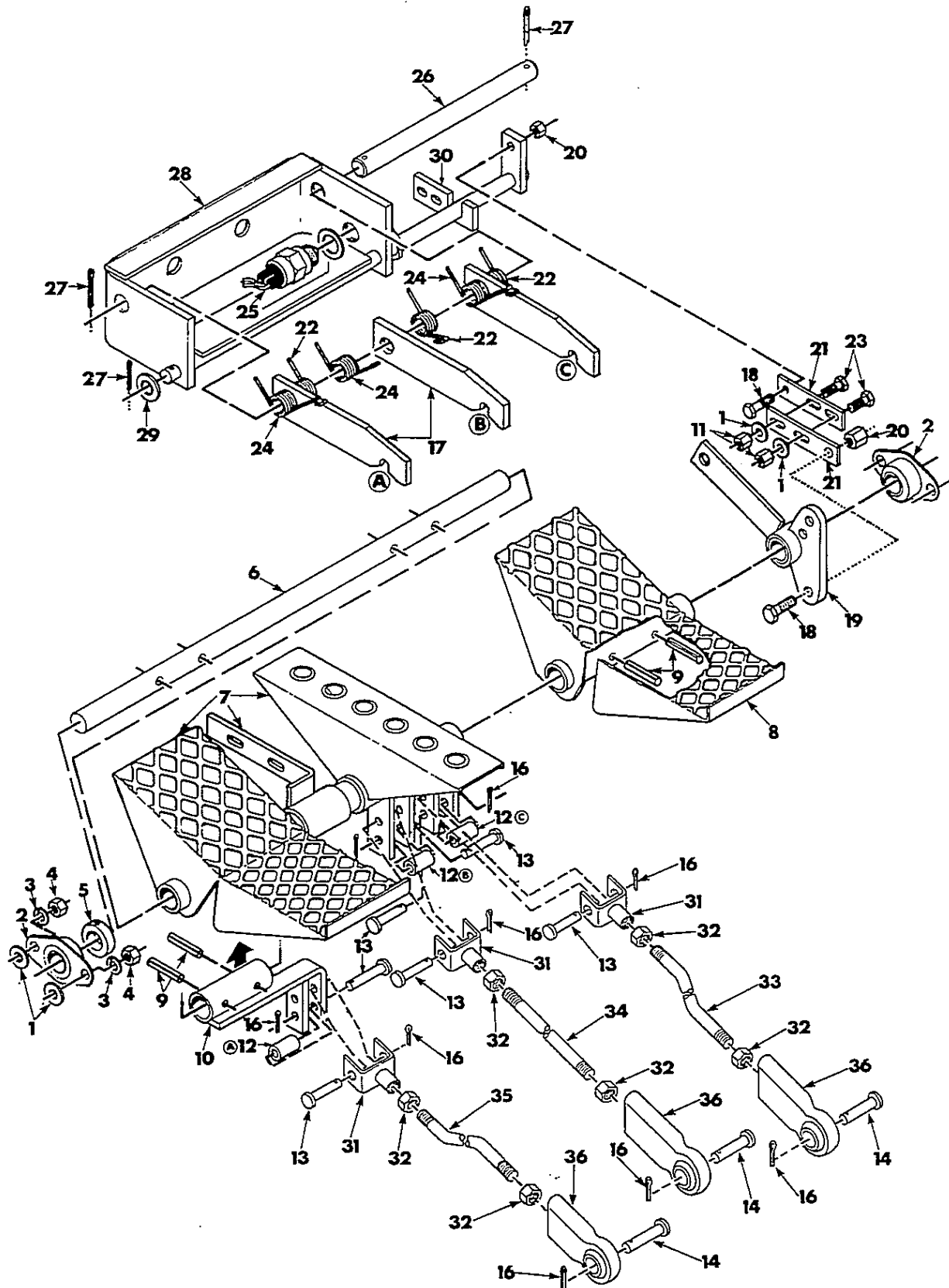




## CONTROL LEVERS AND NEUTRAL CENTERING DEVICE (HAND CONTROLS)

2.2

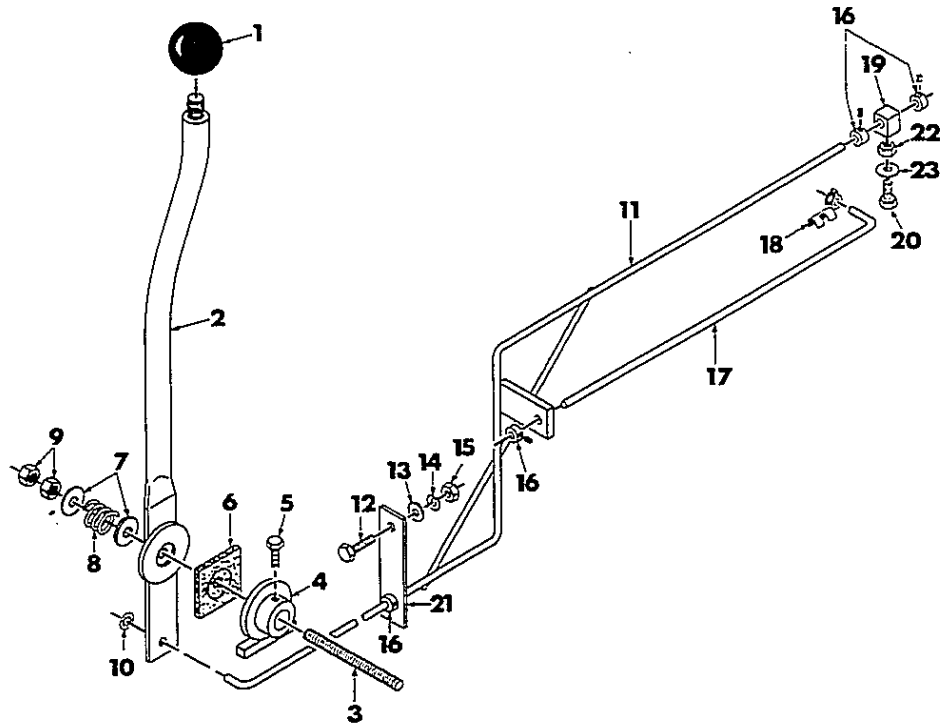
REF.	PART NO.	DESCRIPTION	QUANTITY		SERIAL NO.
			T103	T133	
1	3189	Lever Grip	2	2	
2	959330	R.H. Control Lever	1	1	
3	959331	L.H. Control Lever	1	1	
4	29249	Bolt, Hex. 1/4" UNC	2	2	
5	5896	Pin, Split Spring 1/4" x 11/4"	2	2	
6	35763	Control Lever Shaft Bar	2	2	
7	7465	Nut 3/8" UNC Nylok	6	6	
8	1642	Washer, Lock 3/8" PL.	8	8	
9	5803	Female Rod End	10	10	
10	959333	Control Lever Swivel Block	2	2	
11	35877	Locking Arm Flat Bar	2	2	
12	22628	R.H. & L.H. Control Lever Rod	2	2	
13	5170	Bolt, Hex. 1/4" x 1" UNC.	2	2	
14	1650	Washer, Flat 1/4"	8	8	
15	20860	Nut, Hex. 1/2" UNC.	2	2	
16	35933	Tube, .750" O.D.	2	2	
17	956137	Spring, .115" Dia. x 1.043"	1	1	
18	956138	Spring, .115" Dia. x 1.043"	1	1	
19	1673	Bolt, Hex. 3/8" x 3/4" UNC.	1	1	
20	35934	Tube, Hyd. .625" O.D. x .60" Wall	2	2	
21	25875	Bushing, .375" O.D. x .250" I.D.	2	2	
22	1080	Bolt, Hex. 1/2" x 21/2" UNC.	2	2	
23	35879	Lock Bushing Bar	2	2	
24	6645	Nut, Nylok 1/4" UNC>	4	4	
25	1631	Pin, Cotter 3/32" x 3/4"	5	5	
26	35784	Push-Pull Cable	2	2	
27	30739	Clevis Pin 1/4" x 3/4" Round Head	4	4	
29	30590	Control Valve Linkage Bar	2	2	TO LE004378
29	36545	Control Valve Linkage	-	2	LE004379 - ONWARD
30	1898	Nut 3/8" UNF.	12	12	
31	21174	Washer, 3/8" I.D. x 5/8" O.D.	4	4	
32	1672	Bolt, Hex. 3/8" x 11/2" UNC.	10	10	
33	959349	Auxiliary Pedal	1	1	TO LE004378
33	959741	Auxiliary Pedal	-	1	LE004379 - ONWARD
34	1341	Bolt, 5/16" UNC. x 3/4" L.	4	4	
35	1870	Springwasher 5/16" Dia.	8	8	
36	1191	Nut 5/16" UNC.	8	8	
37	5891	Nylon Bearing	4	4	
38	29982	Straight Long Arm	2	2	
39	956714	Pivot Ass'y. (Long)	-	1	
39	959085	Pivot Ass'y. (Long)	1	-	
40	14620	Bolt 3/8" x 21/2" L.	2	2	
41	1643	Plain Washer 3/8" Dia.	4	4	
42	959403	R.H. Pull-Off Lock	1	1	
43	956138	Spring, .115" Dia. x 1.043"	1	1	
44	24603	L.H. Pintle Lever	1	-	
44	24599	R.M. Pintle Lever	1	-	
44	956770	Pintle Lever	-	2	TO LE003922
44	22636	Pintle Lever	-	2	LE003923 - ONWARD
45	34989	L.H. Rear Control Rod	1	1	
46	34990	R.H. Rear Control Rod	1	1	
47	1364	Bolt, 3/8" UNC. x 2" L.	2	2	
48	14860	Air Shock Absorber	2	2	
49	22630	Air Shock Extension	2	2	
50	1643	Plainwasher 3/8" Dia.	4	4	
51	17385	Grommet 3/8" I.D. x 5/8" O.D.	4	4	
52	8598	Nut 3/8" UNF Nylok	2	2	
53	959404	L.H. Pull-Off Lock	1	1	
54	1898	Nut, Hex. 3/8" UNF.	4	4	
55	34262	Clevis 3/8" UNF	1	1	
56	959073	Hydroback Ass'y.	2	2	
57	29349	Bushing, .500" O.D. x .391" I.D.	3	3	
58	959467	Control Rod Shaft Ass'y.	1	1	
59	959005	Control Lever Sleeve Ass'y.	1	1	
60	35883	Rod End Ass'y	1	1	
61	036487	Clevis			





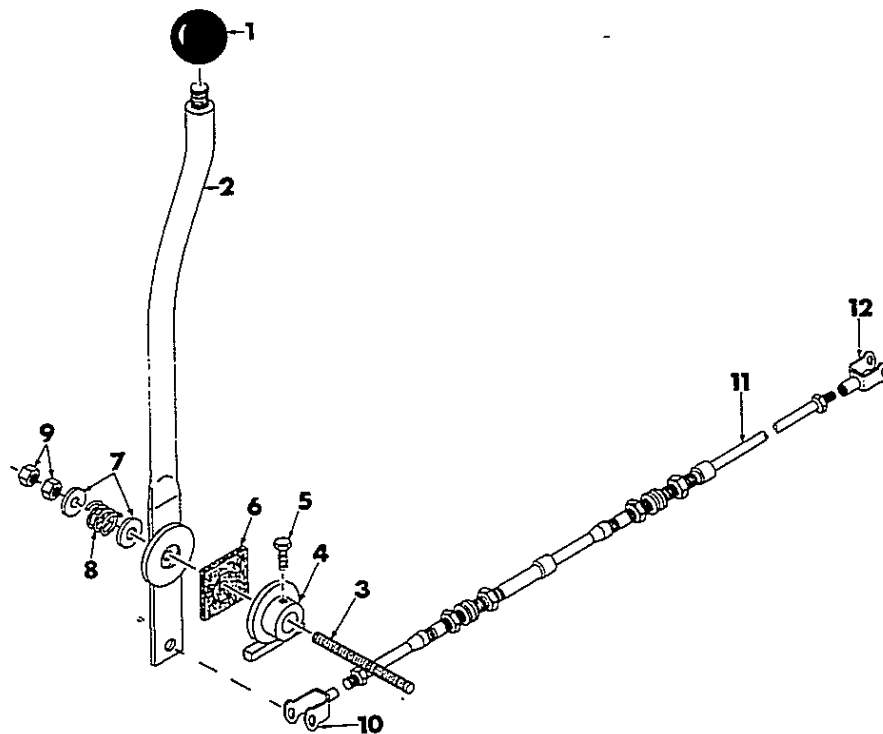


T103/133



1915

T132



2386

# THROTTLE AND DIESEL STOP CONTROL

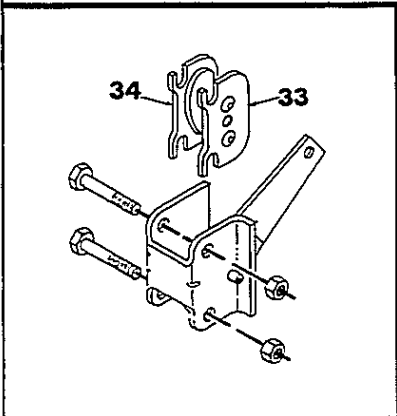
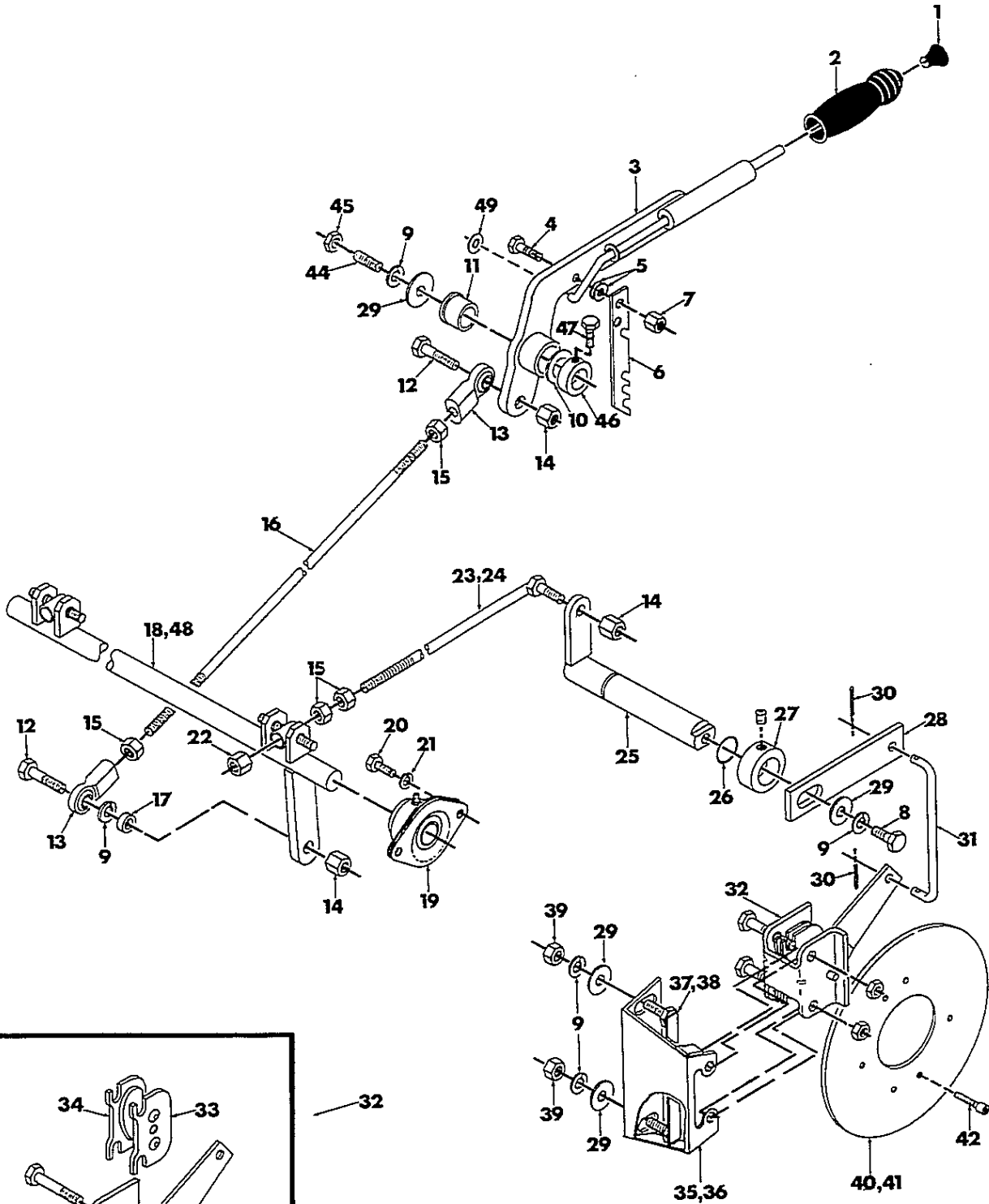
## T103/133

2.3

REF.	PART NO.	DESCRIPTION	QUANTITY		SERIAL NO.
			T103	T133	
1	38517	Throttle Handle Ball	1	1	
2	958051	Throttle Handle Ass'y.	1	1	
3	23193	Throttle Stud	1	1	
4	954897	Set Collar Ass'y.	1	1	
5	1341	Bolt 5/16" UNC 3/4" L.	1	1	
6	23371	Throttle Friction Pad	1	1	
7	1643	Plainwasher 3/8" Dia.	2	2	
8	7416	Spring 1/2" I.D. X 1" O.D. X 1" L.	1	1	
9	1194	Nut 3/8" UNC	2	2	
10	22966	1/4" Retaining Ring	1	1	
11	955529	Throttle Rod Assembly	1	—	
11	954710	Throttle Rod Assembly	—	1	
12	1190	Bolt 5/16" UNC X 1" L.	2	2	
13	1651	Plainwasher 5/16" Dia.	3	3	
14	1870	Springwasher 5/16" Dia.	2	2	
15	1191	Nut 5/16" UNC	2	2	
16	23096	Set Collar 1/4" Dia.	4	4	
17	23410	Stop Rod	1	1	
18	17670	L.H. Rod Clip	1	1	
19	31654	Throttle Bar	1	1	
20	2663	Bolt 1/4" UNC X 3/4" L.	1	1	
21	22559	Throttle Rod Support	2	2	
22	23772	Lock Nut 1/4" UNC "3-way AH"	1	1	
23	1650	Plainwasher 1/4" Dia	1	1	

## THROTTLE T132

REF.	PART NO.	DESCRIPTION	QUANTITY	SERIAL NO.
1	38517	Throttle Handle Ball	1	
2	955903	Throttle Handle Ass'y.	1	
3	23193	Throttle Stud	1	
4	954897	Set Coller Ass'y.	1	
5	1341	Bolt 5/16" UNC 3/4" L.	1	
6	23371	Throttle Friction Pad	1	
7	1643	Plainwasher 3/8" Dia.	2	
8	7416	Spring 1/2" I.D. X 1" O.D. X 1" L.	1	
9	1194	Nut 3/8" UNC	2	
10	32172	Yoke	1	
11	31650	Cable	1	
12	32173	Yoke	1	



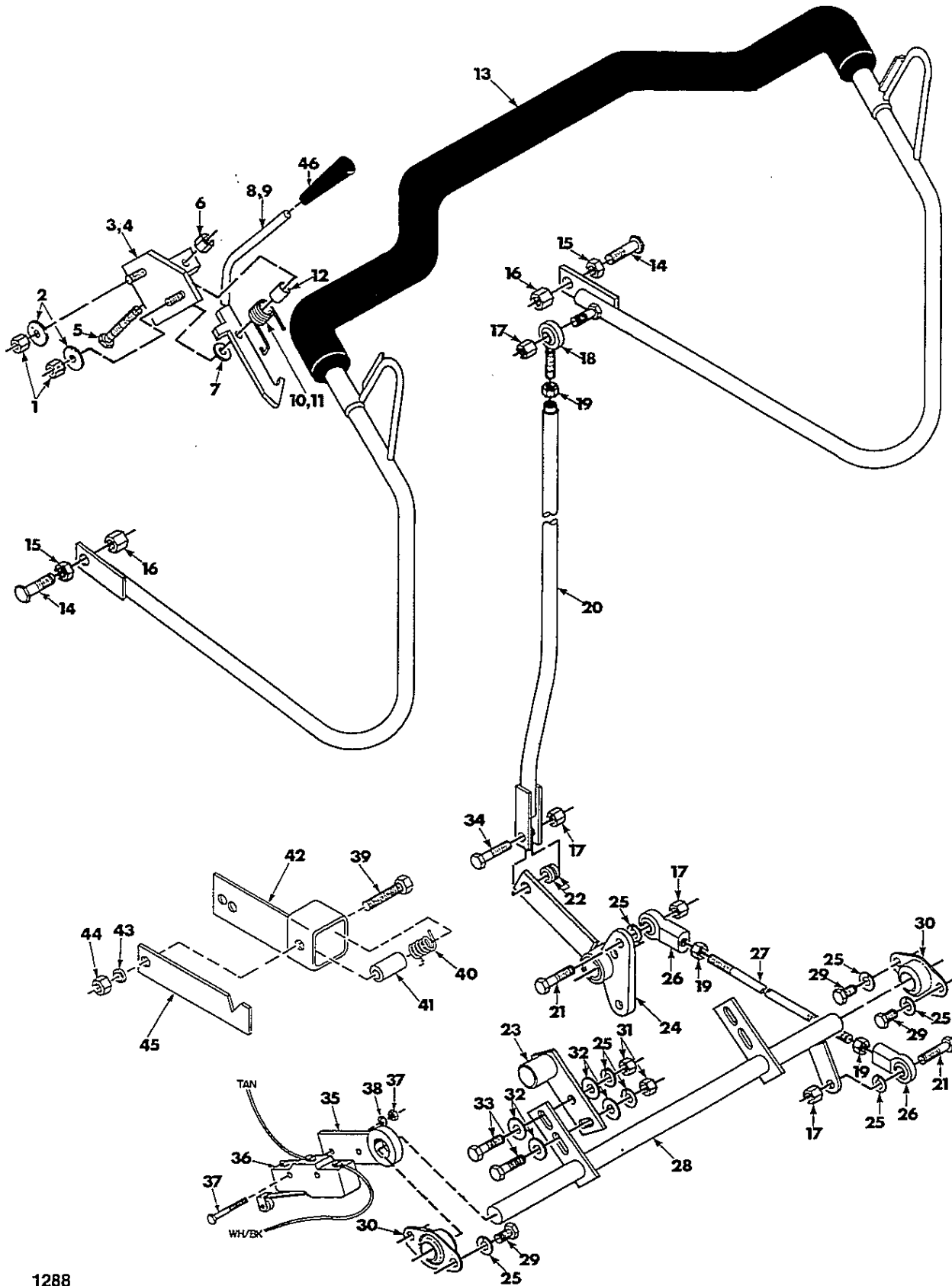
1236-1

# PARKING BRAKE

2.4

REF.	PART NO.	DESCRIPTION	QUANTITY		SERIAL NO.
			T103	T133	
1	25175	Lever Knob	1	1	
2	11841	Lever Grip	1	1	
3	955951	Brake Lever Assembly	1	1	
4	5170	Bolt 1/4" UNC x 1" L.	1	1	
5	1650	Plainwasher 1/4" Dia.	As Req'd.	As Req'd.	
6	30856	Parking Brake Lock	1	1	
7	6645	Nut 1/4" UNC Nylok	1	1	
8	1673	Bolt 3/8" UNC x 3/4" L.	2	2	
9	1642	Springwasher 3/8" Dia.	8	8	
10	17516	Washer 1 1/4" O.D. x 3/4" I.D. x 14 Ga.	1	2	
11	16989	Flange Bearing	1	1	
12	1672	Bolt 3/8" UNC x 1 1/2" L.	2	2	
13	5803	Female Rod End	2	2	
14	7465	Nut 3/8" UNC Nylok	4	4	
15	1898	Nut 3/8" UNF	6	6	
16	23678	Brake Handle Rod	1	1	
17	21174	Spacer	1	1	
18	955798	Brake Shaft Assembly	1	—	
19	24914	Brass Bushing Flange Bearing	2	2	
20	2338	Bolt 1/4" UNC x 1/2" L.	4	4	
21	2279	Springwasher 1/4" Dia.	4	4	
22	8598	Nut 3/8" UNF Nylok	2	2	
23	955544	R.H. Brake Rod Assembly	—	1	
24	955545	L.H. Brake Rod Assembly	2	1	
25	955539	Shaft Assembly	2	2	
26	22405	'O' Ring	2	2	
27	1064	1" Set Collar	2	2	
28	24267	Locking Bar	2	2	
29	1643	Plainwasher 3/8" Dia.	6	6	
30	1631	Split Pin 3/32" x 3/4" L.	4	4	
31	24266	Locking Rod	2	2	
32	23675	Brake Caliper Assembly	2	2	
33	24219	Outer Replacement Pad (Metallic)	2	2	
34	24218	Inner Replacement Pad (Metallic)	2	2	
35	959822	Disc Brake Bracket Assembly	2	—	
36	959823	Disc Brake Bracket Assembly	—	2	
37	955565	Bolt Assembly	2	—	
38	954902	Bolt Assembly	—	2	
39	1194	Nut 3/8" UNC	4	4	
40	24309	Brake Disc	2	—	
41	22603	Brake Disc	—	2	
42	15255	Socket Head Cap Screw	12	12	
*43	25372	Pivot Bushing	2	2	
44	4851	Stud 3/8" UNC x 2" L.	1	1	
45	23264	3/8" UNC AH 3-Way Locknut	1	1	
46	4842	3/4" I.D. Set Collar	1	1	
47	1341	Bolt 5/16" UNC x 3/4" L.	1	1	
48	955798	Brake Shaft Assembly	—	1	
49	22966	1/4" Retaining Ring	1	1	

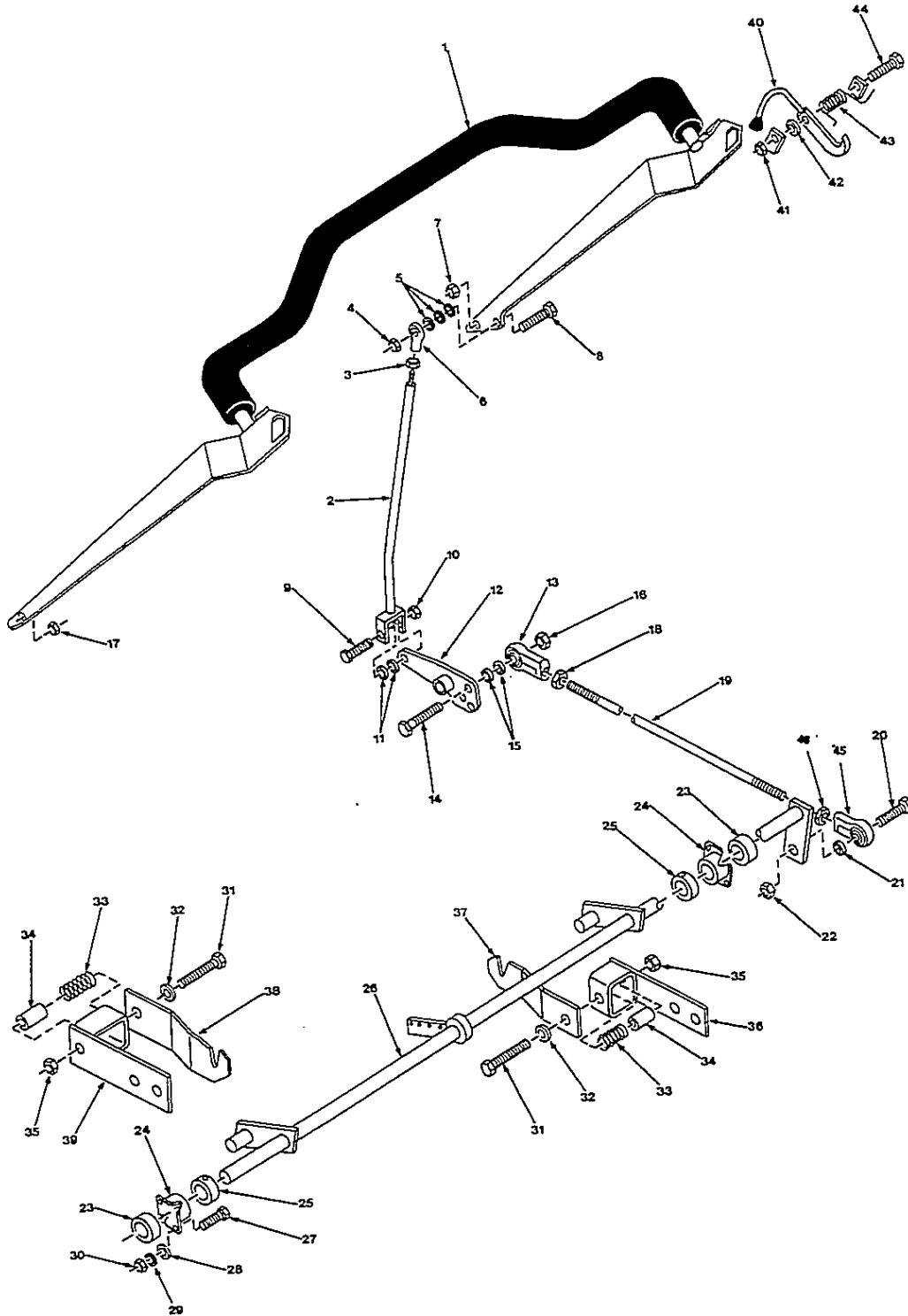
\*Not as illustrated



# SEAT BAR & NEUTRAL CENTERING DEVICE

2.5.1

REF.	PART NO.	DESCRIPTION	QUANTITY		SERIAL NO.
			T103	T133	
1	16771	5/16" Dia. UNC Nylok Nut	4	4	
2	26108	Plainwasher 5/16" Dia. I.D. x 1" O.D.	4	4	
3	955904	R.H. Latch Mount Ass'y.	1	1	
4	955905	L.H. Latch Mount Ass'y.	1	1	
5	29249	Bolt 1/4" Dia. x 2 1/4" L. Cad. Pl.	2	2	
6	6645	Nylok Nut 1/4" Dia.	2	2	
7	8154	Nylon Washer 1/4" Dia.	2	2	
8	955909	R.H. Hook Latch Ass'y.	1	1	
9	956349	L.H. Hook Latch Ass'y.	1	1	
10	955791	R.H. Latch Spring Ass'y.	1	1	
11	955790	L.H. Latch Spring Ass'y.	1	1	
12	29248	Spring Bushing	2	2	
13	955914	Restraint Ass'y.	1	1	TO LC000585 TO LE003704
13	958924	Restraint Ass'y.	1	1	LC000586 - ONWARD LE003705 - ONWARD
14	956020	Low Head Bolt Ass'y.	2	2	TO LC000585 TO LE003704
14	20856	HEX. BOLT 1/2" x 1"	2	2	LC000586 - ONWARD LE003705 - ONWARD
15	1024	1/2" UNC Nut	2	2	TO LC000585 TO LE003704
15	20860	Nut, Hex. 1/2" UNC	2	2	LC000586 - ONWARD LE003705 - ONWARD
16	8613	1/2" Nylok Nut	2	2	
17	7465	Nylok Nut 3/8" Dia.	4	4	
18	15880	Male Rod End	1	1	
19	1898	Nut 3/8" UNF	3	3	
20	956164	Linkage Tube Ass'y.	1	1	
21	1672	Bolt 3/8" UNC x 1 1/2" L.	2	2	
22	21174	Spacer	2	2	
23	955241	Lock Guide Ass'y.	10	10	
24	956192	Linkage Mount Ass'y.	1	1	
25	1642	Springwasher 3/8"	8	8	
26	5803	Female Rod End	2	2	
27	17226	Linkage Rod 13 5/8"	1	1	
28	955004	Cross Shaft Ass'y.	1	1	
29	3469	Bolt 3/8" UNC x 1/2" L.	4	4	
30	959817	Nylok Bearing	2	2	
31	1194	Nut 3/8" UNC	8	8	
32	1643	Plainwasher 3/8"	4	4	
33	1387	Bolt 3/8" UNC x 1 1/4" L.	4	4	
34	25083	Bolt 3/8" UNC x 1 3/4" L. Cad. Pl.	1	1	
35	957594	Neutral Switch Mount	1	1	
36	26857	Neutral Safety Switch	1	1	
37	27011	Bolt with Nut	2	2	
38	27013	Lockwasher	2	2	
39	14620	Bolt 3/8" x 2 1/2" L.	—	2	LE003828-ONWARD
40	956137	Spring Assembly	—	2	LE003828-ONWARD
41	23012	Bushing 3/8" O.D. x 14" GA. x 1" L.	—	2	LE003828-ONWARD
42	956714	Pivot Assembly (Long)	—	1	LE003828-ONWARD
42	956712	Pivot Assembly (Short)	—	1	LE003828-ONWARD
43	1643	Plainwasher 3/8" Dia.	—	2	LE003828-ONWARD
44	7465	Nut 3/8" UNC Nylok	—	2	LE003828-ONWARD
45	29982	Straight Long Arm	—	2	LE003828-ONWARD
46	32319	Knob	2	2	





# SEAT BAR & NEUTRAL CENTERING DEVICE

2.5.2

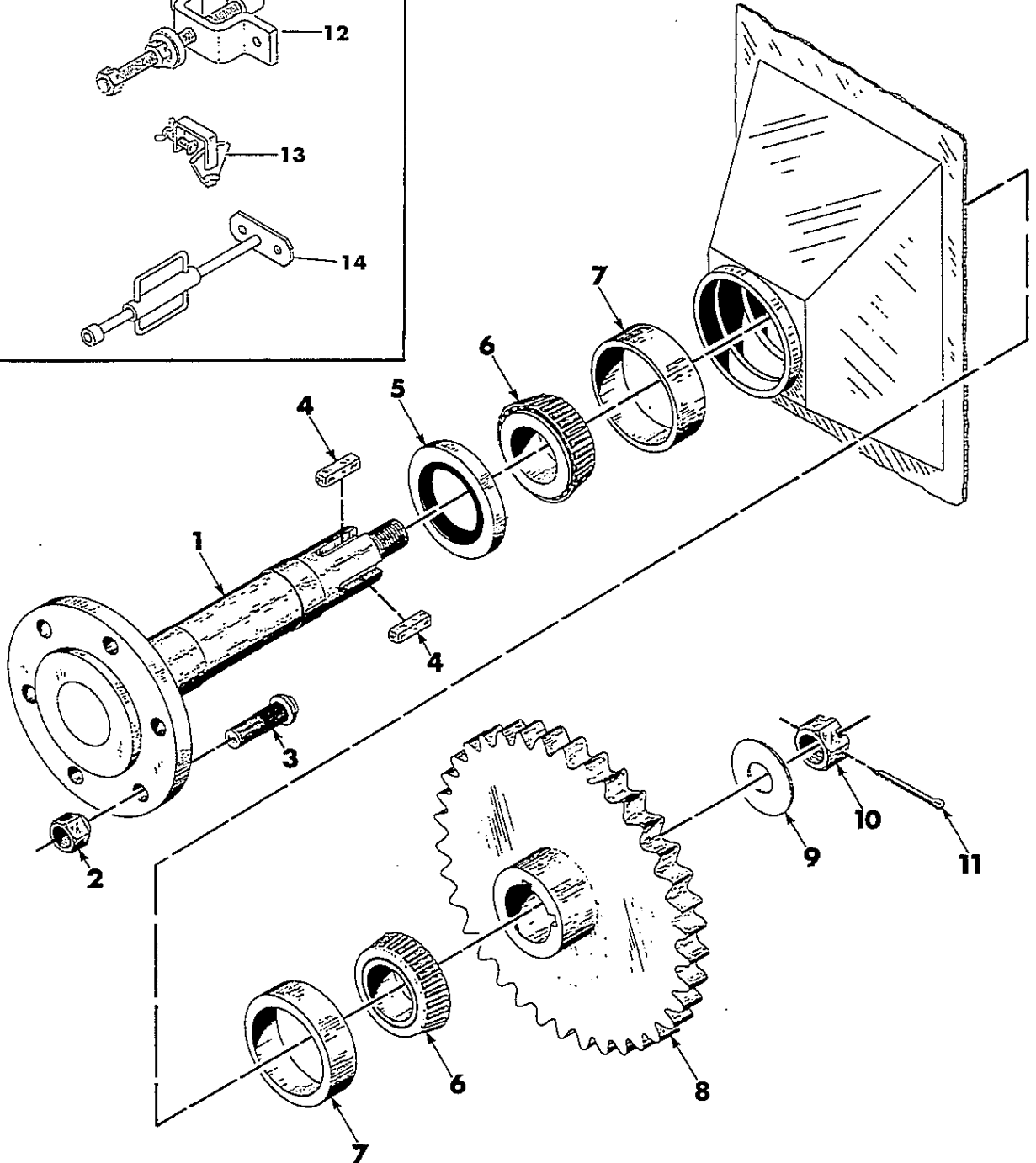
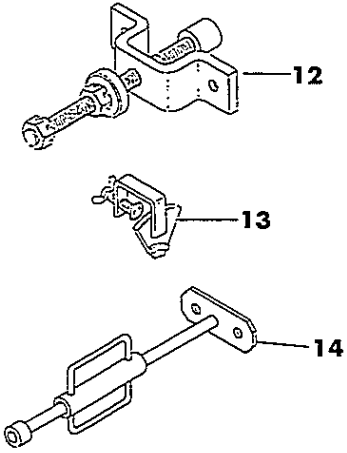
REF.	PART NO.	DESCRIPTION	QUANTITY		SERIAL NO.
			T103	T133	
1	958924	Restraint Bar Assembly	1	1	
2	956164	Restraint Bar Rod	1	1	
3	1898	Nut	1	1	
4	7465	Nut	1	1	
5	21174	Washer	3	3	
6	15880	Rod End	1	1	
7	8613	Nut	1	1	
8	8280	Bolt	1	1	
9	1387	Bolt	1	1	
10	7465	Nut	1	1	
11	21174	Washer	2	2	
12	959084	Linkage Mount Ass'y	1	1	
13	5803	Rod End, R.H.	1	1	
14	8280	Bolt	1	1	
15	21174	Washer	2	2	
16	7465	Nut	1	1	
17	8613	Nut	1	1	
18	1898	Nut 3/8" UNF R.H.	1	1	
19	34511	Linkage Rod	1	1	
20	1672	Bolt	1	1	
21	21174	Washer	3	3	
22	7465	Nut	1	1	
23	N.S.P	Set Collar	-	-	
24	29065	Flange Bearing	2	2	
25	29066	Set Collar	2	2	
26	959031	Pintle Lock Ass'y	1	1	
27	2663	Bolt	4	4	
28	1650	Washer	4	4	
29	2279	Washer Lock	4	4	
30	6645	Nut	2	2	
31	14620	Bolt	2	2	
32	1642	Washer	2	2	
33	956138	Spring Assembly	2	2	
34	23012	Bushing	2	2	
35	7465	Nut	2	2	
36	956712	Pivot Assembly	1	1	
37	37850	Lock Bar (Pintle Lever)	1	1	
38	37850	Lock Bar (Pintle Lever)	1	1	
39	959085	Pivot Assembly	1	1	
40	958227	R.H Hook Latch Assembly	1	1	
40	958226	L.H Hook Latch Assembly	1	1	
41	6645	Nut	4	4	
42	8154	Washer	2	2	
43	955791	L.H. Spring Latch Assembly	1	1	
43	955790	R.H. Spring Latch Assembly	1	1	
44	29249	Bolt	2	2	
45	35043	Rod End L.H.	1	1	
46	35316	Nut 3/8" UNF L.H.	1	1	

**FINAL DRIVE TRANSMISSION 3.**

B-6	Axle Assembly .....	3.1
B-7	Chain Tightener Assembly .....	3.2



### SPECIAL TOOLS



# AXLE ASSEMBLY - T103

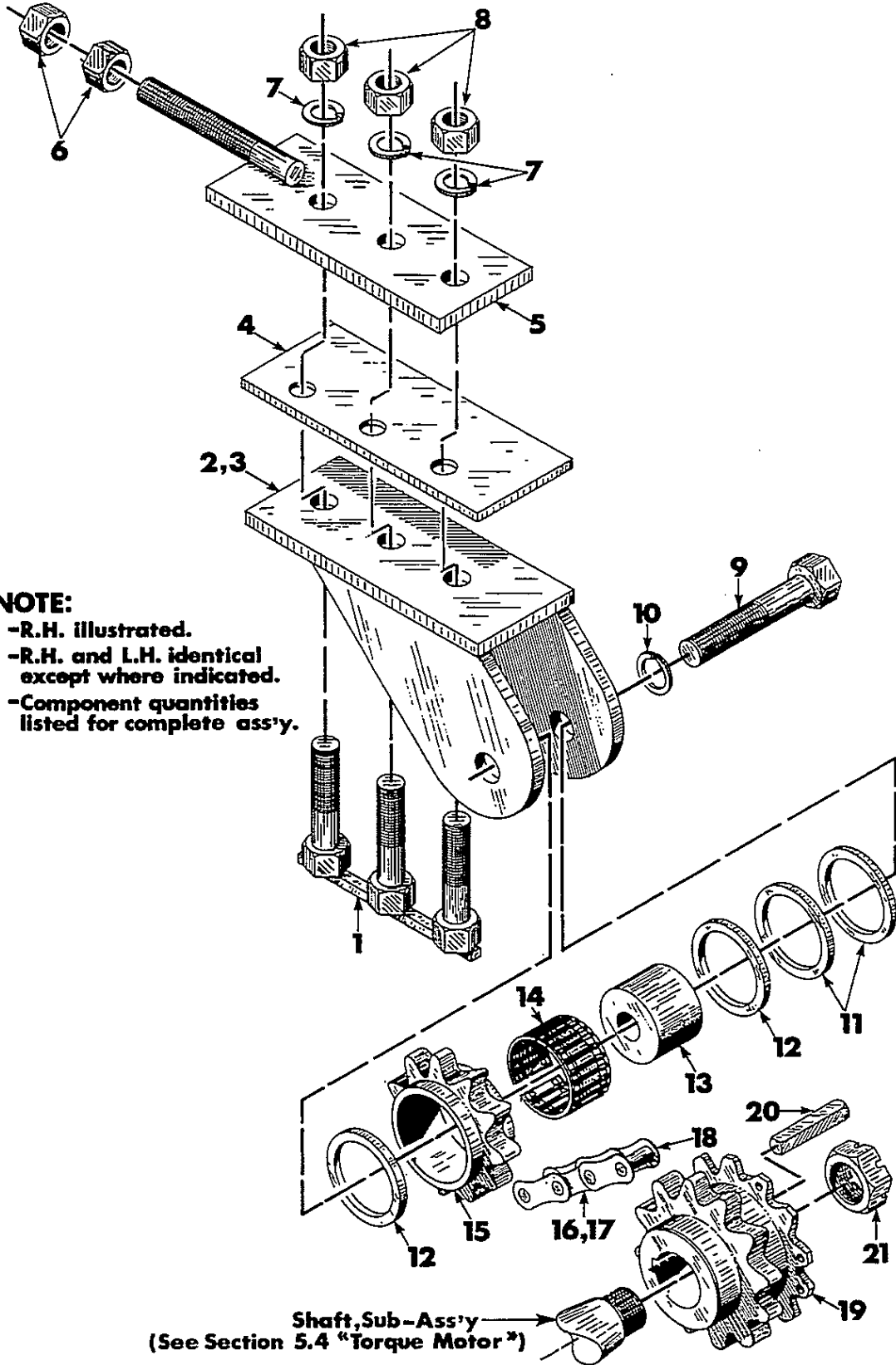
3.1

REF.	PART NO.	DESCRIPTION	QUANTITY	SERIAL NO.
1	959639	Axle Ass'y (Studs included)	4	
2	5832	Machined Wheel Nut	24	
3	26188	Wheel Stud	24	
4	22379	Key 1/2" X 2 1/4" L.	8	
5	3667	Oil Seal	4	
6	3665	Bearing	8	
7	5968	Race	8	
8	24306	Axle Sprocket 30T - No. 80	4	
9	22448	Axle Washer	4	
10	14877	Castle Nut 1" UNF	4	
11	6318	Split Pin 5/32" X 1 1/2" L.	4	TO LC000395
11	1634	Split Pin 3/16" X 1 1/2" L.	4	LC000396 - onward
12	955280	Axle Installation Tool	1	
13	955281	Seal Installation Tool	3	
14	955283	Axle Remover	1	
*15	959209	Inspection Cover	1	TO LC000616
*15	22463	Inspection Cover	1	LC000617 - onward
*16	35266	Plug, 2" B.I.	1	

\* Not illustrated

# AXLE ASSEMBLY - T133

REF.	PART NO.	DESCRIPTION	QUANTITY	SERIAL NO.
1	959639	Axle Ass'y (Studs included)	4	TO LE005284
1	960437	Axle Ass'y (Studs included)	4	LE005285 - onward
2	5832	Machined Wheel Nut	24	
3	26188	Wheel Stud	24	
4	22379	Key 1/2" X 2 1/4" L.	12	
5	3667	Oil Seal	4	
6	3665	Bearing	8	
7	5968	Race	8	
8	31058	Axle Sprocket 28T - No. 100	4	
9	22448	Axle Washer	4	
10	14877	Castle Nut 1" UNF	4	
11	6318	Split Pin 5/32" X 1 1/2" L.	4	TO LE001253
11	1634	Split Pin 3/16" X 1 1/2" L.	4	LC01254 - onward
12	955280	Axle Installation Tool	1	
13	955281	Seal Installation Tool	3	
14	955283	Axle Remover	1	
15	959209	Inspection Cover	1	TO LE003986
15	22463	Inspection Cover	1	LE003987 - onward
16	35266	Plug, 2" B.I.	1	



# CHAIN TIGHTENER ASSEMBLY — T103

3.2

REF.	PART NO.	DESCRIPTION	QUANTITY T103	SERIAL NO.
1	955364	Tightener Bolt Ass'y.	2	TO LC000292
1	954785	Tightener Bolt Ass'y. (Includes Flange Nuts)	2	LC000293 - onward
2	955383	R.H. Idler Support Ass'y.	1	TO LC000292
2	954623	R.H. Idler Support Ass'y.	1	LC000293 - onward
3	955382	L.H. Idler Support Ass'y.	1	TO LC000292
3	954622	L.H. Idler Support Ass'y.	1	LC000293 - onward
4	24579	Support Plate	2	TO LC000292
4	22467	Support Plate	2	LC000293 - onward
5	955374	Chain Tightener Adjuster	2	TO LC000292
5	954621	Chain Tightener Adjuster	2	LC000293 - onward
6	1149	Nut 5/8" UNC	4	
7	24714	Springwasher 1/2" Dia. (Extra Duty)	6	TO LC000292
8	24713	Nut 1/2" UNC Gr. 8	6	TO LC000292
8	33547	Flange Nut 5/8" UNC	6	LC000293 - onward
9	23256	Bolt 3/4" UNC x 3 1/4" L. (Fedalloy)	2	
10	23258	Springwasher 3/4" Dia. (Fedalloy)	2	
11	24942	Washer 3" O.D. x 2" I.D. x 10 Ga.	4	
12	22960	Thrust Washer	4	
13	19813	Idler Shaft	2	
*14	24834	Oilite Bearing	2	LC000100-LC000495
14	22950	Cage Roller Bearing (1)	2	LC000496-ONWARD
15	24308	Idler Sprocket 13T — No. 80	2	
16	25039	R.H. RS80 Chain — 125 Links	1	
17	25039	L.H. RS80 Chain — 125 Links	1	
18	16855	No. 80 Connector Link	2	
19	24307	Drive Sprocket 11T — No. 80	2	
20	24986	Key	2	
21	18859	Nut	2	
*22	959849	Chain Tension Gauge	1	

\*Not as illustrated

# CHAIN TIGHTENER ASSEMBLY — T133

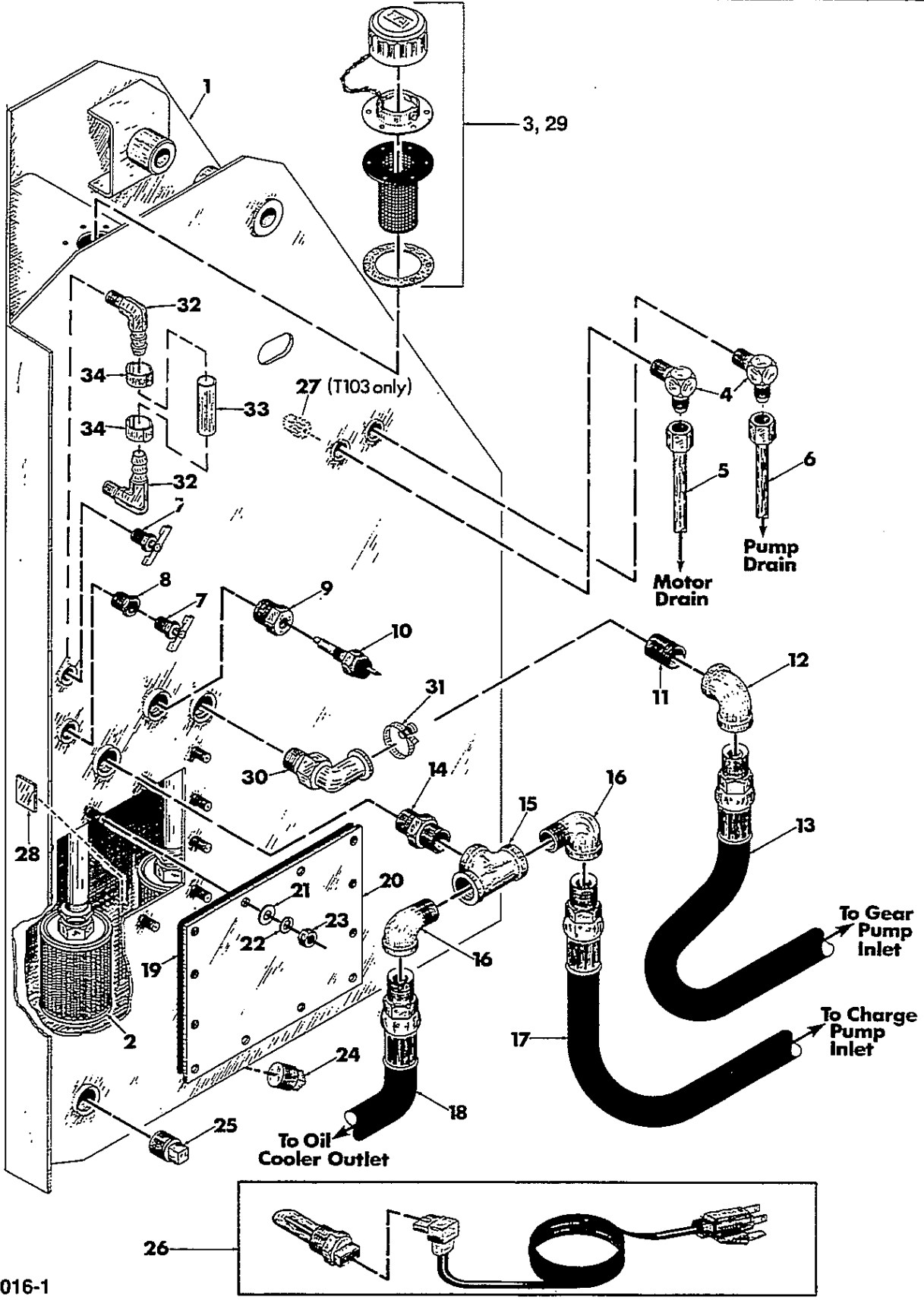
REF.	PART NO.	DESCRIPTION	QUANTITY T133	SERIAL NO.
1	954785	Tightener Bolt Ass'y. (Includes Flange Nuts)	2	
2	954623	R.H. Idler Support Ass'y.	1	
3	954622	L.H. Idler Support Ass'y.	1	
4	22467	Support Plate	2	
5	954621	Chain Tightener Adjuster	2	
6	1149	Nut 5/8" UNC	4	
8	33547	Flange Nut 5/8" UNC	6	
9	23256	Bolt 3/4" UNC x 3 1/4" L. (Fedalloy)	2	
10	23258	Springwasher 3/4" Dia. (Fedalloy)	2	
11	24942	Washer 3" O.D. x 2" I.D. x 10 Ga.	4	
12	22960	Thrust Washer	4	
13	19813	Idler Shaft	2	
14	22950	Cage Roller Bearing	2	
15	22302	Idler Sprocket 10T — No. 100	2	
16	23706	R.H. RS100 Chain — 113 Links including Conn.	1	
17	23707	L.H. RS100 Chain — 103 Links including Conn.	1	
18	32907	No. 100 Connector Link, Press Fit	As Req'd.	
19	22303	Drive Sprocket 11T — No. 100	2	
20	22075	Key	2	
21	22071	Nut	2	
*22	959849	Chain Tension Gauge	1	

(1) For machines prior to S/N LC000496 the Sprocket Item 15 must be changed with the bearing

## HYDRAULIC SYSTEM 4.

B-8	Oil Reservoir.....	4.1
B-9	Boom Lift Circuit.....	4.2
B-10	Boom Lift Circuit.....	4.2.1
B-11	Boom Lift Circuit.....	4.2.2
B-12	Bucket Tilt Circuit.....	4.3
C-1	Bucket Tilt Circuit.....	4.3.1
C-2	Bucket Tilt Circuit.....	4.3.2
C-3	Auxiliary Hydraulic Circuit.....	4.4
C-4	Auxiliary Hydraulic Circuit.....	4.4.1
C-5	Auxiliary Hydraulic Circuit.....	4.4.2
C-6	Auxiliary Gear Pump.....	4.5
C-7	Control Valve and Stabilizer Assembly.....	4.6
C-8	Control Valve.....	4.7
C-9	Valve, Hi-Flow Units.....	4.7.1
C-10	Electro Solenoid.....	4.7.2
C-11	Lift Cylinders.....	4.8.1
C-12	Tilt Cylinder.....	4.8.2
D-1	Oil Cooler, Filter and Fittings.....	4.9
D-2	Self Level Valve (optional).....	4.10

HYDRAULIC  
SYSTEM





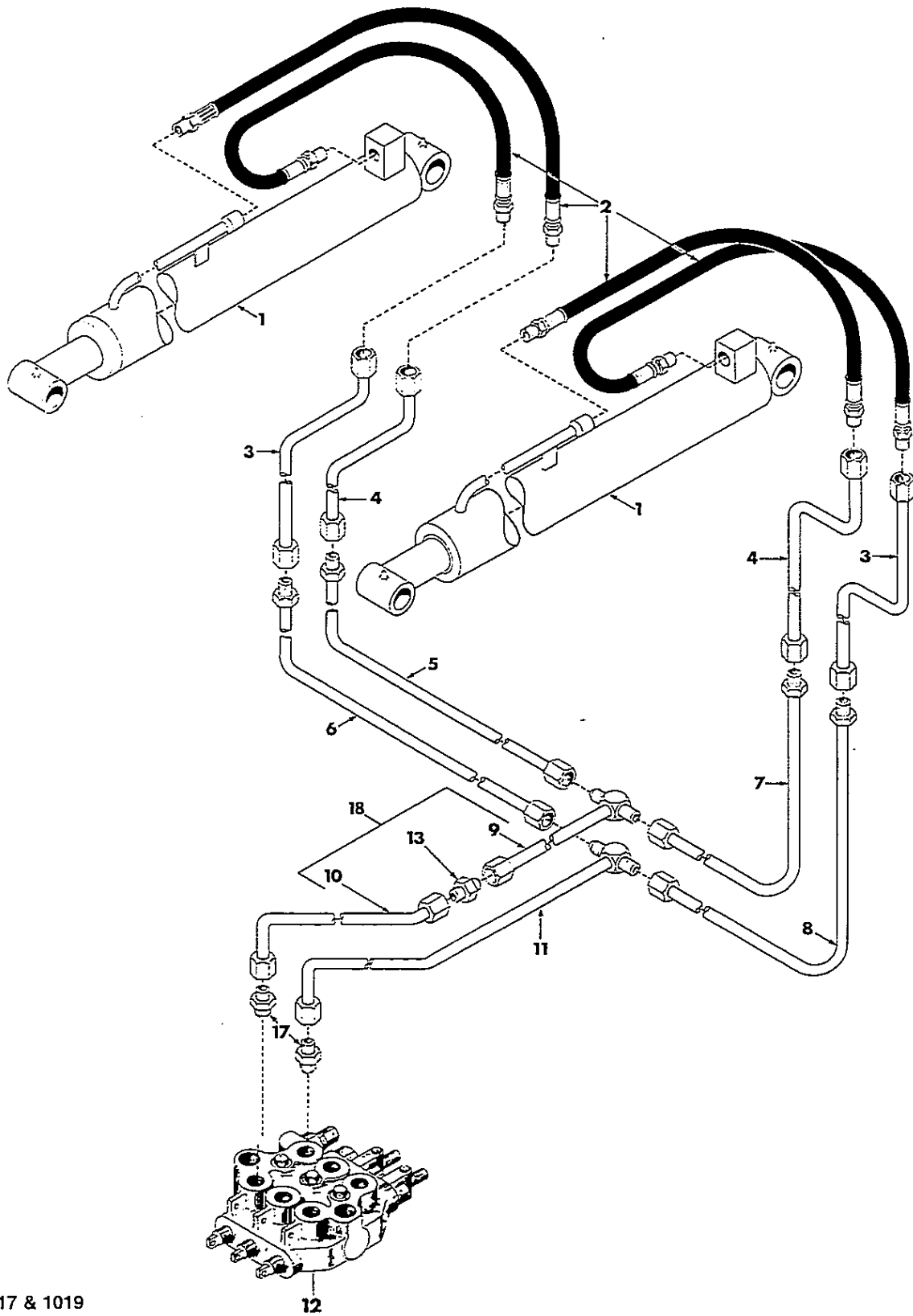
**BOOM LIFT CIRCUIT —  
T103 SERIAL NO. LC 000210 - LC 000256**

**4.2**

REF.	PART NO.	DESCRIPTION	QUANTITY T103	SERIAL NO.
1		Lift Cylinder	2	
2	954956	Hyd. Hose 1/4" Dia. x 23 1/2" L.	4	
3	23349	Hyd. Pipe 3/8" Dia.	2	
4	23345	Hyd. Pipe 3/8" Dia.	2	
5	23344	Hyd. Pipe 3/8" Dia.	1	
6	23348	Hyd. Pipe 3/8" Dia.	1	
7	23343	Hyd. Pipe 3/8" Dia.	1	
8	23347	Hyd. Pipe 3/8" Dia.	1	
9	23342	Hyd. Pipe 3/8" Dia.	1	
10	23346	Hyd. Pipe 3/8" Dia.	1	
11	21128	3/8" JIC x 1/2" ORB x 90° Conn.	2	
12	956262	Control Valve	1	
13	956076	Hyd. Hose 21" L.	2	
14	956362	Hyd. Hose 11 1/2" L.	1	
15	15648	3/4" NPSM x 5/8" ORB Conn.	2	
16	954955	Hyd. Hose 3/4" NPT x 61 1/2" L.	1	

**BOOM LIFT CIRCUIT —  
T133 SERIAL NO. LE 000537 - LE 000718**

REF.	PART NO.	DESCRIPTION	QUANTITY T-133	SERIAL NO.
1		Lift Cylinder	2	
2	954956	Hyd. Hose 1/4" Dia. x 23 1/2" L.	4	
3	23349	Hyd. Pipe 3/8" Dia.	2	
4	23345	Hyd. Pipe 3/8" Dia.	2	
5	23344	Hyd. Pipe 3/8" Dia.	1	
6	23348	Hyd. Pipe 3/8" Dia.	1	
7	23343	Hyd. Pipe 3/8" Dia.	1	
8	23347	Hyd. Pipe 3/8" Dia.	1	
9	23342	Hyd. Pipe 3/8" Dia.	1	
10	23346	Hyd. Pipe 3/8" Dia.	1	
11	21128	3/8" JIC x 1/2" ORB x 90° Conn.	2	
12	956262	Control Valve	1	
13	956076	Hyd. Hose 21" L.	2	
14	956362	Hyd. Hose 11 1/2" L.	1	
15	15648	3/4" NPSM x 5/8" ORB Conn.	2	
16	954955	Hyd. Hose 3/4" NPT x 61 1/2" L.	1	



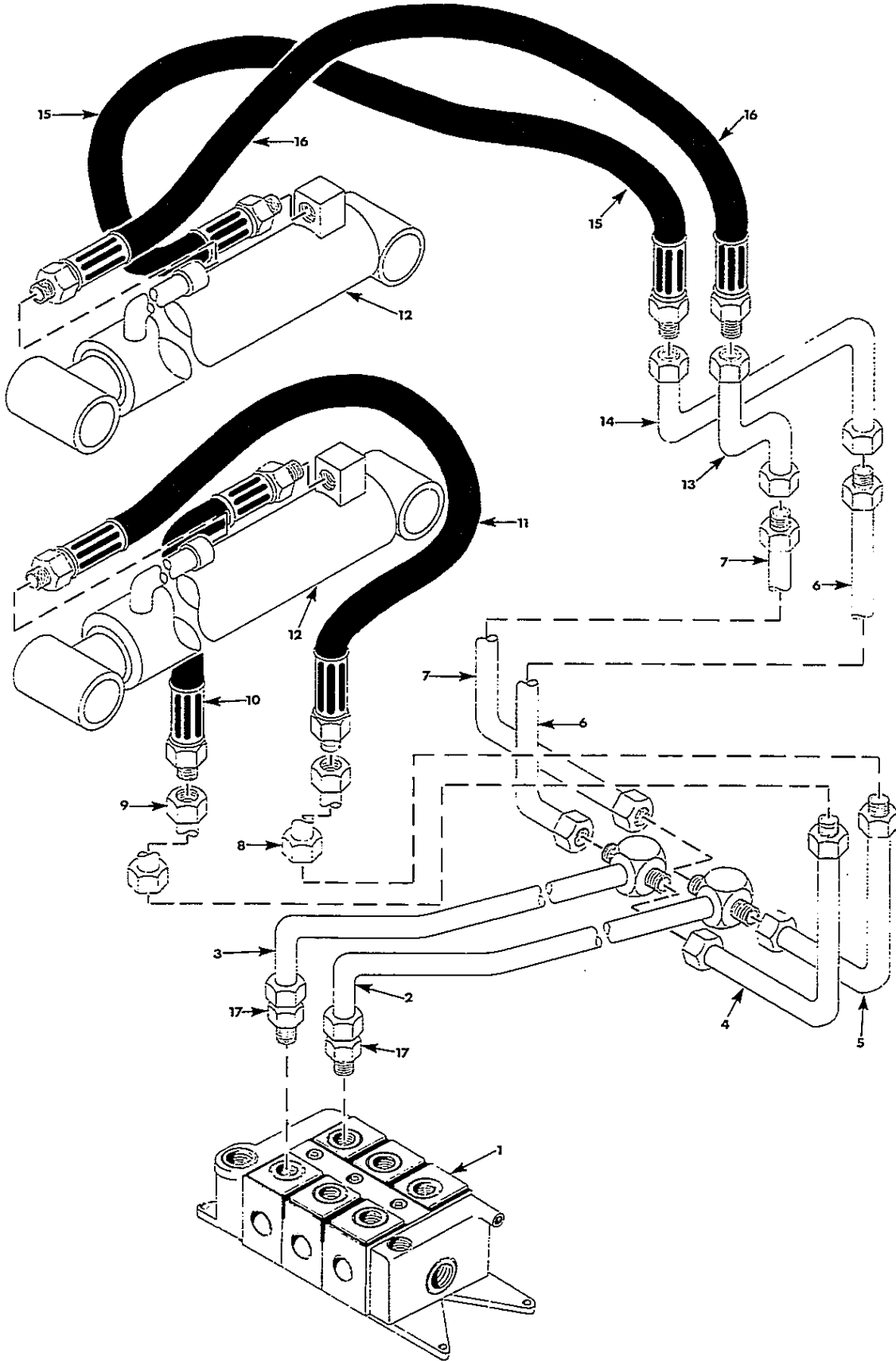
# T103 - BOOM LIFT CIRCUIT SERIAL NO. LC 000256 ONWARD

4.2.1

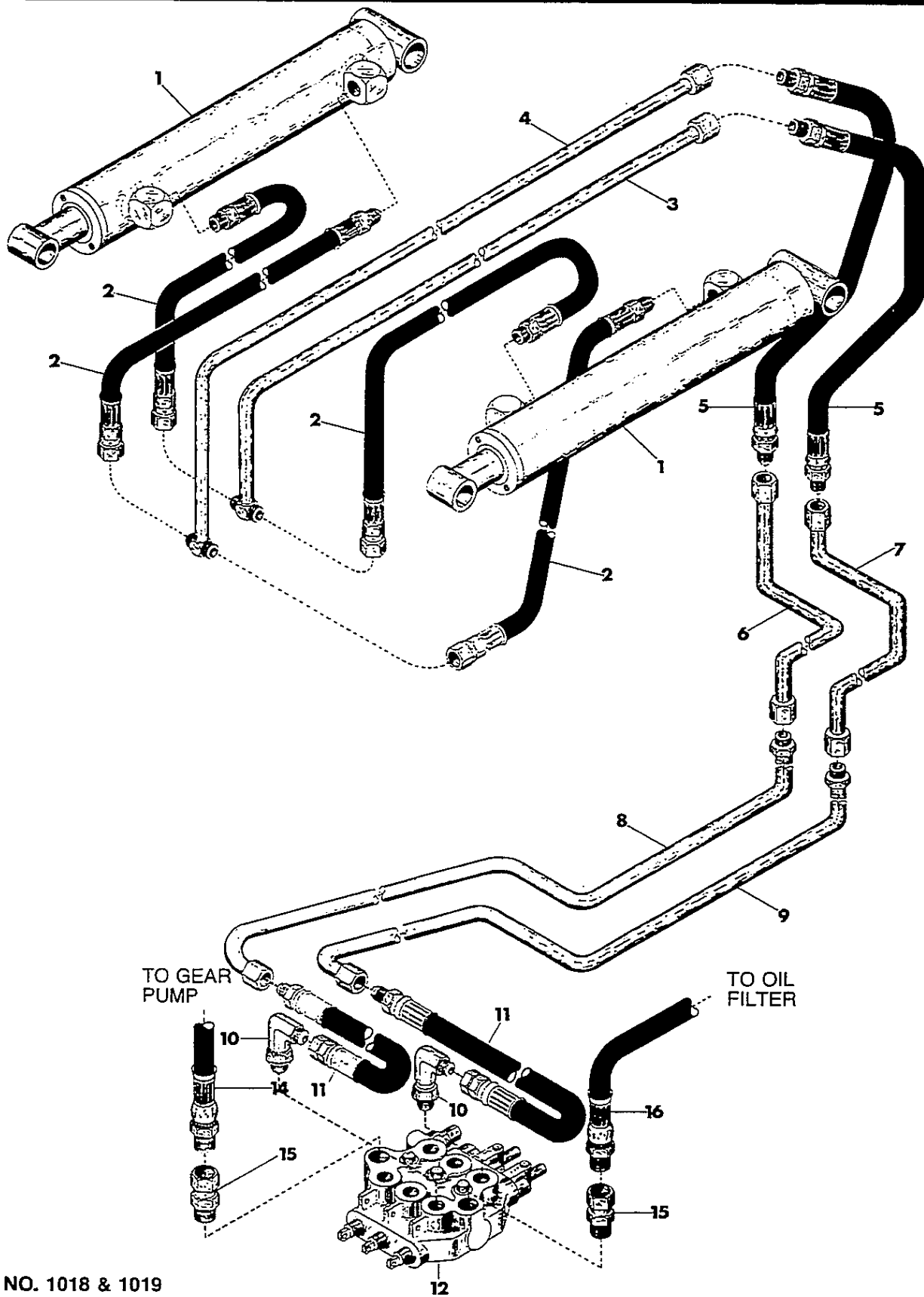
REF.	PART NO.	DESCRIPTION	QUANTITY T103	SERIAL NO.
1		Lift Cylinder	2	
2	956201	Hyd. Hose 3/8" I.D. X 23 1/2" L.	4	
3	25973	Hyd. Pipe 1/2" O.D.	2	
4	25960	Hyd. Pipe 1/2" O.D.	2	
5	25959	Hyd. Pipe 1/2" O.D.	1	
6	25972	Hyd. Pipe 1/2" O.D.	1	
7	25961	Hyd. Pipe 1/2" O.D.	1	
8	25974	Hyd. Pipe 1/2" O.D.	1	
9	25958	Hyd. Pipe 1/2" O.D.	1	
10	25970	Hyd. Pipe 1/2" O.D.	1	
11	37826	Hyd. Pipe 1/2" O.D.	1	
12	956262	Control Valve	1	
13	26167	Hyd. Fitting 1/2" JIC.	1	
14	956362	Hyd. Hose 11 1/2" L.	1	
15	15648	3/4" NPSM X 5/8" ORB Connector	2	
16	957306	Hyd. Hose 3/4" NPT X 62 1/2" L.	1	
17	19238	Hyd. Connector 1/2" JIC X 1/2" ORB	2	
18	29843	Hyd. Pipe 1/2" O.D. (Replaces items 9, 10 & 13)	1	

# T133 - BOOM LIFT CIRCUIT LE000718 - LE004378

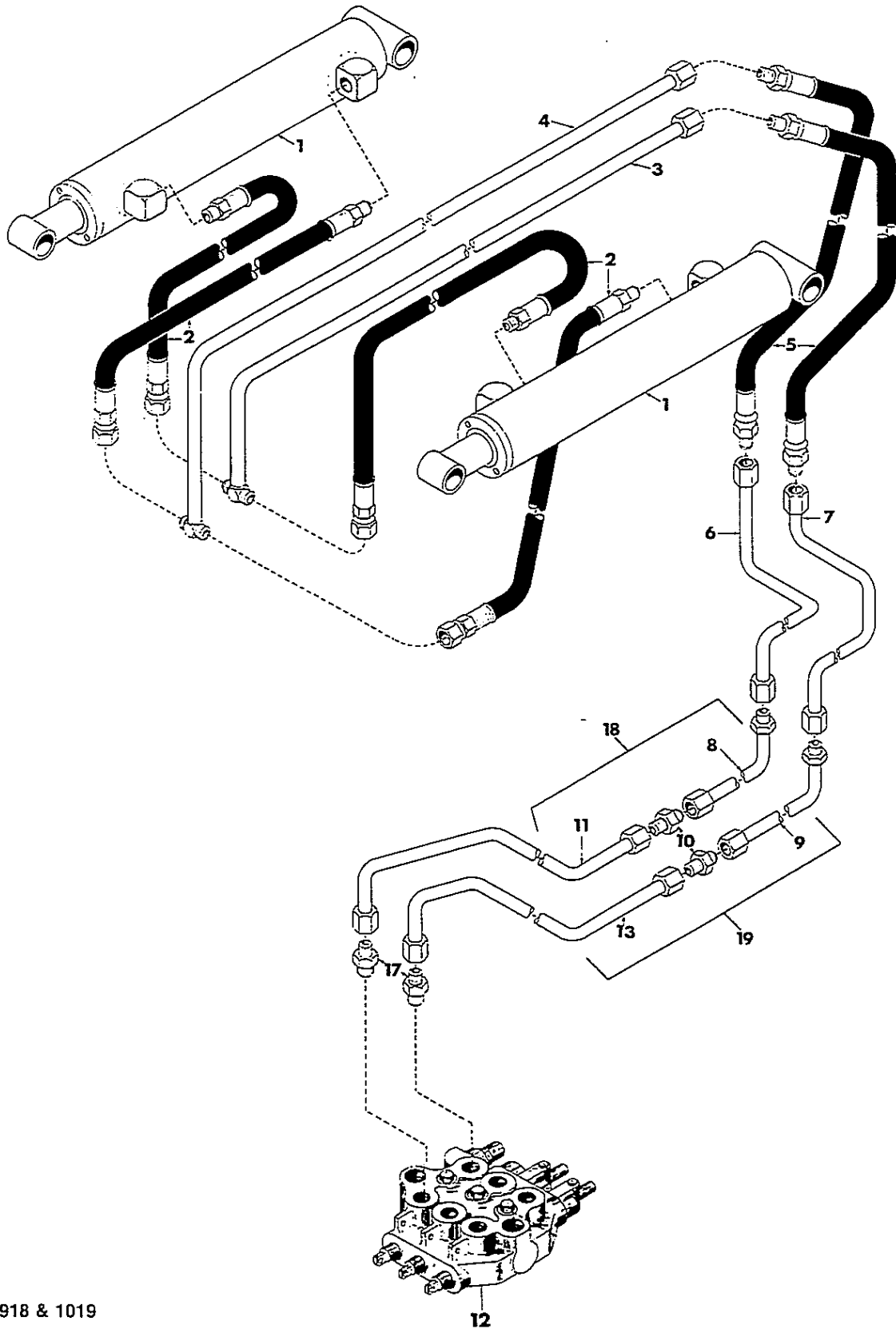
REF.	PART NO.	DESCRIPTION	QUANTITY T133	SERIAL NO.
1		Lift Cylinder	2	
2	956201	Hyd. Hose 3/8" I.D. X 23 1/2" L.	4	
3	25973	Hyd. Pipe 1/2" O.D.	2	
4	25960	Hyd. Pipe 1/2" O.D.	2	
5	25959	Hyd. Pipe 1/2" O.D.	1	
6	25972	Hyd. Pipe 1/2" O.D.	1	
7	25961	Hyd. Pipe 1/2" O.D.	1	
8	25974	Hyd. Pipe 1/2" O.D.	1	
9	25958	Hyd. Pipe 1/2" O.D.	1	
10	25970	Hyd. Pipe 1/2" O.D.	1	
11	37826	Hyd. Pipe 1/2" O.D.	1	
12	956262	Control Valve	1	
13	26167	Hyd. Fitting 1/2" JIC.	1	
14	956361	Hyd. Hose 9 7/8" L.	1	
15	15648	3/4" NPSM X 5/8" ORB Connector	2	
16	957306	Hyd. Hose 3/4" NPT X 62 1/2" L.	1	
17	19238	Hyd. Connector 1/2" JIC X 1/2" ORB	2	
18	29843	Hyd. Pipe 1/2" O.D. (Replaces items 9, 10 & 13)	1	













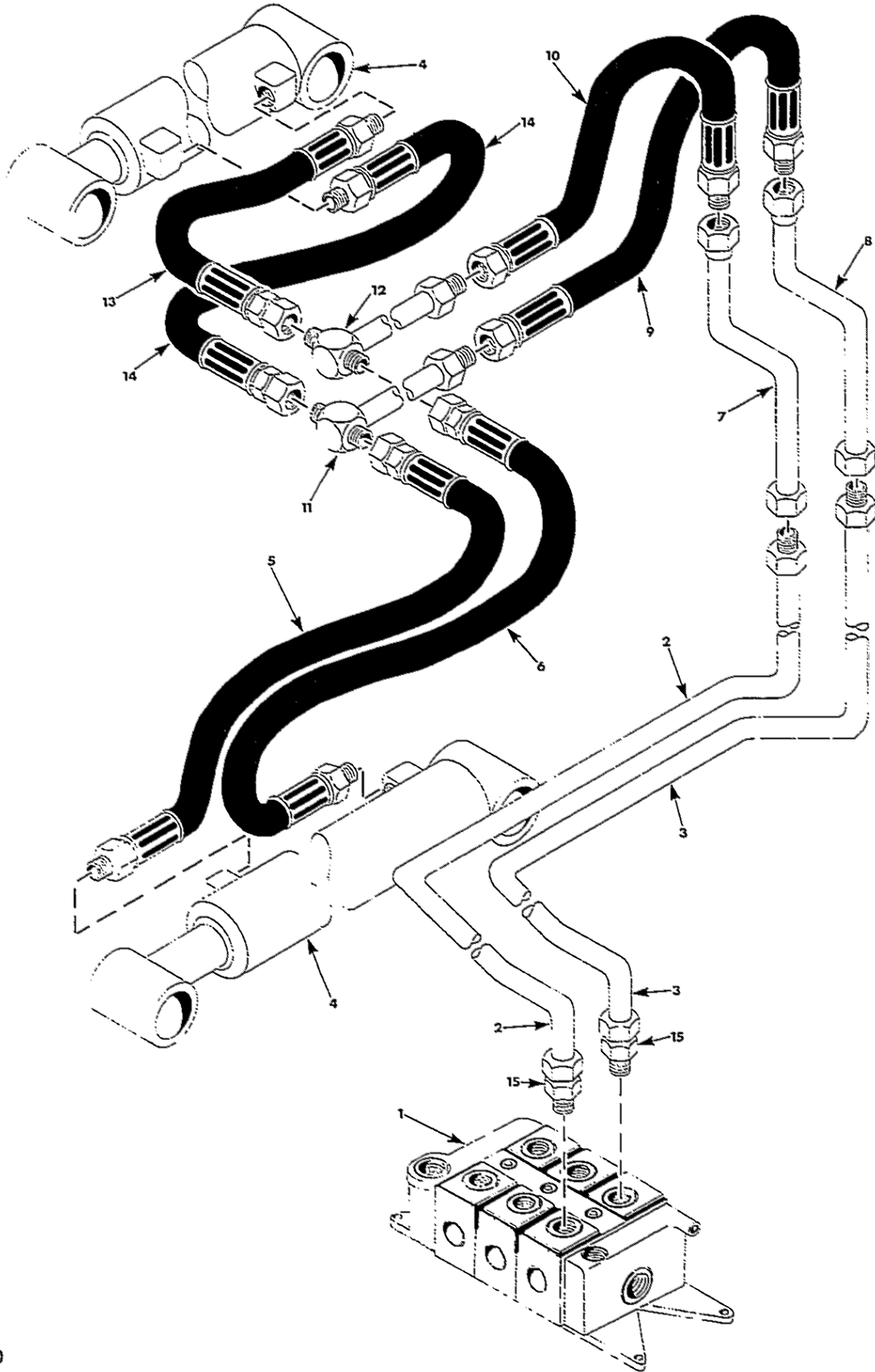
# T103 - BUCKET TILT CIRCUIT SERIAL NO. LC 000256 ONWARD

4.3.1

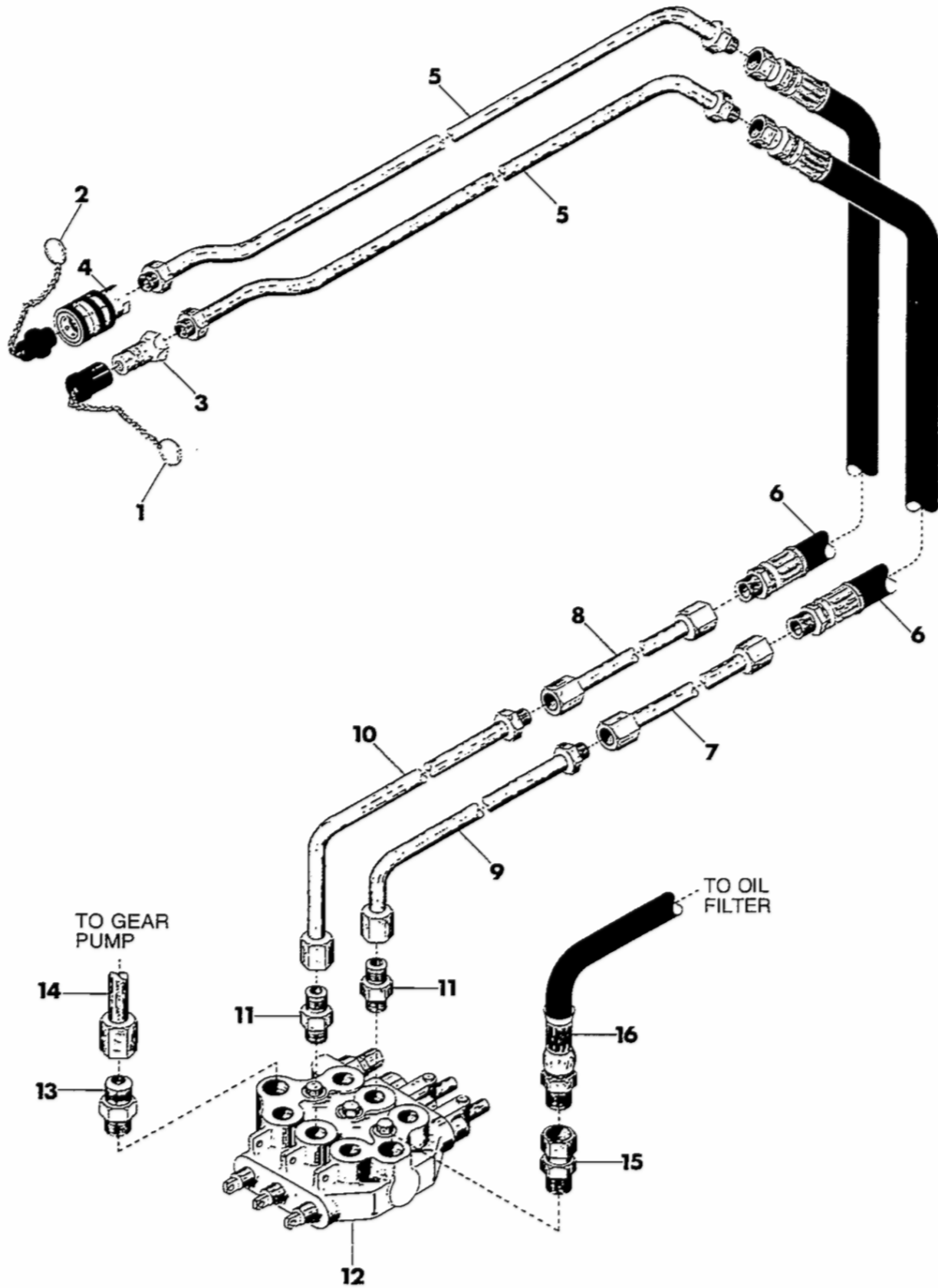
REF.	PART NO.	DESCRIPTION	QUANTITY T103	SERIAL NO.
1		Hyd. Tilt Cylinder	2	
2	954958	Hyd. Hose 3/8" I.D. X 17" L.	4	
3	23356	Hyd. Pipe 1/2" O.D.	1	
4	23355	Hyd. Pipe 1/2" O.D.	1	
5	954957	Hyd. Hose 3/8" I.D. X 17" L.	2	
6	37822	Hyd. Pipe 1/2" O.D.	1	
7	37823	Hyd. Pipe 1/2" O.D.	1	
8	25964	Hyd. Pipe 1/2" O.D.	1	
9	25967	Hyd. Pipe 1/2" O.D.	1	
10	26167	Hyd. Fitting 1/2" JIC	2	
11	25969	Hyd. Pipe 1/2" O.D.	1	
12	956262	Control Valve	1	
13	25968	Hyd. Pipe 1/2" O.D.	1	
14	956362	Hyd. Hose 1 1/2" L.	1	
15	15648	3/4" NPSM X 5/8" ORB Connector	2	
16	957306	Hyd. Hose 3/4" NPT X 62 1/2" L.	1	
17	19238	Hyd. Connector 1/2" JIC X 1/2" ORB	2	
18	<del>27828</del>	Hyd. Pipe 1/2" O.D. (Replaces items 8, 10 & 11)	1	
19	<del>37827</del>	Hyd. Pipe 1/2" O.D. (Replaces items 9, 10 & 13)	1	
20	2010	Grease Fitting		

# T133 - BUCKET TILT CIRCUIT LE000718 - LE004377

REF.	PART NO.	DESCRIPTION	QUANTITY T133	SERIAL NO.
1		Hyd. Tilt Cylinder	2	
2	954958	Hyd. Hose 3/8" I.D. X 17" L.	4	
3	23356	Hyd. Pipe 1/2" O.D.	1	
4	23355	Hyd. Pipe 1/2" O.D.	1	
5	954957	Hyd. Hose 3/8" I.D. X 17 1/2" L.	2	
6	23329	Hyd. Pipe 1/2" O.D.	1	
7	37823	Hyd. Pipe 1/2" O.D.	1	
8	25964	Hyd. Pipe 1/2" O.D.	1	
9	25967	Hyd. Pipe 1/2" O.D.	1	
10	26167	Hyd. Fitting 1/2" JIC	2	
11	25969	Hyd. Pipe 1/2" O.D.	1	
12	956262	Control Valve	1	
13	25968	Hyd. Pipe 1/2" O.D.	1	
14	956361	Hyd. Hose 9 7/8" L.	1	
15	15648	3/4" NPSM X 5/8" ORB Connector	2	
16	957306	Hyd. Hose 3/4" NPT X 62 1/2" L.	1	
17	19238	Hyd. Connector 1/2" JIC X 1/2" ORB	2	
18	37828	Hyd. Pipe 1/2" O.D. (Replaces items 8, 10 & 11)	1	
19	37827	Hyd. Pipe 1/2" O.D. (Replaces items 9, 10 & 13)	1	







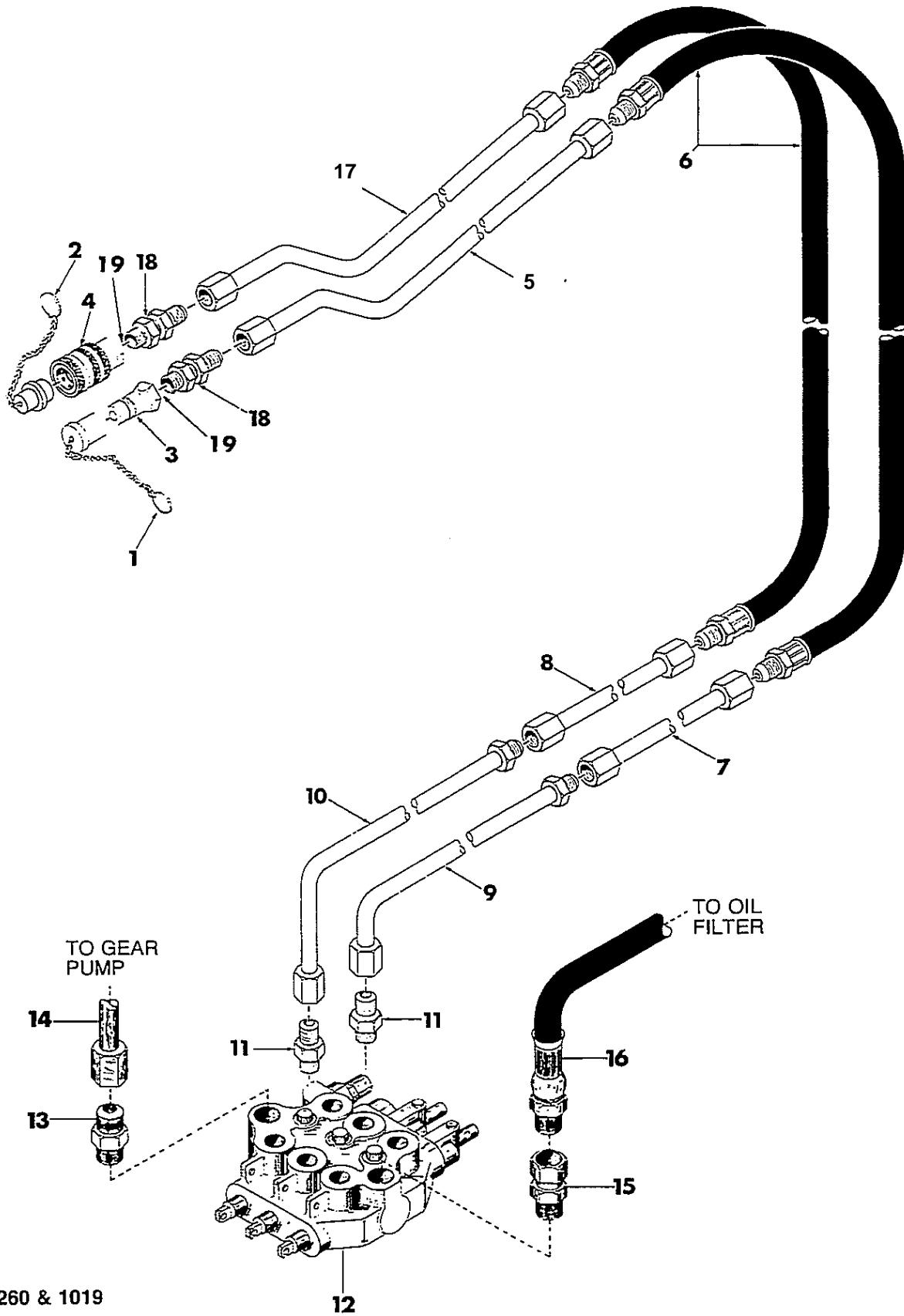
## AUXILIARY HYDRAULIC CIRCUIT — T103 TO S/N LC 000425

4.4

REF.	PART NO.	DESCRIPTION	QUANTITY T103	SERIAL NO.
1	7667	Male End Plug	1	
2	7124	Female End Plug	1	
3	1803	Male Quick Change Coupling	1	
4	6608	Female Quick Change Coupling	1	
5	23357	Hyd. Pipe 1/2" Dia.	2	
6	954959	Hyd. Hose 3/8" Dia. x 17 3/4" L.	2	
7	23341	Hyd. Pipe 1/2" Dia.	1	
8	23339	Hyd. Pipe 1/2" Dia.	1	
9	23340	Hyd. Pipe 1/2" Dia.	1	
10	23338	Hyd. Pipe 1/2" Dia.	1	
11	19238	1/2" JIC x 1/2" ORB St. Male Conn.	2	
12	956262	Control Valve	1	
14	956362	Hyd. Hose 11 1/2" L.	1	
15	15648	3/4" NPSM x 5/8" ORB Conn.	2	
16	954955	Hyd. Hose 3/4" NPT x 61 1/2" L.	1	

## AUXILIARY HYDRAULIC CIRCUIT — T133 TO LE 001492

REF.	PART NO.	DESCRIPTION	QUANTITY T133	SERIAL NO.
1	7667	Male End Plug	1	
2	7124	Female End Plug	1	
3	1803	Male Quick Change Coupling	1	
4	6608	Female Quick Change Coupling	1	
5	23357	Hyd. Pipe 1/2" Dia.	2	
6	954959	Hyd. Hose 3/8" Dia. x 17 3/4" L.	2	
7	23341	Hyd. Pipe 1/2" Dia.	1	
8	23339	Hyd. Pipe 1/2" Dia.	1	
9	23340	Hyd. Pipe 1/2" Dia.	1	
10	23338	Hyd. Pipe 1/2" Dia.	1	
11	19238	1/2" JIC x 1/2" ORB St. Male Conn.	2	
12	956262	Control Valve	1	
14	956362	Hyd. Hose 11 1/2" L.	1	
15	15648	3/4" NPSM x 5/8" ORB Conn.	2	
16	954955	Hyd. Hose 3/4" NPT x 61 1/2" L.	1	



# AUXILIARY HYDRAULIC CIRCUIT - T103

## S/N LC 000426 - ONWARD

4.4.1

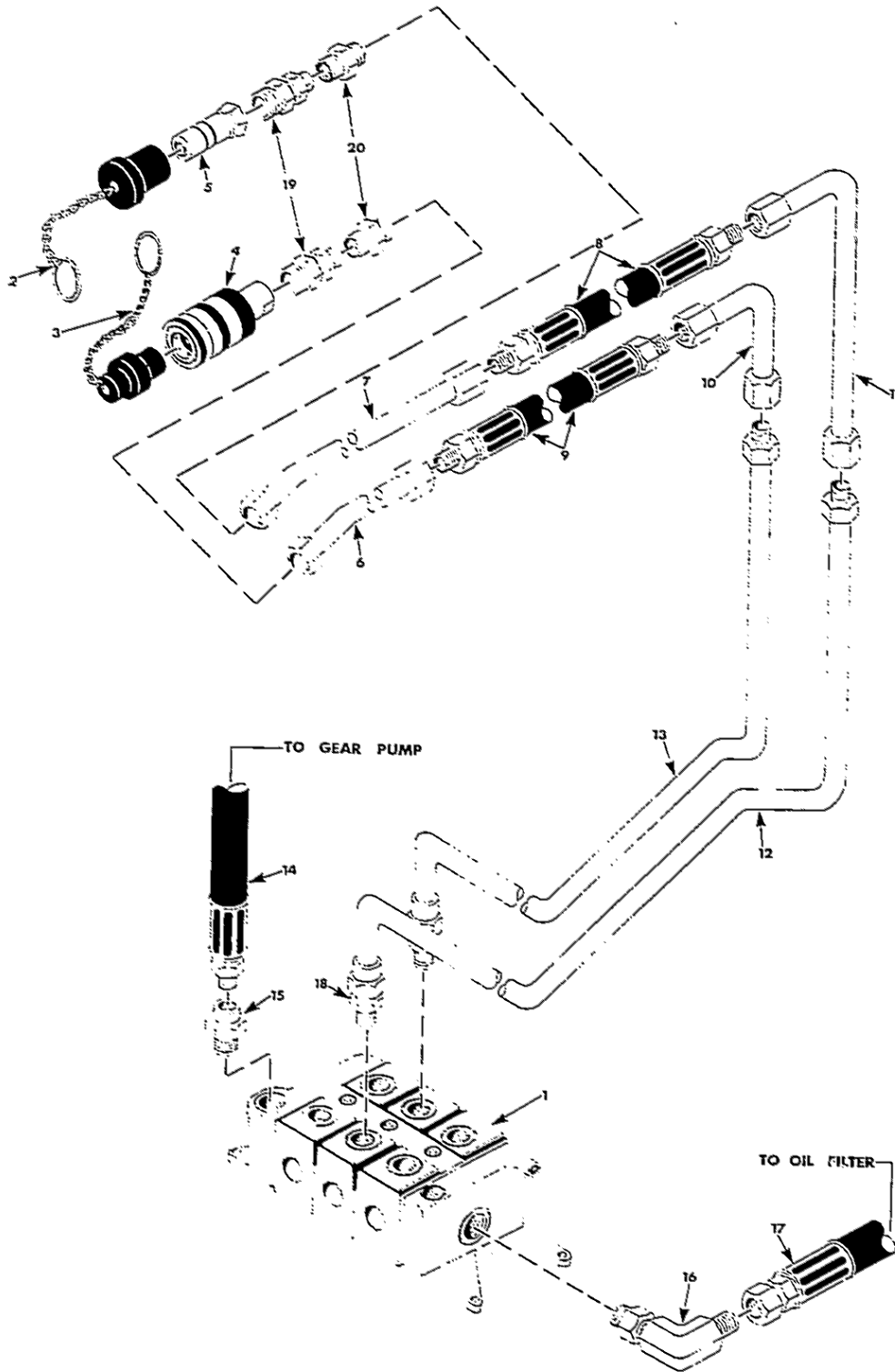
REF.	QUANTITY PART NO.	DESCRIPTION	T103	SERIAL NO.
1	7667	Male End Plug	1	
2	7124	Female End Plug	1	
3	1803	Male Quick Change Coupling	1	
4	6608	Female Quick Change Coupling	1	
5	35388	Hyd. Pipe 1/2" Dia.	1	
6	954957	Hyd. Hose 3/8" Dia. X 17 1/2" L.	2	
7	<del>37825</del>	Hyd. Pipe 1/2" Dia.	1	
8	<del>37824</del>	Hyd. Pipe 1/2" Dia.	1	
9	23340	Hyd. Pipe 1/2" Dia.	1	
10	37829	Hyd. Pipe 1/2" Dia.	1	
11	19238	1/2" JIC X 1/2" ORB St. Male Conn.	2	
12	956262	Control Valve	1	
14	956362	Hyd. Hose 11 1/2" L.	1	
15	15648	3/4" NPSM X 5/8" ORB Conn.	2	
16	957306	Hyd. Hose 3/4" NPT X 62 1/2" L.	1	
17	29478	Hyd. Pipe 1/2" O.D.	1	
18	30323	Connector 3/4" JIC M X 3/8" NPT M	2	
*19	6798	Reducing Bushing 1/2" NPTM X 3/8" NPT F	2	

# AUXILIARY HYDRAULIC CIRCUIT - T133

## S/N LE001493 - LE004377

REF.	QUANTITY PART NO.	DESCRIPTION	T133	SERIAL NO.
1	7667	Male End Plug	1	
2	7124	Female End Plug	1	
3	1803	Male Quick Change Coupling	1	
4	6608	Female Quick Change Coupling	1	
5	35388	Hyd. Pipe 1/2" Dia.	1	
*5	23356	Hyd. Pipe Foundry Unit	1	LE001686- ONWARD
6	954957	Hyd. Hose 3/8" Dia. X 17 1/2" L.	2	
7	23341	Hyd. Pipe 1/2" Dia.	1	
8	23339	Hyd. Pipe 1/2" Dia.	1	
9	23340	Hyd. Pipe 1/2" Dia.	1	
10	23338	Hyd. Pipe 1/2" Dia.	1	
11	19238	1/2" JIC X 1/2" ORB St. Male Conn.	2	
12	956262	Control Valve	1	
14	956361	Hyd. Hose 9 7/8" L.	1	
15	15648	3/4" NPSM X 5/8" ORB Conn.	2	
16	957306	Hyd. Hose 3/4" NPT X 62 1/2" L.	1	
17	29478	Hyd. Pipe 1/2" O.D.	1	LE0001686 -ONWARD
*17	23355	Hyd. Pipe, Foundry Unit	1	LE001686-ONWARD
18	30323	Connector 3/4" JIC M X 3/8" NPT M	2	
*19	6798	Reducing Bushing 1/2" NPTM X 3/8" NPT F	2	

\* Not Shown



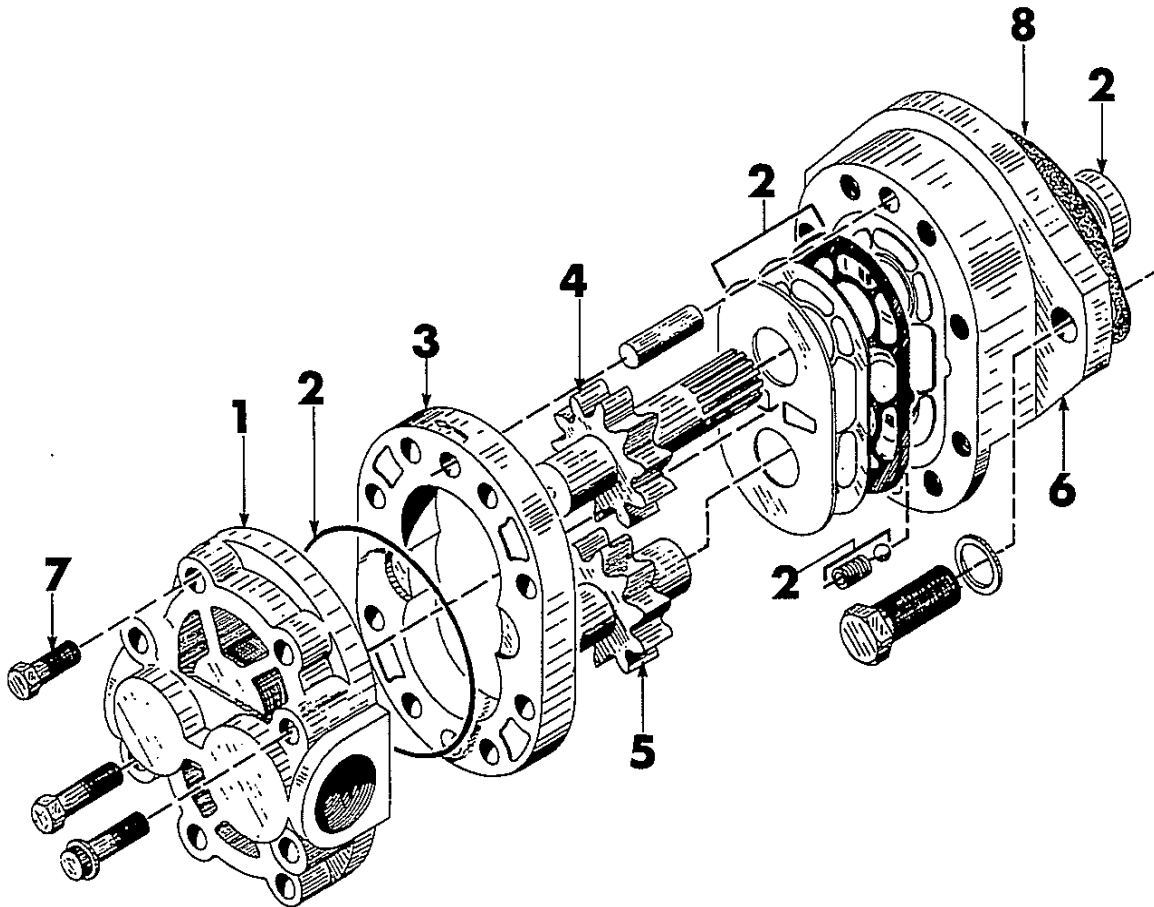


**AUXILIARY HYDRAULIC CIRCUIT  
LE004378 — ONWARD**

4.4.2

REF.	PART NO.	DESCRIPTION	QUANTITY T133	SERIAL NO.
1	36095	Control Valve	1	
2	7667	Male End Plug	1	
3	7124	Female End Plug	1	
4	6608	Female Quick Change Coupling	1	
5	1803	Male Quick Change Coupling	1	
6	35388	Hydraulic Tube, 1/2" O.D.	1	
7	29478	Hydraulic Tube, 1/2" O.D.	1	
8	954957	Hyd. Hose, 3/8" Dia. x 17 1/2" L.	1	
9	954957	Hyd. Hose, 3/8" Dia. x 17 1/2" L.	1	
10	37824	Hydraulic Tube, 1/2" O.D.	1	
11	37825	Hydraulic Tube, 1/2" O.D.	1	
12	36214	Hydraulic Tube, 1/2" O.D.	1	
13	36213	Hydraulic Tube, 1/2" O.D.	1	
14	959714	Hyd. Hose, 3/8" x 9.665" x 7/8" JIC	1	
15	19226	Str. Connector, 7/8" JIC	1	
16	14866	90° Elbow	1	
17	959716	Hyd. Hose 3/4" x 58"	1	
18	20182	Str. Connector 3/4" JIC	2	
*19	30323	Connector 3/4" JIC M x 3/8" NPT M	2	
*20	6798	Reducing Bushing 1/2" NPT M x 3/8" NPT F	2	

\*Not illustrated



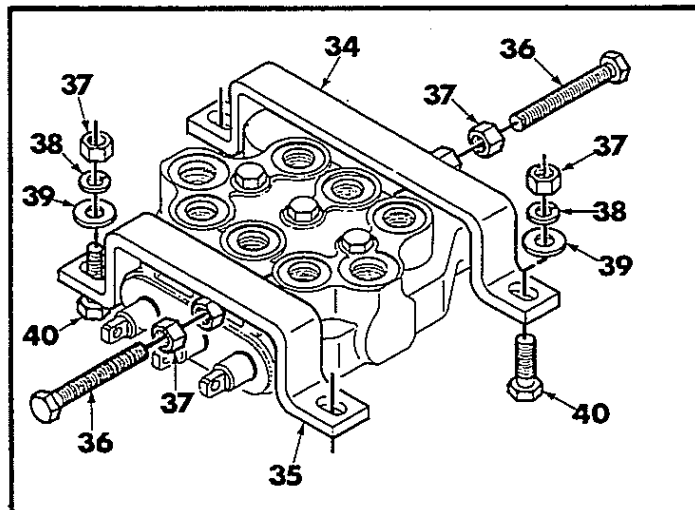
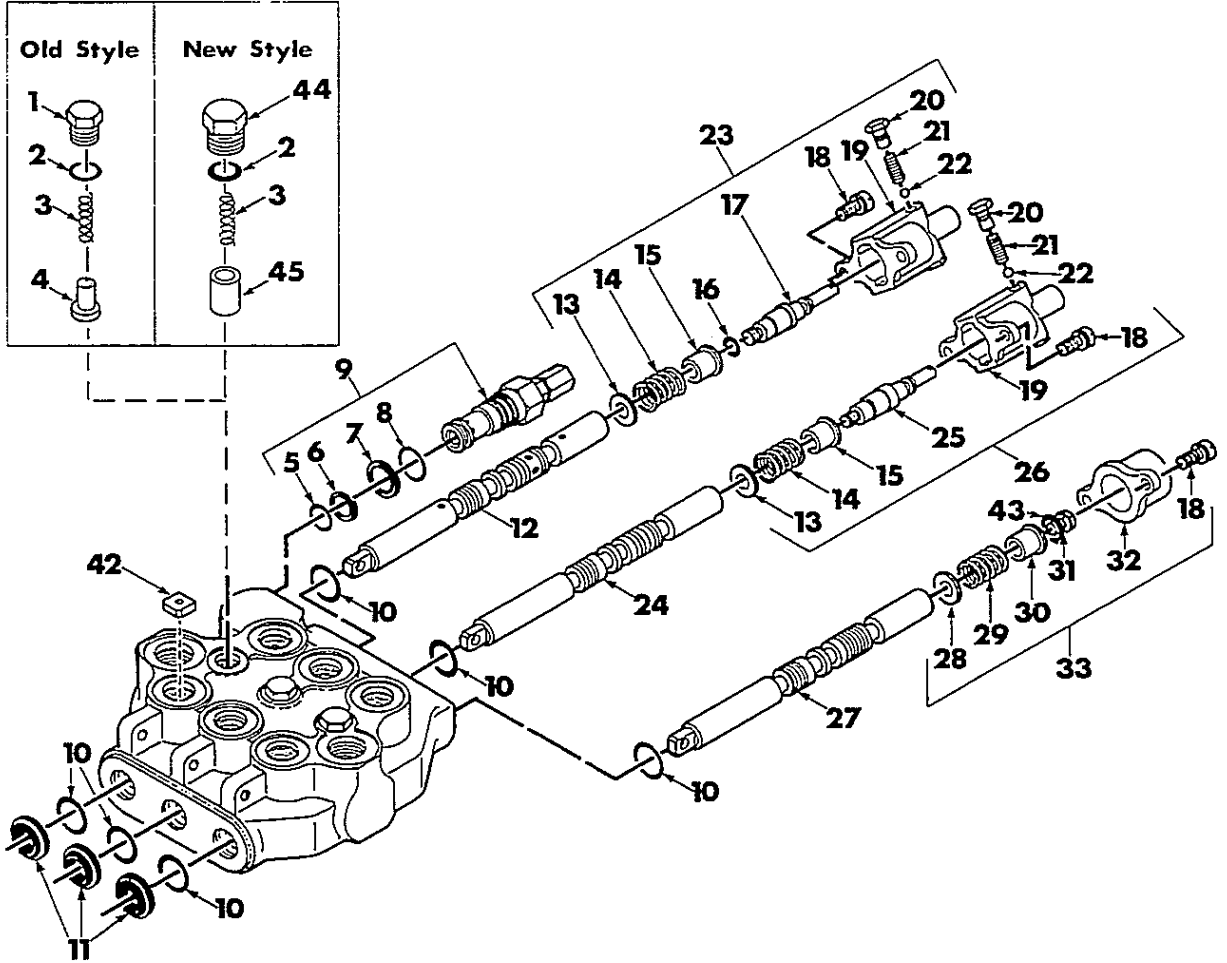
## AUXILIARY GEAR PUMP - T103

4.5

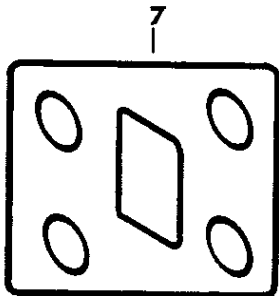
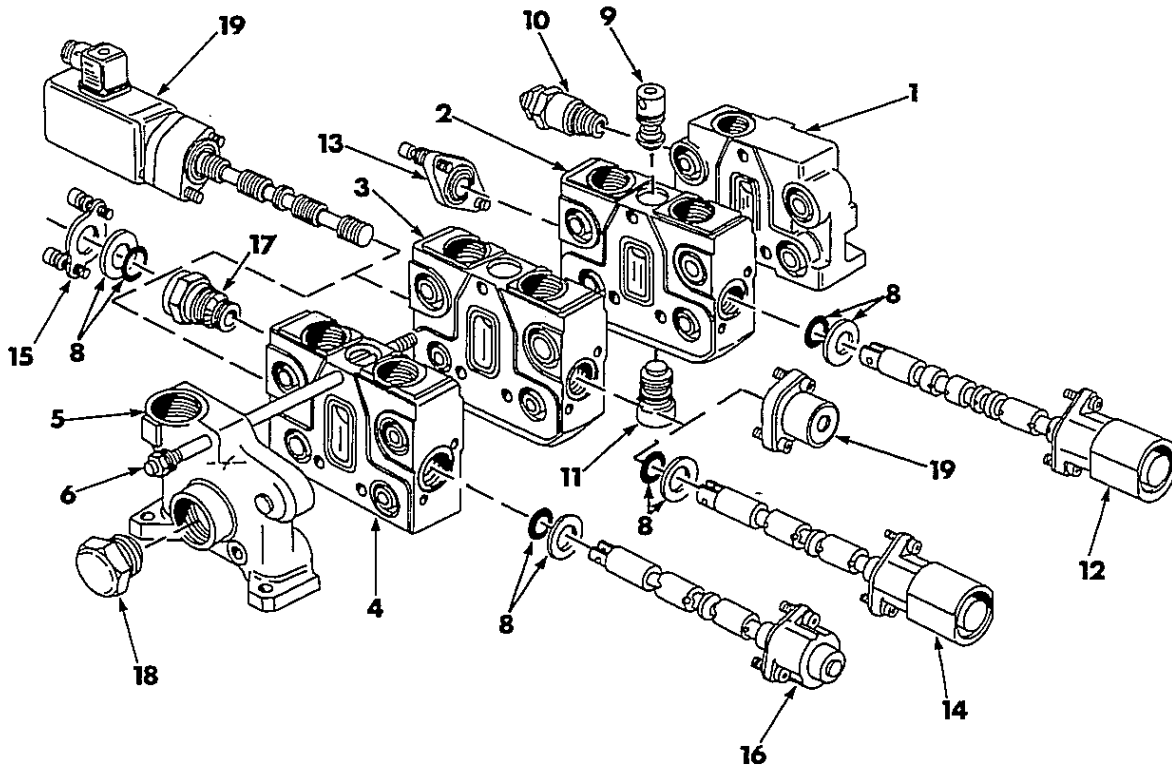
REF.	PART NO.	DESCRIPTION	QUANTITY T103	SERIAL NO.
	25045	Gear Pump Complete	1	
1	14938	Back Plate	1	
2	951078	Seal Kit	1	
3	25046	Body	1	
4	25047	Drive Gear Assembly	1	
5	25048	Idle Gear Assembly	1	
6	14939	Front Plate	1	
7	N.S.P.	Cap Screw, Torque 25-28 ft. lbs. (34-38 N.M.)	8	

## AUXILIARY GEAR PUMP - T133

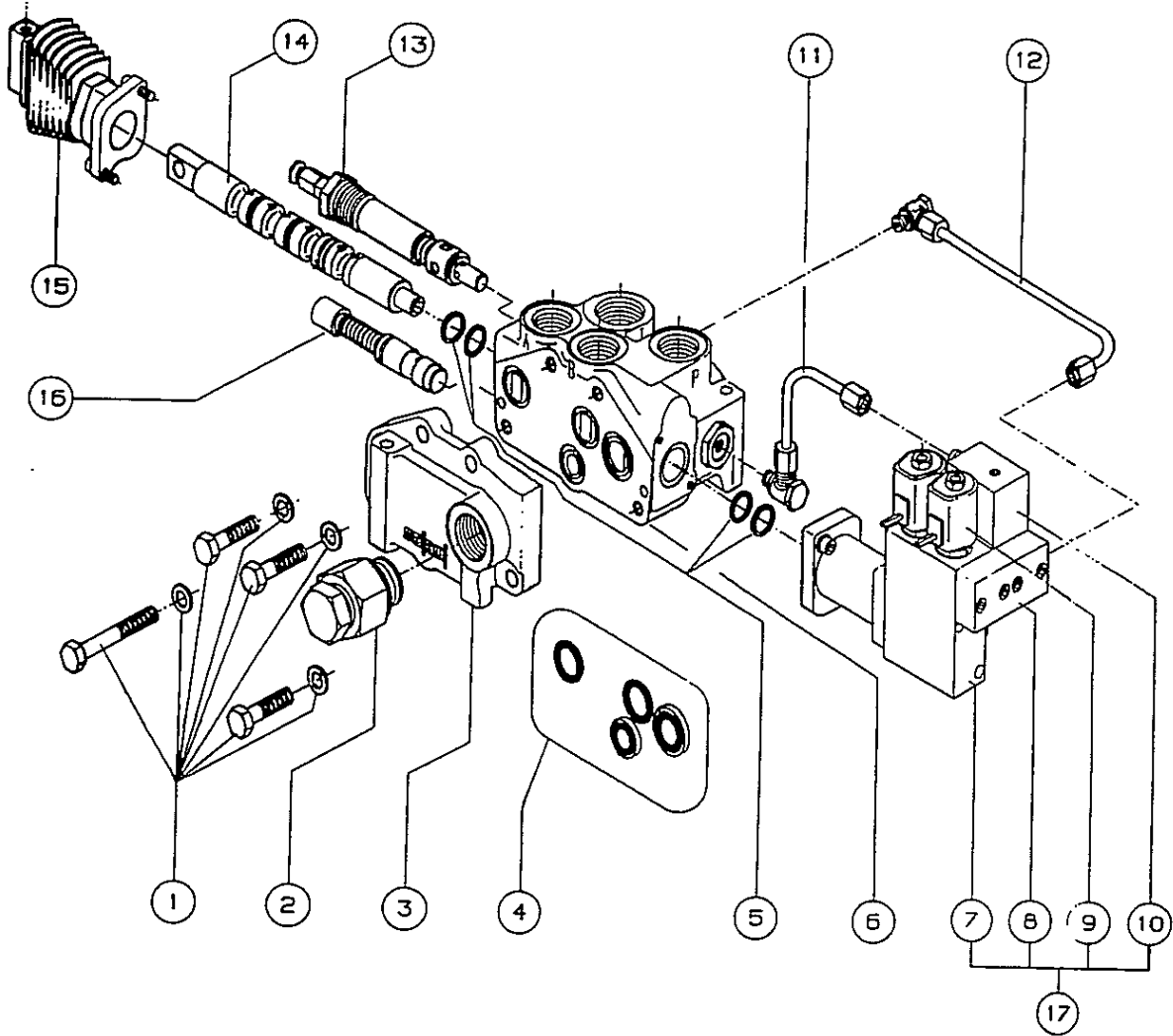
REF.	PART NO.	DESCRIPTION	QUANTITY T133	SERIAL NO.
	14944	Gear Pump Complete, 1.48 cu. in	1	TO LE003455
	33922	Gear Pump Complete, 1.69 cu. in.	1	LE003456 - LE004091
	35592	Gear Pump Complete, 1.2 cu. in.	1	LE004092 - LE004445 LE00447
	33922	Gear Pump Complete, 1.69 cu. in.	1	LE004446 LE004448 - LE004629
	37138	Gear Pump Complete, 1.37 cu. in.	1	LE004630 - ONWARD
	37992	Adapter	1	TO LE004630
1	14938	Backplate	1	TO LE003455
1	34885	Backplate	1	LE003456 - ONWARD
2	951078	Seal Kit	1	TO LE003455
2	34884	Seal Kit	1	LE003456 - ONWARD
3	14937	Body	1	TO LE003455
3	34881	Body	1	LE003456 TO LE004629
3	37141	Body	1	LE004630 - ONWARD
4	14941	Drive Gear Assembly	1	TO LE003455
4	34887	Drive Gear Assembly	1	LE003456 TO LE004629
4	37143	Drive Gear Assembly	1	LE004630-ONWARD
5	14940	Idle Gear Assembly	1	TO LE003455
5	34882	Idle Gear Assembly	1	LE003456 TO LE004629
5	37142	Idle Gear Assembly	1	LE004630 - ONWARD
6	14939	Front Plate	1	TO LE003455
6	34886	Front Plate	1	LE003456 - ONWARD
7	37140	Cap Screw, Torque 25-28 ft. lbs (34-38 N.M.)	8	
8	8786	'O'-Ring	1	





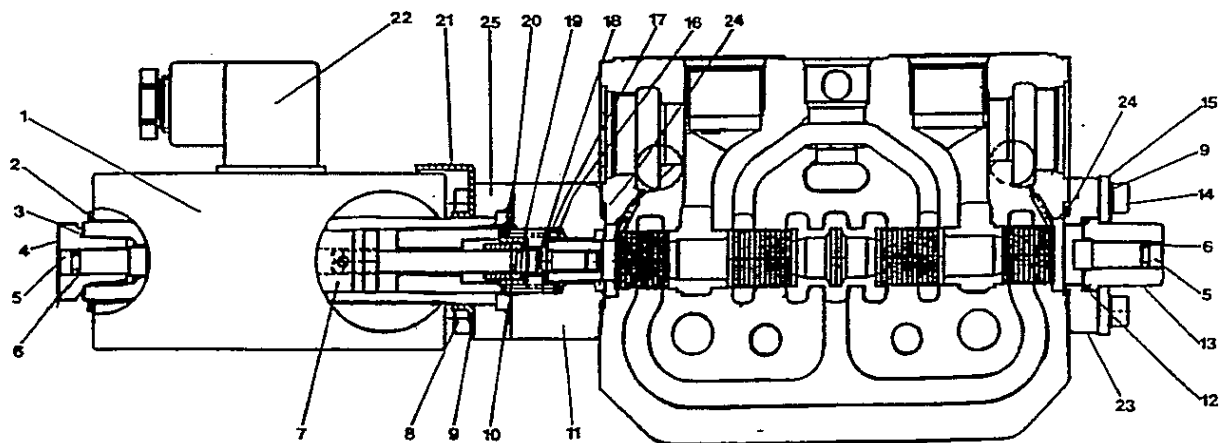






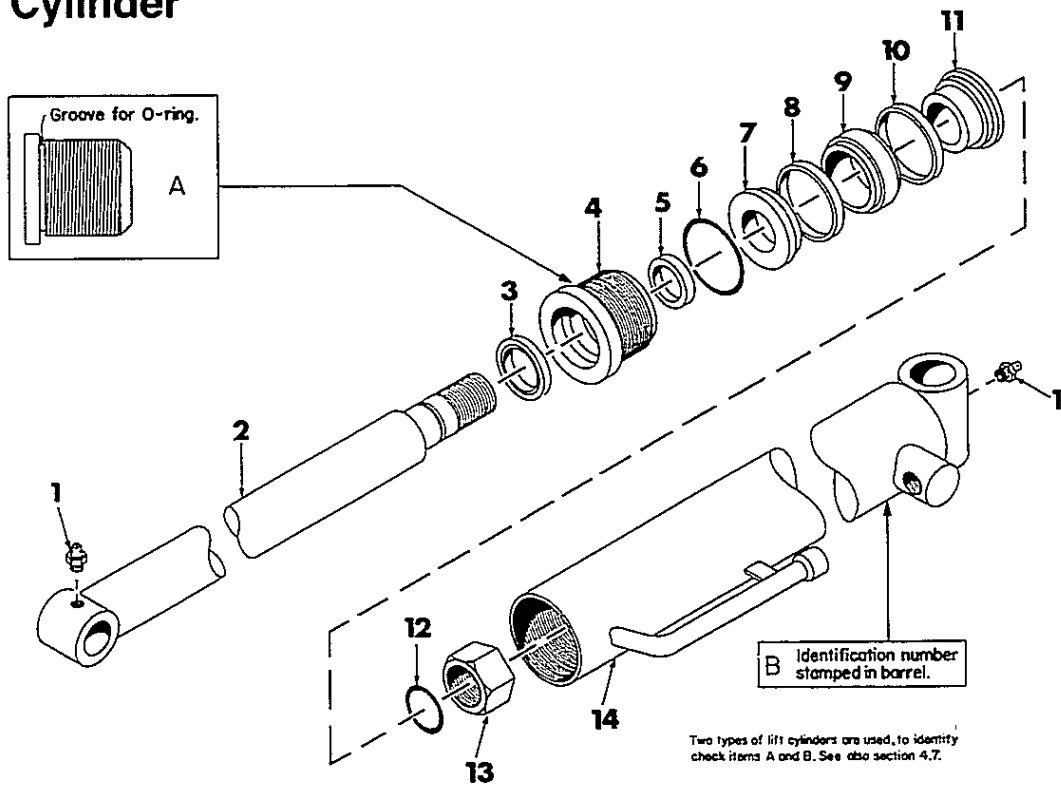








### Lift Cylinder



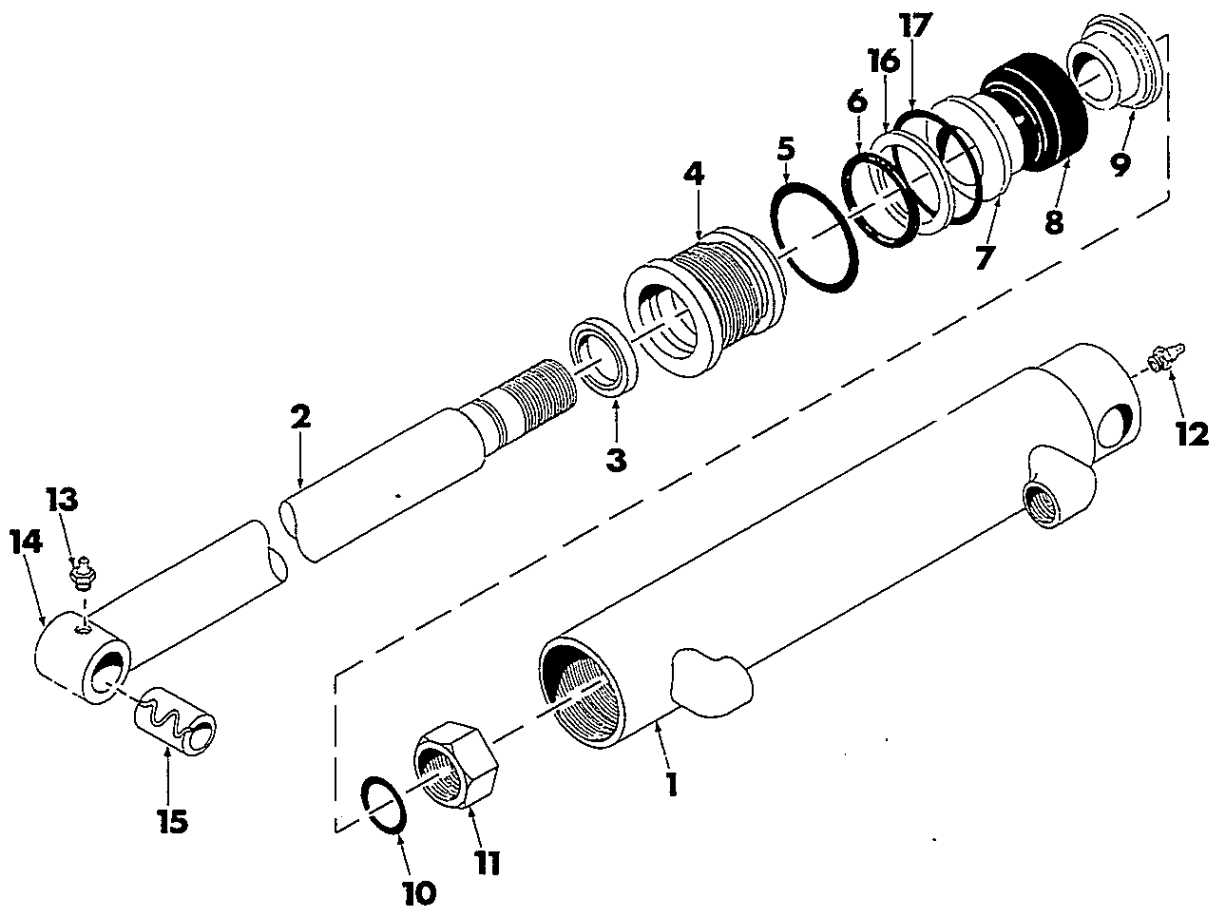
# LIFT CYLINDER TO S/N LC000346 - ONWARD LE001129 - ONWARD

4.8.1

REF.	PART NO.	DESCRIPTION	QUANTITY		SERIAL NO.
			T103	T133	
	29877	Lift Cylinder 2" I.D. X 27 1/8" X 1 1/4" Rod	1	1	
1	2010	Grease Fitting 1/8" NPT	2	2	
2	29990	Shaft	1	1	
3	See Item 15	Seal	1	1	
4	29987	End Cap	1	1	
5	See Item 15	Rod Seal	1	1	
6	See Item 15	'O'Ring	1	1	
7	29989	Piston Front Section	1	1	
8	See Item 15	'O'Ring	1	1	
9	See Item 15	Bearing	2	2	
10	See Item 15	Piston Seal	1	1	
11	29988	Piston Rear Section	1	1	
12	See Item 15	'O'Ring	1	1	
13	23530	Nut	1	1	
14	29991	Cylinder Body	1	1	
15	23539	Seal Kit, Complete	1	1	

## OPTIONAL LIFT CYLINDER - T133

REF.	PART NO.	DESCRIPTION	QUANTITY	SERIAL NO.
			T133	
	29886	Opt. Lift Cylinder, 2" I.D. X 27 1/8" X 1 1/2" Rod	1	
	37397	H.D. Lift Cylinder 2.5" X 27.125" X 1 1/2" Rod	1	
1	2010	Grease Fitting 1/8" NPT	2	
2	30001	Shaft	1	
3	See Item 15	Seal	1	
4	3000	End Cap	1	
5	See Item 15	Rod Seal	1	
6	See Item 15	'O'Ring	1	
7	29989	Piston, Front Section	1	
8	See Item 15	'O'Ring	1	
9	See Item 15	Bearing	2	
10	See Item 15	Piston Seal	1	
11	29988	Piston Rear Section	1	
12	See Item 15	'O'Ring	1	
13	23530	Nut	1	
14	30002	Cylinder Body	1	
15	25055	Seal Kit, Complete (for 29886)	1	
15	37407	Seal Kit, Complete (for 37397)	1	
	957307	Flow Control Valve	1	
	13838	Nipple	1	

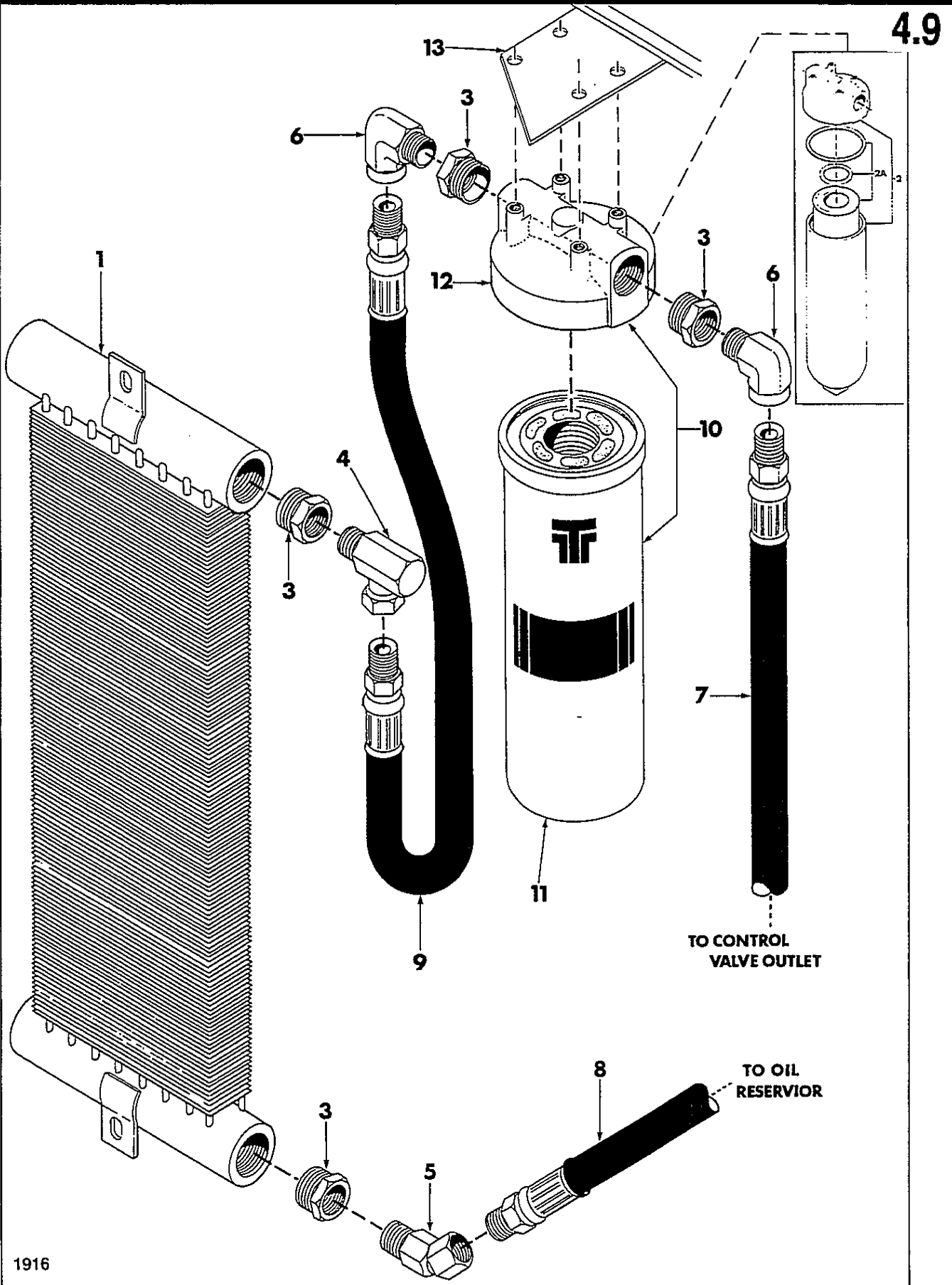


# TILT CYLINDERS

4.8.2

REF.	PART NO.	PART NO.	PART NO.	PART NO.	DESCRIPTION	QTY.
	22554 UP TO LC000345 UP TO LE001122	29876 LC000346- LC000485 LE001123- LE002182	31030 LC000486- LC000515 LE002183- LE002680	32495 LC000516- ONWARD LE002681- ONWARD	Cylinder, Complete	1
1	23531	29986	31432	32891	Cylinder Tube	1
2	23526	29985	31033	31033	Piston Rod	1
3	See 14	See 14	See 14	See 14	Wiper Seal	1
4	23527	29984	29984	32890	Head Plate	1
5	See 14	See 14	See 14	See 14	'O' Ring	1
6	See 14	See 14	See 14	See 14	Rod Seal	1
7	23528	29930	29930	29930	Piston Part 'B'	1
8	See 14	See 14	See 14	See 14	Piston Seal	1
9	23529	29929	29929	29929	Piston Part 'A'	1
10	See 14	See 14	See 14	30091	'O' Ring	1
11	23530	23530	23530	23530	Hex. Lock Nut	1
12	2010	2010	2010	2010	Grease Fitting	1
13	2010	2010	2010	2010	Grease Fitting	1
14	23532	23532	23532	23532	Seal Kit, Complete	1
15	—	—	31032	31032	Hardened Bushing	1
16	—	—	—	See 14	Back-up Washer	1
17	—	—	—	See 14	'O' Ring	1

## OIL COOLER AND FITTINGS OIL FILTER



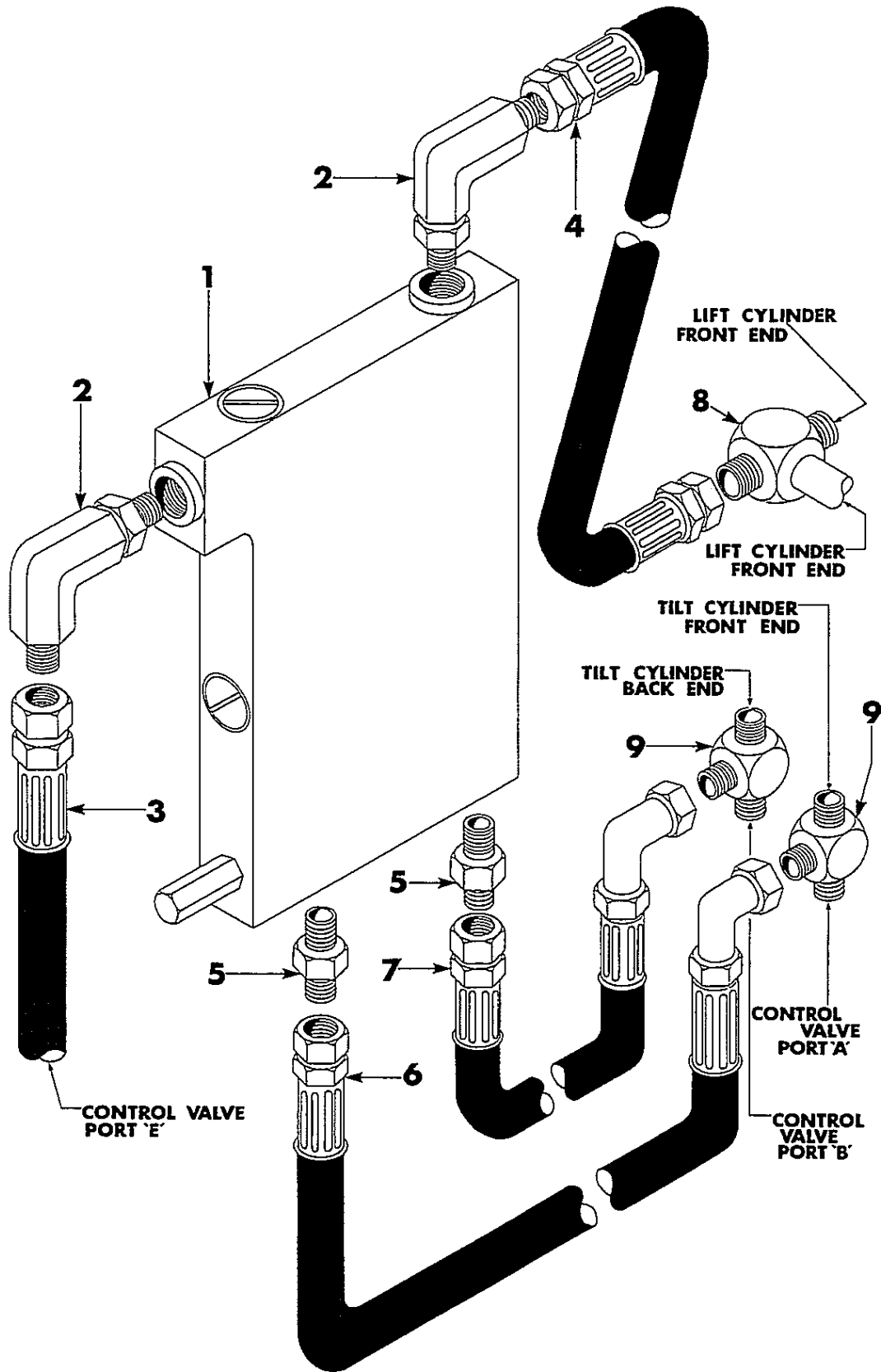


**OIL COOLER, FILTER AND FITTINGS — T103****4.9**

REF.	PART NO.	DESCRIPTION	QUANTITY T103	SERIAL NO.
1	22957	Oil Cooler Assembly	1	
2	16027	Oil Filter Assembly - consists	1	
		of head, body, elements and seals		To LC000611
2A	16028	Elements - Includes seals	1	To LC000611
3	4569	Reducer, 1" NPT X 3/4" NPT	4	
4	6111	Elbow, 3/4" NPSM X 3/4" NPT X90°	1	
5	23509	Elbow, 3/4" NPSM X 3/4" NPT X45°	1	
6	1463	Elbow, Street 90° X 3/4" NPT	2	
7	954955	Hyd. Hose 3/4" NPT X 61 1/2" L.	1	
8	954632	Hyd. Hose 3/4" NPT X 28" L	1	
9	957306	Hyd. Hose 3/4" NPT X 62 1/2" L	1	
10	35242	Oil Filter Ass'y (spin on)	1	LC000612 - onward
11	35243	Oil Filter Element	1	LC000612 - onward
12	35244	Head Ass'y	1	LC000612 - onward
13	35249	Oil Filter Bracket	1	LC000612 - onward

**OIL COOLER, FILTER AND FITTINGS — T133****4.9**

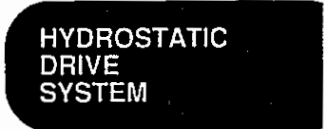
REF.	PART NO.	DESCRIPTION	QUANTITY T103	SERIAL NO.
1	22957	Oil Cooler Assembly	1	
2	16027	Oil Filter Assembly - consists	1	
		of head, body, elements and seals		To LC000611
2A	16028	Elements - Includes seals	1	To LC000611
3	4569	Reducer, 1" NPT X 3/4" NPT	4	
4	6111	Elbow, 3/4" NPSM X 3/4" NPT X90°	1	
5	23509	Elbow, 3/4" NPSM X 3/4" NPT X45°	1	
6	1463	Elbow, Street 90° X 3/4" NPT	2	
7	954955	Hyd. Hose 3/4" NPT X 61 1/2" L.	1	
8	954632	Hyd. Hose 3/4" NPT X 28" L	1	
9	957306	Hyd. Hose 3/4" NPT X 62 1/2" L	1	
10	35242	Oil Filter Ass'y (spin on)	1	LC000612 - onward
11	35243	Oil Filter Element	1	LC000612 - onward
12	35244	Head Ass'y	1	LC000612 - onward
13	35249	Oil Filter Bracket	1	LC000612 - onward

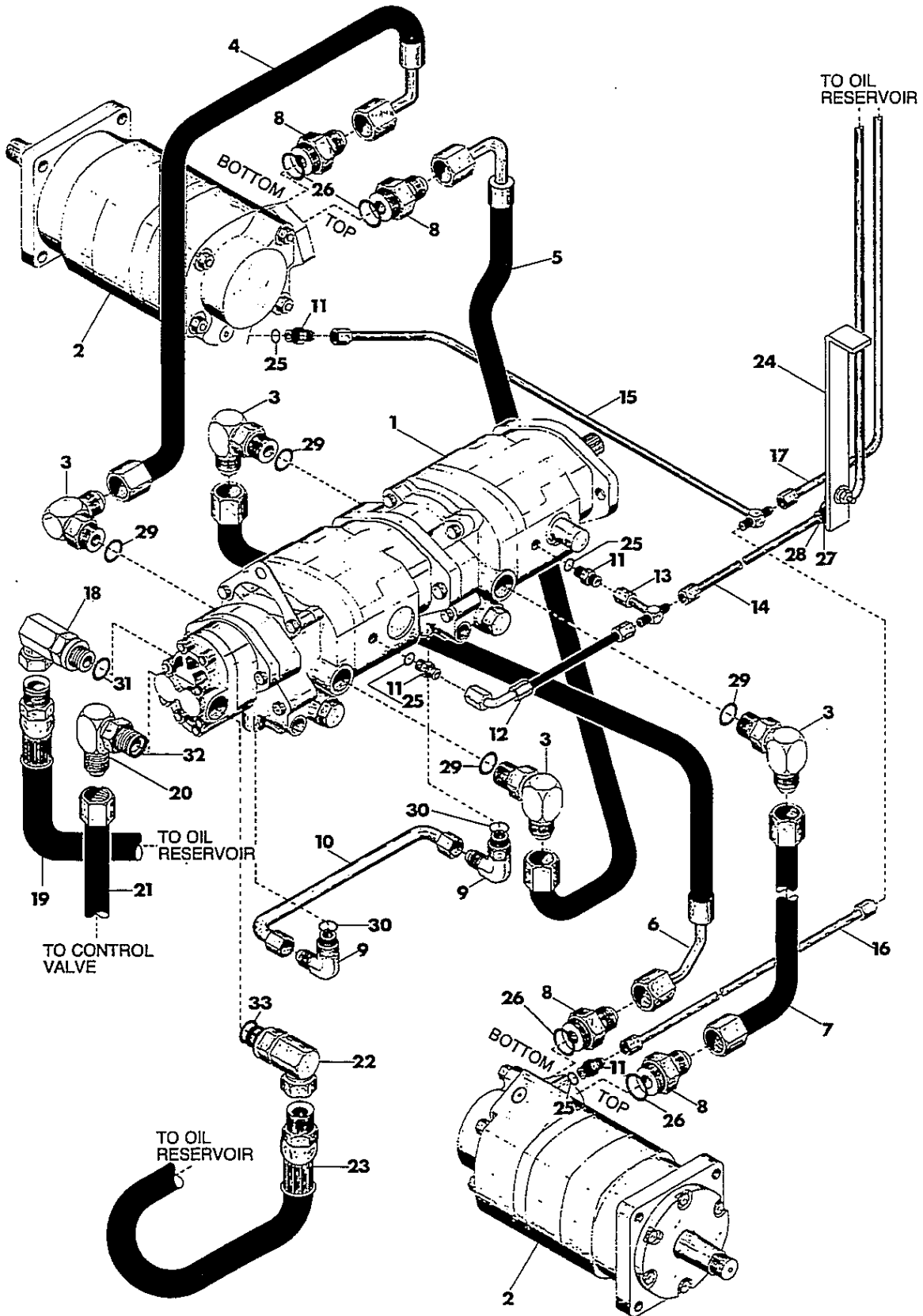




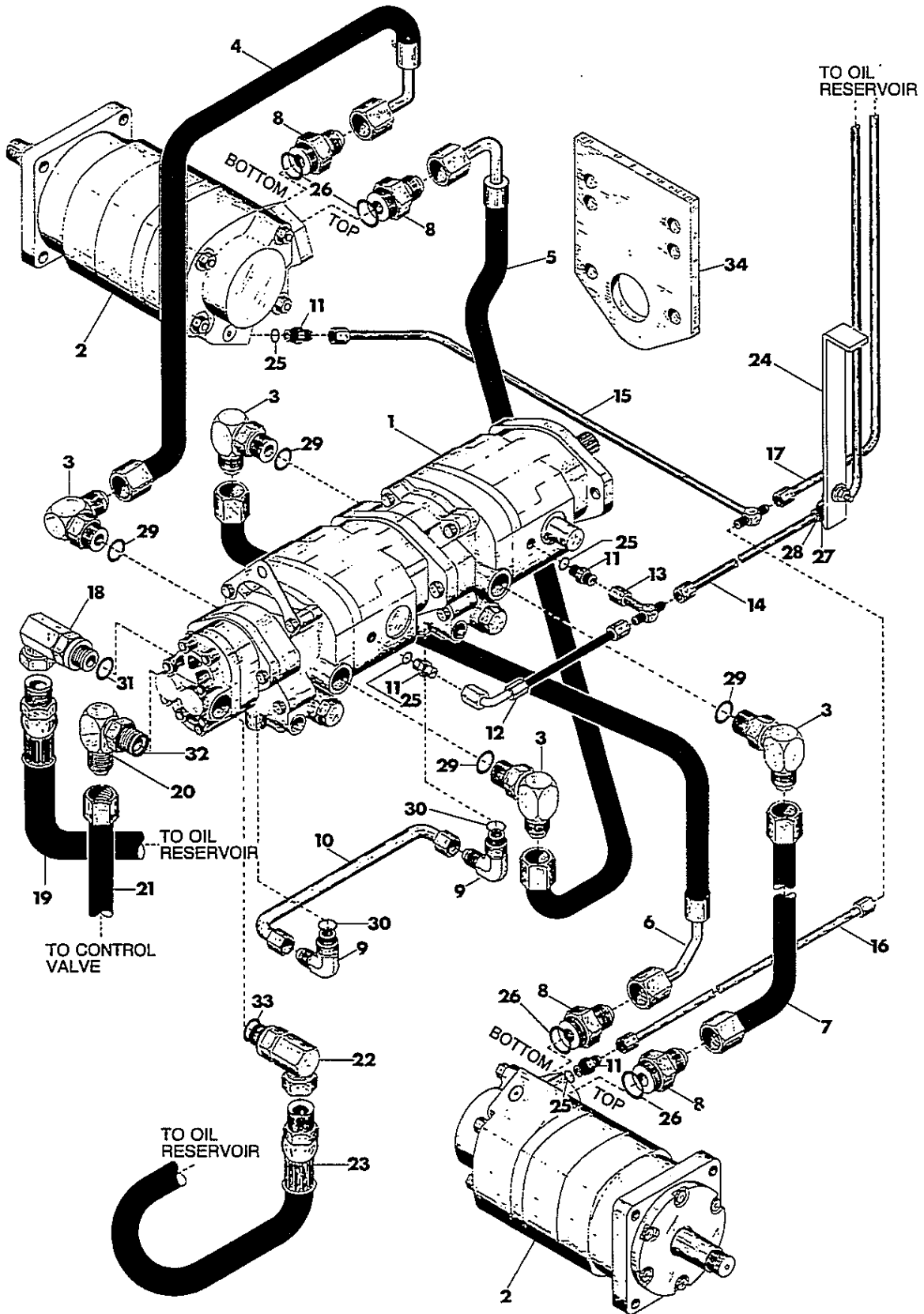
**HYDROSTATIC DRIVE SYSTEM 5.**

D-3 Hydrostatic Drive System (T103).....5.1  
D-4 Hydrostatic Drive System (T133).....5.1.1  
D-5 Front Hydrostatic Pump (w/Charge Pump) T103.....5.2  
D-6 Front Hydrostatic Pump (w/Charge Pump) T133.....5.2.1  
D-7 Front Hydrostatic Pump (w/Charge Pump) T133.....5.2.2  
D-8 Rear Hydrostatic Pump T103 .....5.3  
D-9 Rear Hydrostatic Pump T133 .....5.3.1  
D-10 Rear Hydrostatic Pump T133 .....5.3.2  
D-11 Torque Motor .....5.4









# HYDROSTATIC DRIVE SYSTEM - T133

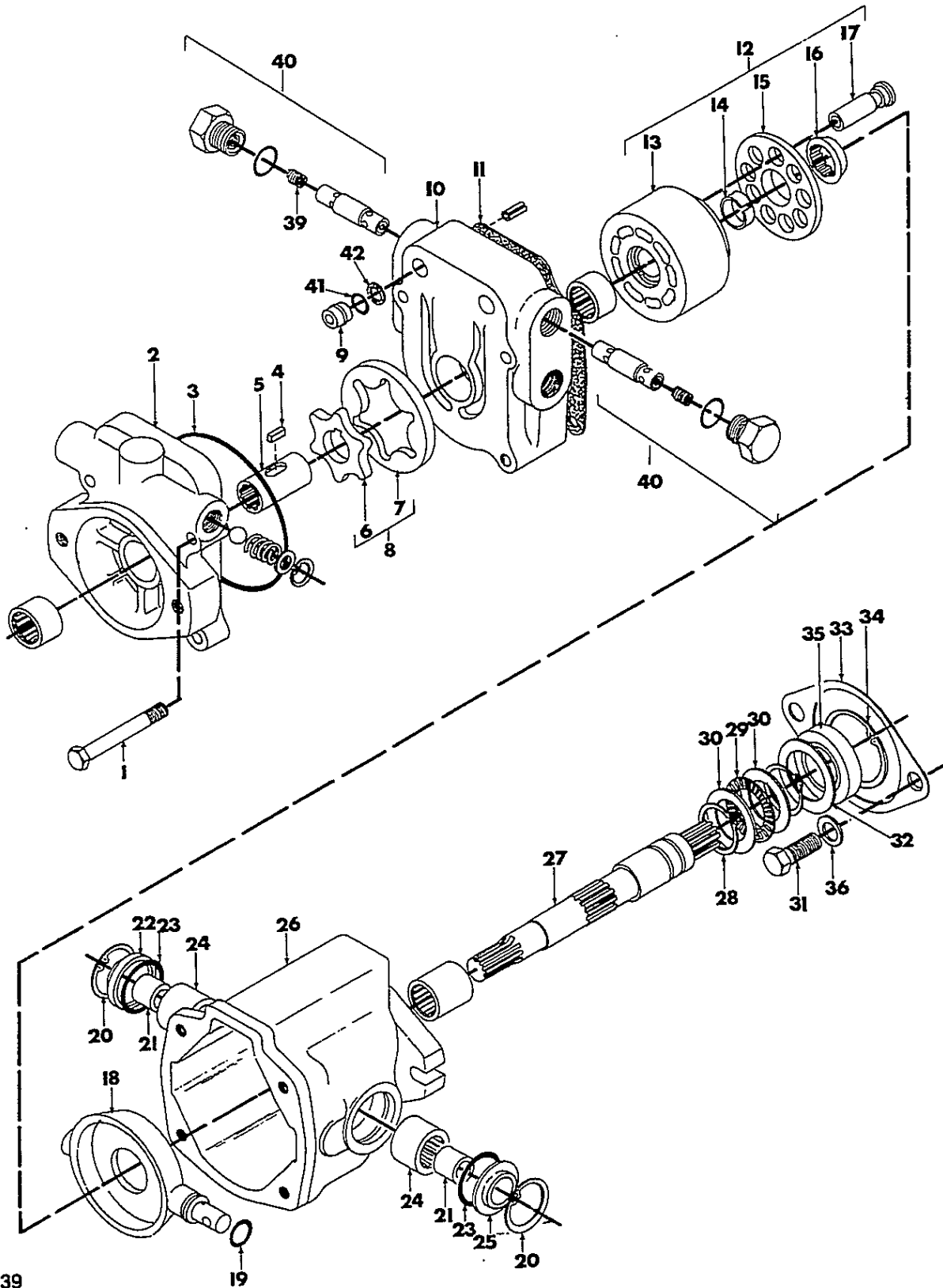
5.1.1

REF.	PART NO.	DESCRIPTION	QUANTITY T133	SERIAL NO.
1	21603	Hydrostatic Tandem Piston Pump	1	TO LE001464
1	35769	Hydrostatic Tandem Piston Pump	1	LE001465 TO LE004629
1	37139	Hydrostatic Tandem Piston Pump	1	LE004630-onward
2	22581	Hydraulic Torque Motor	2	
*3	14866	Connector 3/4" JIC X 3/4" ORB X 90°	4	
4	23992	Hyd. Hose	1	
5	23992	Hyd. Hose	1	
6	23812	Hyd. Hose	1	
7	23994	Hyd. Hose	1	
*8	8104	Connector 3/4" JIC X 3/4" ORB	4	
*9	23388	Connector 1/2" JIC X 1/2" ORB X 90°	2	
10	19239	Hyd. Pipe 1/2" Dia. (transfer line)	1	
*11	19240	Connector 3/8" JIC X 3/8" ORB	4	
12	956191	Hyd. Hose 3/8" JIC (front pump drain)	1	
13	26740	Hyd. Pipe 3/8" Dia. (rear pump drain)	1	
14	23334	Hyd. Pipe 3/8" Dia. (pump drain)	1	
15	23336	Hyd. Pipe 3/8" Dia. (R.H. motor drain)	1	
16	23335	Hyd. Pipe 3/8" Dia. (L.H. motor drain)	1	
17	23337	Hyd. Pipe 3/8" Dia. (motor drain)	1	
*18	24550	Swivel Adapter 3/4" NPT X 1/2" ORB X St.	1	
19	955335	Hyd. Hose 3/4" NPT X 67 1/2" L.	1	
*20	19232	Connector 5/8" JIC X 5/8" ORB X 90°	1	
21	956361	Hyd. Hose 5/8" JIC X 5/8" I.D. X 9 7/8" L. (gear pump outlet)	1	
*22	6118	Connector 3/4" NPSM X 3/4" ORB X 90°	1	TO LE001464
†22	14867	Connector 3/4" NPSM X 3/4" ORB	1	LE001465 TO LE003455
†22	33882	Swivel Adapter	1	LE003456 - onward
23	954954	Hyd. Hose 3/4" NPT X 54" L.	1	TO LE001464
†23	957415	Hyd. Hose 3/4" NPT X 54" L.	1	LE001465 TO LE003455
23	33878	Hydraulic Tubing	1	LE003456 - onward
24	26236	Clamp Mount	1	
25	23747	'O'Ring	4	
26	23750	'O'Ring	4	
27	25074	Clamp	1	
28	26464	Clamp Rubber	1	
29	8302	'O'Ring	4	
30	23748	'O'Ring	2	
31	23748	'O'Ring	1	
32	23789	'O'Ring	1	
33	8302	'O'Ring	1	
34	22557	Rear Pump Mounting Bracket	1	
†35	33854	Hyd. Hose, 40"	1	LE003456 - onward

\*O'Rings included with fittings

†not as illustrated



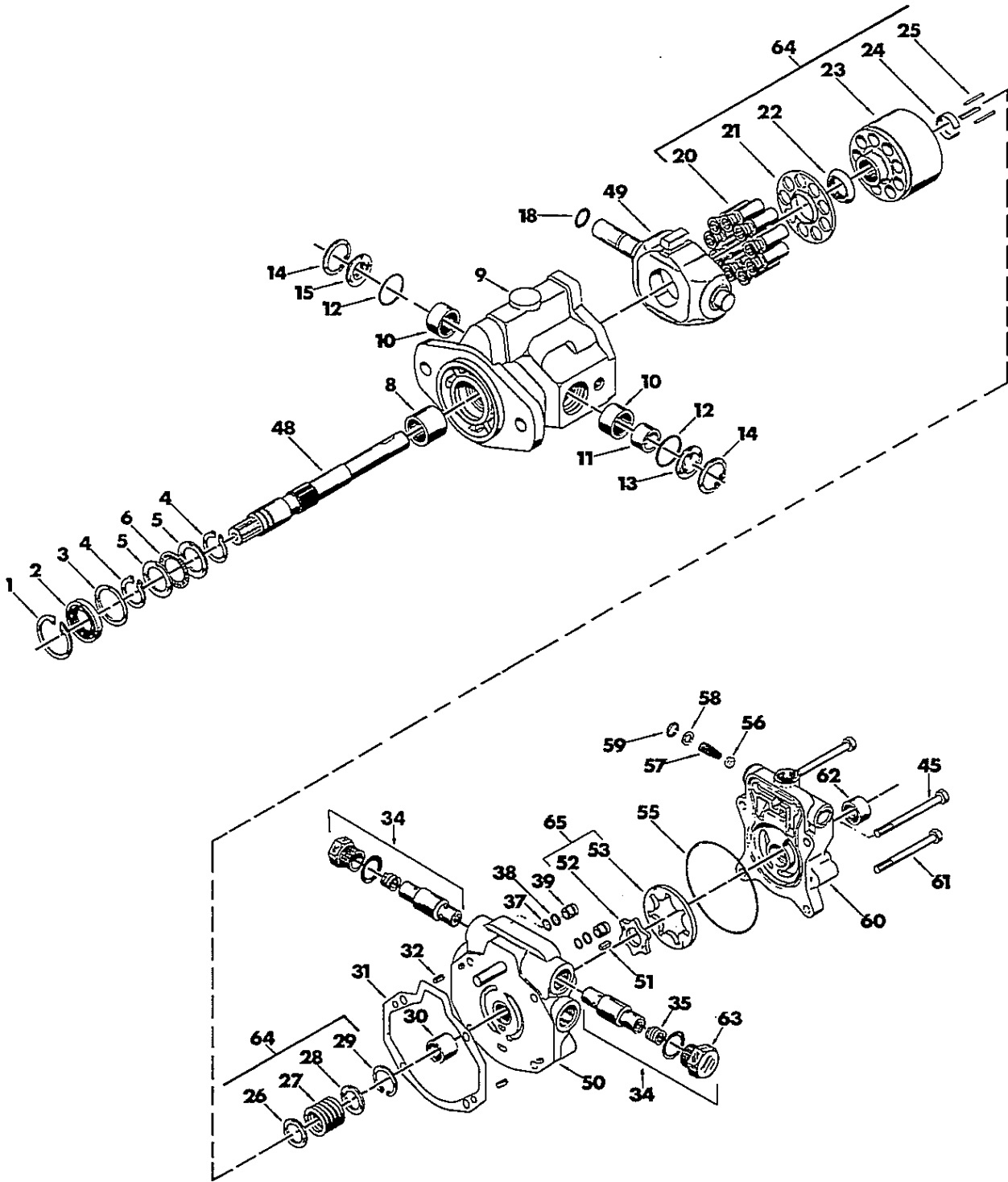


# FRONT HYDROSTATIC PUMP (WITH CHARGE PUMP) — T103

5.2

REF.	PART NO.	DESCRIPTION	QUANTITY T103	SERIAL NO.
	25098	Pump Complete	1	
1	NSP	Bolt Torque 17-20 Ft. Lbs. (23-27 N.M.)	4	
2	951075	Pump Adaptor	1	
3	8793	'O' Ring 3/32" x 4 1/2" I.D. (incl. in Item 43)	1	
4	15237	Key	1	
5	8835	Coupler	1	
6	NSP	Gerotor, Inner	1	
7	NSP	Gerotor, Outer	1	
8	19116	Charge Pump Kit	1	
9	8845	Check Valve Ass'y.	2	
10	25096	Backplate Ass'y.	1	
11	8789	Gasket (incl. in Item 43)	1	
12	19114	Rotating Group Kit	1	
13	NSP	Cylinder Block	1	
14	NSP	Pin Keeper	1	
15	NSP	Spider	1	
16	NSP	Pivot	1	
17	NSP	Piston	9	
18	8840	L.H. Camplate	1	
19	8794	'O' Ring 1/16" x 5/8" I.D. (incl. in Item 43)	1	
20	8796	Retaining Ring (incl. in Item 43)	2	
21	8847	Inner Race	2	
22	8849	Trunion Cover	1	
23	8792	'O' Ring 3/32" x 1 15/16" I.D. (incl. in Item 43)	2	
24	8846	Bearing	2	
25	8848	Cover Sleeve	1	
26	951074	House Assembly	1	
27	8836	Shaft	1	
28	8798	Retaining Ring (incl. in Item 43)	2	
29	8843	Thrust Bearing	1	
30	8844	Thrust Race	2	
31	NSP	Bolt Torque 27-31 Ft. Lbs. (37-42 N.M.)	2	
32	NSP	Washer	1	
33	9034	Gasket (incl. in Item 43)	1	
34	8797	Retaining Ring (incl. in Item 43)	1	
35	8799	Shaft Seal (incl. in Item 43)	1	
36	NSP	Washer	2	
40	30950	Relief Valve Ass'y. 3750 PSI (285.5 Bar)	2	
*43	25097	Seal Repair Kit (incl. 3, 11, 19, 20, 23, 28, 33, 34, 35, 41, 42)	1	

\*Seal Kit Contains Seals to Repair both 25099 & 25098 (Pump)



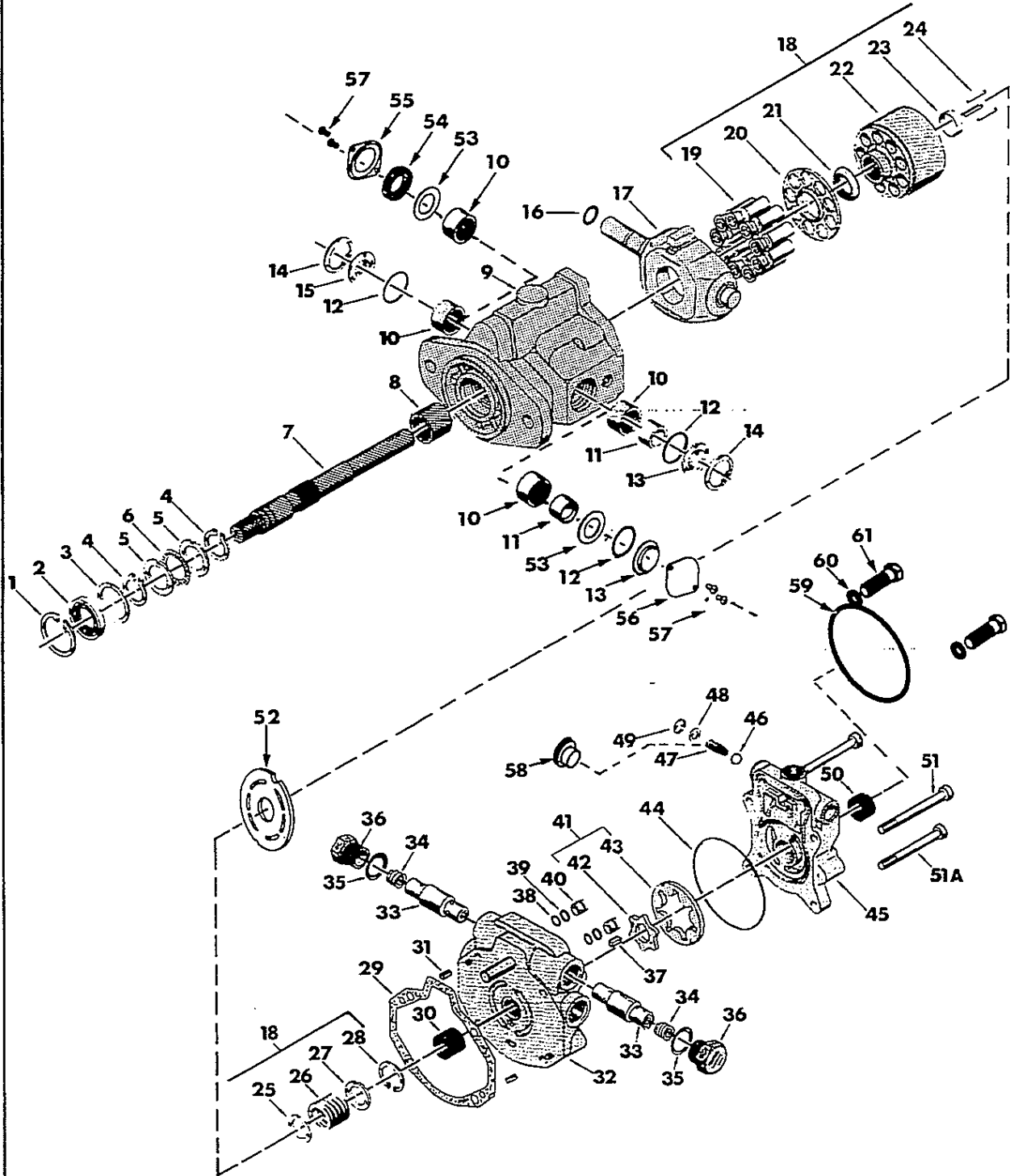
# FRONT HYDROSTATIC PUMP (WITH CHARGE PUMP) — T133

5.2.1

REF.	PART NO.	DESCRIPTION	QUANTITY T133	SERIAL NO.
	14945	L.H. Hydrostatic Pump	1	
1	8871	Snap Ring	1	
2	8873	Shaft Seal (Incl. in Item 66)	1	
3	14971	Washer	1	
4	8872	Retaining Ring	2	
5	8863	Thrust Washer	2	
6	8864	Thrust Bearing	1	
8	8862	Bearing	1	
9	15227	Housing	1	
10	14959	Bearing	2	
12	14965	'O' Ring (Incl. in Item 66)	2	
13	14960	Cover	1	
14	8797	Snap Ring	2	
15	14957	Sleeve Cover	1	
18	14966	'O' Ring (Incl. in Item 66)	1	
30	14964	Bearing	1	
31	14961	Gasket (Incl. in Item 66)	1	
32	N.S.P.	Pin	2	
34	30950	Relief Valve 3750 PSI (285.5 Bar)	2	
39	8845	Check Valve	2	
45	N.S.P.	Bolts, Torque 27-31 ft. lbs. (37-42 N.M.)	2	
48	15236	Shaft	1	
49	15228	Camplate	1	
50	22208	Back Plate Assembly	1	
51	15237	Key	1	
55	14973	'O' Ring (Incl. in Item 66)	1	
56	15235	Poppet	1	
57	15233	Spring	1	
58	8780	Washer	1	
59	15234	Retaining Ring	1	
60	15231	Pump Adaptor	1	
61	N.S.P.	Bolt, Torque 27-31 ft. lbs. (37-42 N.M.)	2	
62	15232	Bearing	1	
64	14948	Rotating Group (Incl. 20 through 29)	1	
65	15238	Charge Pump Kit (Incl. 52 & 53)	1	
*66	952826	Major Seal Repair Kit (Incl. 2, 12, 18, 31, 27, 38, 55, 59)	1	

\*Seal Kit contains seals to repair both 14945 and 14946 pumps.

\*\*Up to LE003350, LE003352 - LE003359, LE003375 - LE003378, LE003382, LE003384 - LE003386

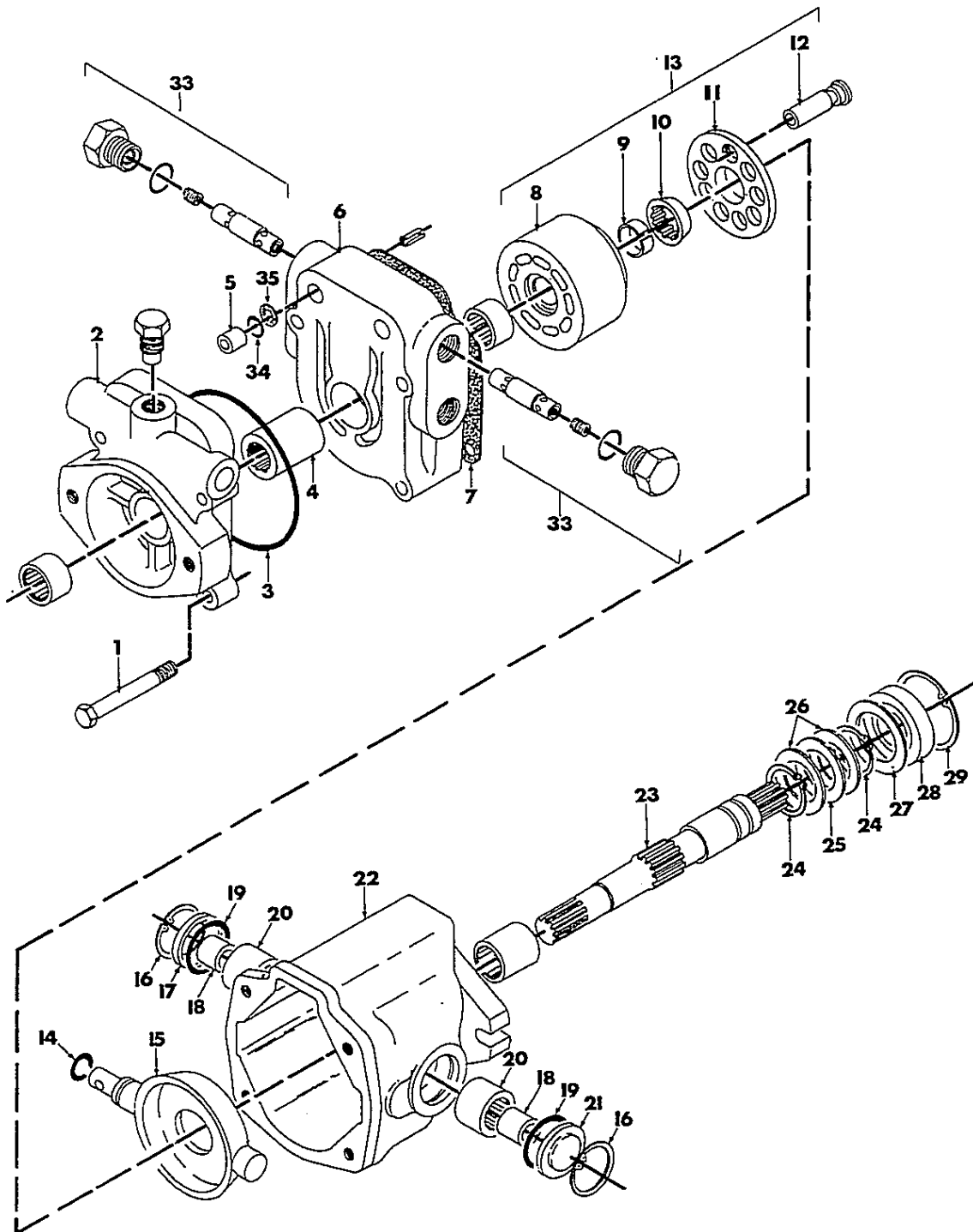


# FRONT HYDROSTATIC PUMP (WITH CHARGE PUMP) - T133

5.2.2

REF.	PART NO.	DESCRIPTION	QUANTITY T133	SERIAL NO.
	14945	L.H. Hydrostatic Pump	1	
1	8871	Snap Ring	1	
2	8873	Shaft Seal (Inc. in item 62)	1	
3	14971	Washer	1	
4	8872	Retaining Ring	2	
5	8863	Thrust Washer	2	
6	8864	Thrust Bearing	1	
7	15236	Drive Shaft	1	
9	34466	Housing	1	
10	14959	Bearing	2	
11	26650	Inner Race	1	
12	34467	'O'Ring	2	
13	34471	'O'Ring Cover	1	
16	14966	'O'Ring (Inc. in item 62)	1	
17	34474	Camplate	1	
18	34475	Rotating Group (Inc. 19 through 28)	1	
29	14961	Gasket (Inc. in item 62)	1	
31	34478	Pin	2	
32	34479	Back Plate Ass'y	1	
33	30950	Relief Valve 3150 PSI (285.5 Bar)	2	
34	N.S.P.	Spring	2	
35	N.S.P.	'O'Ring	2	
36	N.S.P.	Plug Ass'y	2	
37	15237	Key	1	
41	15238	Charge Pump Kit (inc. 42 & 43)	1	
42	15469	Inner Gerotor Gear	1	
43	15468	Outer Gerotor	1	
44	34484	'O'Ring, Molded (Inc. in item 62)	1	
45	15231	Pump Adapter	1	
46	15235	Poppet	1	
47	34485	Spring	1	
51	N.S.P.	Bolts, Torque 27-31 ft. lbs. (37-42 N.M.)	2	
51A	N.S.P.	Bolts, Torque 27-31 ft. lbs. (37-42 N.M.)	1	
52	34476	Valve Plate	1	
53	34468	Washer	2	
54	8799	Shaft Seal	1	
55	34470	Seal Cover	1	
56	34472	Trunnion Cover	1	
57	34473	Screws	4	
58	34486	Spring Retainer	1	
59	8786	'O'Ring	1	
60	34488	Washer	4	
61	34487	Cap Screw	2	
62	34489	Seal Kit, Complete	1	

\*LE003341, LE003360 - LE003374, LE003377, LE003379 - LE003381, LE003383, LE003385, LE003387 - ONWARD



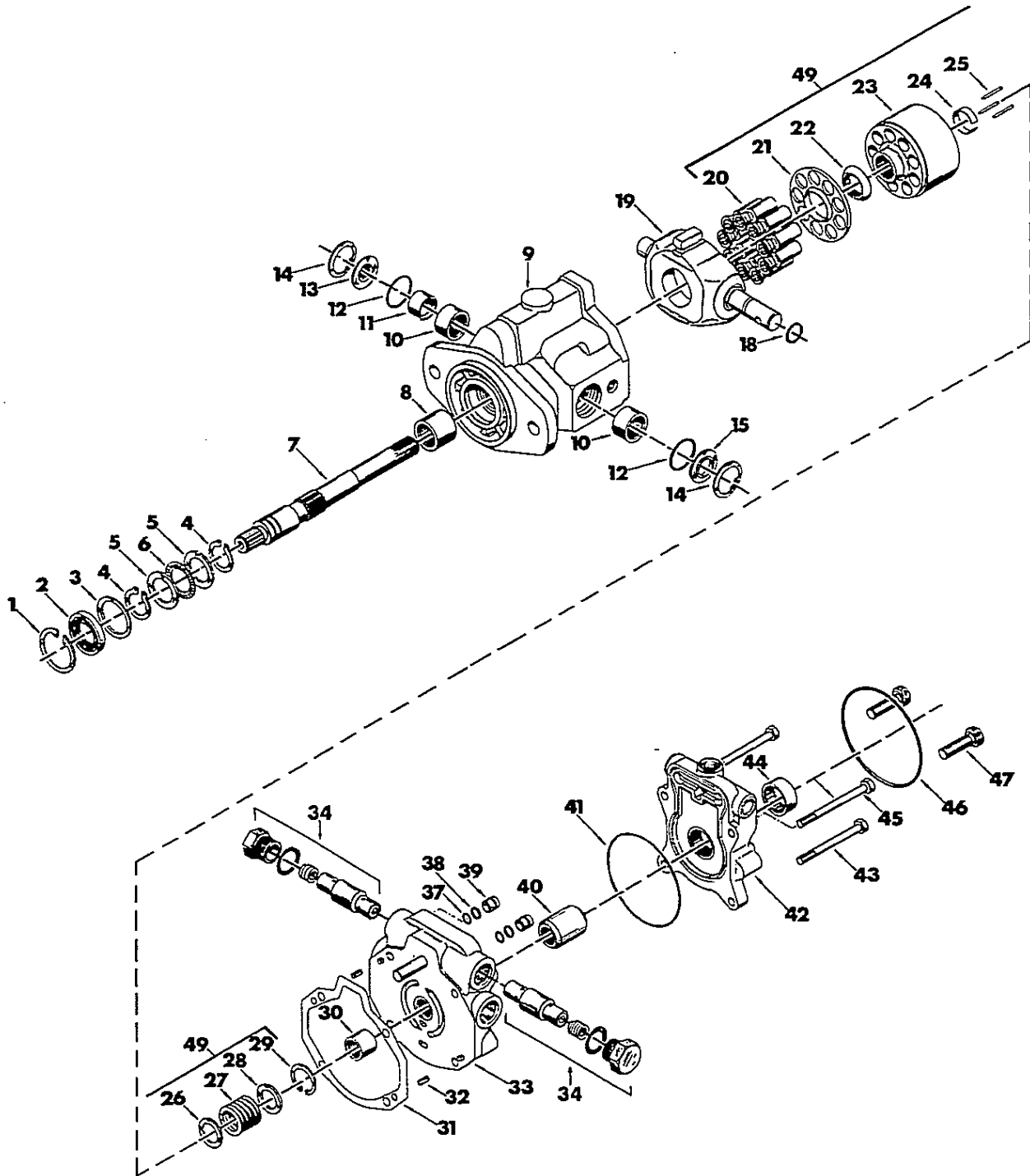
# REAR HYDROSTATIC PUMP — T103

5.3

REF.	PART NO.	DESCRIPTION	QUANTITY T-103	SERIAL NO.
	25099	Complete Pump	1	
1	NSP	Bolt Torque 17-20 Ft. Lbs. (23-27 N.M.)	4	
2	951076	Pump Adaptor	1	
3	8793	'O' Ring 3/32" x 4 1/2" I.D. (incl. in Item 36)	1	
4	8850	Coupler	1	
5	8845	Check Valve	2	
6	25096	Backplate Ass'y.	1	
7	8789	Gasket (incl. in Item 36)	1	
8	NSP	Piston Block	1	
9	NSP	Pin Keeper	1	
10	NSP	Pivot	1	
11	NSP	Spider	1	
12	NSP	Piston	9	
13	19114	Rotating Group Kit	1	
14	8794	'O' Ring 1/16" x 5/8" I.D. (incl. in Item 36)	1	
15	8852	R.H. Camplate	1	
16	8796	Retaining Ring (incl. in Item 36)	2	
17	8848	Cover Sleeve	1	
18	8847	Inner Race	2	
19	8792	'O' Ring 3/32" x 1 15/16" I.D. (incl. in Item 36)	2	
20	8846	Bearing	2	
21	8849	Trunion Cover	1	
22	951074	Housing	1	
23	8851	Shaft	1	
24	8798	Retaining Ring (incl. in Item 36)	2	
25	8843	Thrust Bearing	1	
26	8844	Thrust Race	2	
27	NSP	Washer	1	
28	8799	Seal (incl. in Item 36)	1	
29	8797	Retaining Ring (incl. in Item 36)	1	
33	30950	Relief Valve Ass'y. — 3750 PSI (285.5 Bar)	1	
*36	25097	Seal Repair Kit (incl. 3, 7, 14, 16, 19, 24, 28, 29, 34, 35)		

\*Seal Kit Contains Seals to Repair both 25099 & 25098 pumps





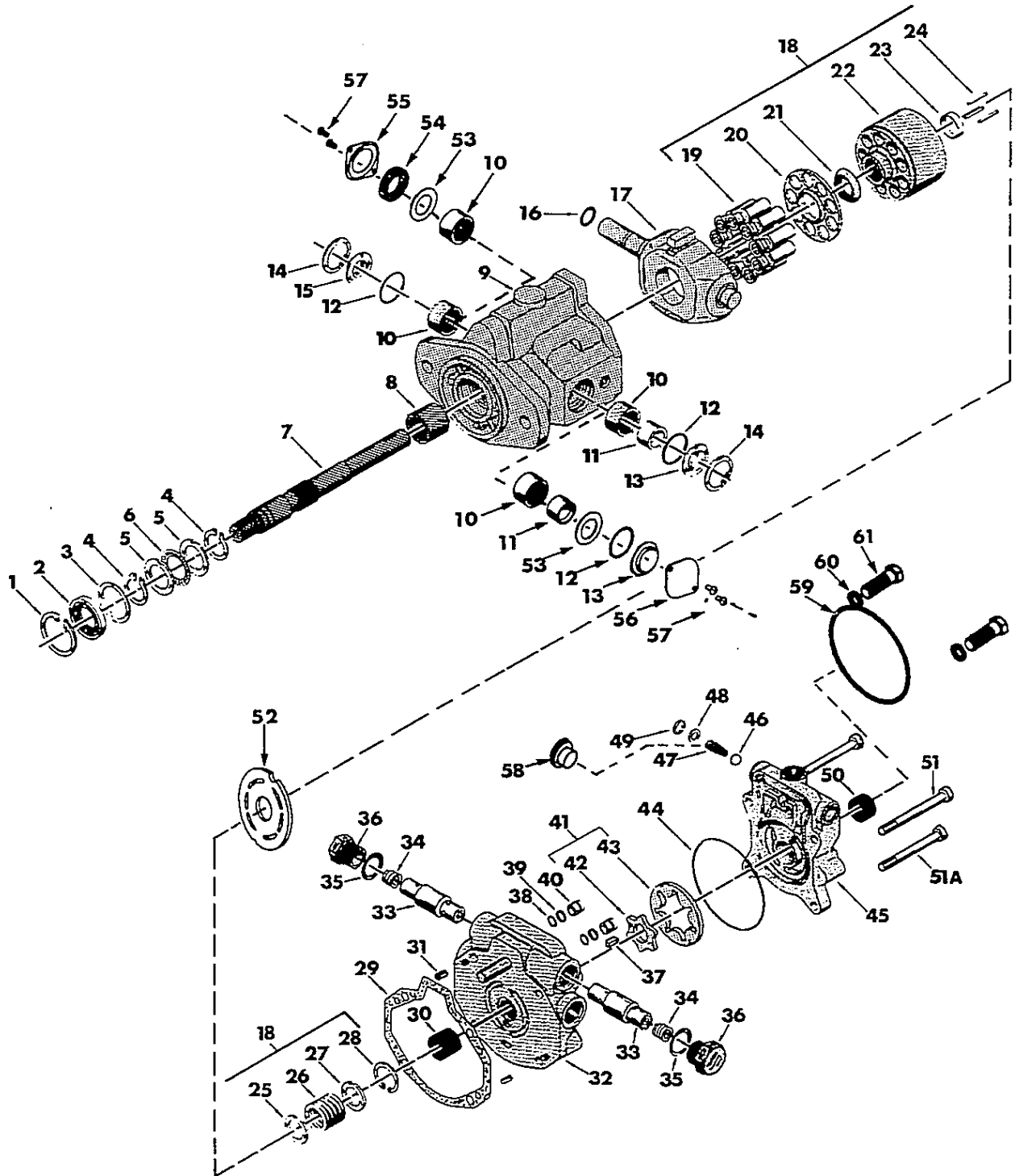
# REAR HYDROSTATIC PUMP — T133..

5.3.1

REF.	PART NO.	DESCRIPTION	QUANTITY T103	SERIAL NO.
	14946	R.H. Hydrostatic Pump	1	
1	8871	Retaining Ring	1	
2	8873	Shaft Seal (incl. in item #50)	1	
3	14971	Washer	1	
4	8872	Retaining Ring	2	
5	8863	Thrust Washer	2	
6	8864	Thrust Bearing	1	
7	15246	Shaft	1	
8	8862	Bearing	1	
9	15227	Housing	1	
10	14956	Bearing	2	
11	26650	Inner Race	1	
12	14965	'O' Ring (incl. in item #50)	2	
13	14960	Cover	1	
14	8797	Retaining Ring	2	
15	14957	Sleeve Cover	1	
18	14966	'O' Ring (incl. in item #50)	1	
19	14958	Camplate	1	
30	14964	Bearing	1	
31	14961	Gasket (incl. in item #50)	1	
33	22207	Back Plate Assembly	1	
34	30950	Relief Valve 3750 PSI (285.5 Bar)	2	
39	8845	Check Valve	2	
40	15241	Coupler	1	
41	8793	'O' Ring (incl. in item #50)	1	
42	15242	Pump Adaptor	1	
43	N.S.P.	Bolts, Torque 27-31 ft. lbs. (37-42 N.M.)	2	
44	15243	Bearing	1	
45	N.S.P.	Bolts, Torque 27-31 ft. lbs. (37-42 N.M.)	2	
46	14972	'O' Ring (incl. in item #50)	1	
47	N.S.P.	Bolts, Torque 55-60 ft. lbs. (75-81 N.M.)	2	
49	14948	Rotating Group (incl. 20 through 29)	1	
*50	952826	Major Seal Repair Kit	1	
		(incl. 2, 12, 18, 31, 37, 38, 41, 46)		
			1	

\*Seal Kit contains seals to repair both 14945 and 14946 pumps.

\*\*Up to LE003350, LE003352 - LE003359, LE003375 - LE003378, LE003382, LE003384 - LE003386



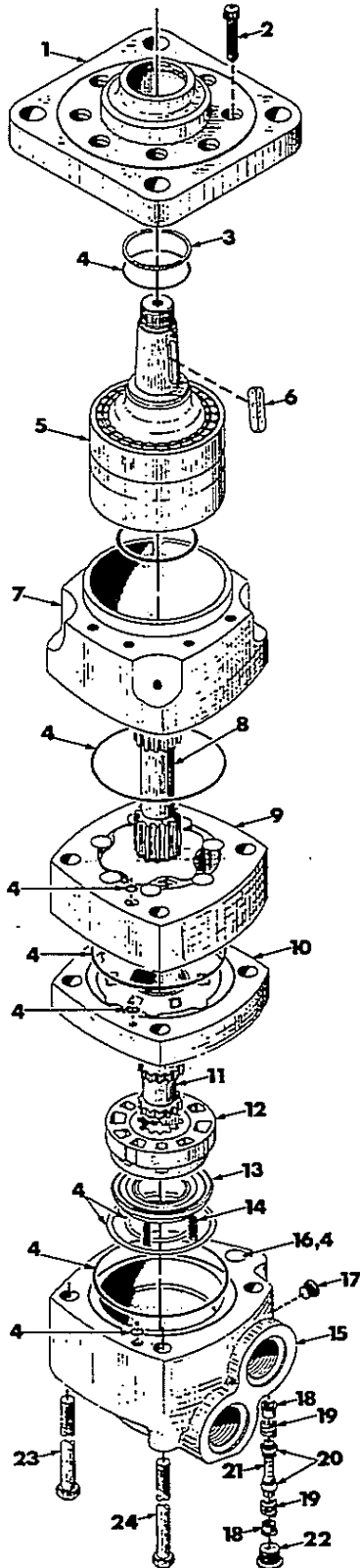
**REAR HYDROSTATIC PUMP — T133**

**5.3.2**

REF.	PART NO.	DESCRIPTION	QUANTITY T133	SERIAL NO.
	33923	Hydrostatic Pump	1	
1	8871	Retaining Ring	1	
2	8873	Shaft Seal (Inc. in item 62)	1	
3	14971	Washer	1	
4	8872	Retaining Ring	2	
5	8863	Thrust Washer	2	
6	8864	Thrust Bearing	1	
7	15246	Drive Shaft, Splined	1	
9	34466	Housing	1	
10	8862	Bearing	1	
11	26650	Inner Race	1	
12	34467	'O'Ring	2	
13	34471	'O'Ring Cover	1	
15	14957	Sleeve Cover	1	
16	14966	'O'Ring (Inc. in item 62)	1	
17	34474	Camplate	1	
18	34475	Rotating Group (Inc. 19 through 28)	1	
29	14961	Gasket (Inc. in item 62)	1	
30	15241	Coupler	1	
31	34478	Pin	2	
32	34490	Back Plate Ass'y	1	
33	30950	Relief Valve 3750 PSI (285.5 Bar)	2	
34	N.S.P.	Spring	2	
35	N.S.P.	'O'Ring	2	
36	N.S.P.	Plug Ass'y	2	
44	34491	'O'Ring, Molded (Inc. in item 62)	1	
45	34492	Pump Adapter	1	
51	N.S.P.	Bolts, Torque 27-31 ft. lbs. (37-42 N.M.)	2	
51A	N.S.P.	Bolts, Torque 27-31 ft. lbs. (37-42 N.M.)	1	
52	34476	Valve Plate	1	
53	34468	Washer	2	
54	8799	Shaft Seal	1	
55	34470	Seal Cover	1	
56	34472	Trunnion Cover	1	
57	34473	Screws	4	
59	14972	'O'Ring	1	
61	34493	Cap Screw	2	
62	34489	Seal Kit, Complete	1	

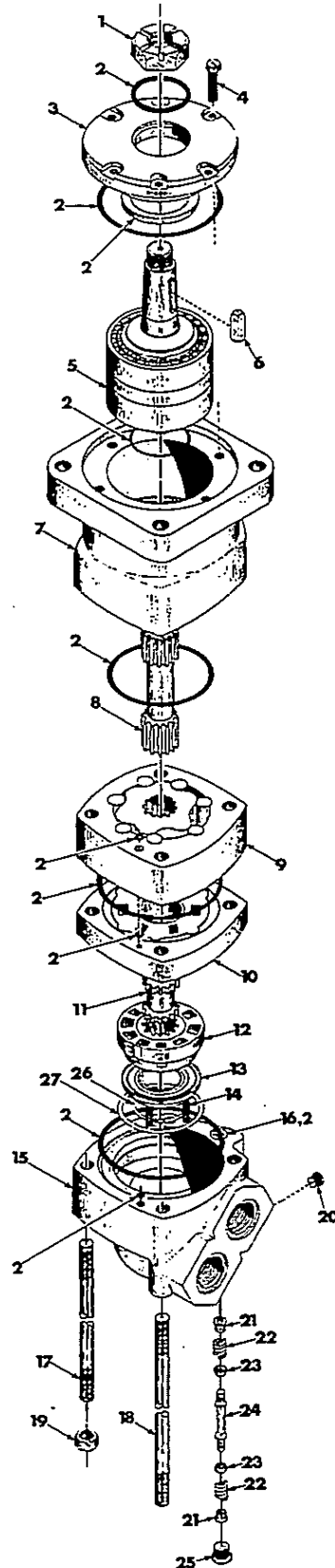
\*LE003351, LE003360 - LE003374, LE003377, LE003379 - LE003383, LE003385, LE003387 - ONWARD

### T103



1230

### T133



1025-R

# TORQUE MOTOR - T103

5.4

REF.	PART NO.	DESCRIPTION	QUANTITY T103	SERIAL NO.
	24441	005 Series Torque Motor Ass'y	1	TO LC000199
	26823	006 Series Torque Motor Ass'y	1	LC0000200 - onward
1	24987	Front Retainer (005 Series)	1	TO LC000199
1	25344	Front Retainer (006 Series)	1	LC0000200 - onward
2	24982	Cap Screw	8	
3	24983	Back-up Washer (005 Series only)	1	TO LC000199
4	24984	Seal Kit	1	
5	24985	Shaft Sub Assembly (005 Series)	1	TO LC000199
5	25345	Shaft Sub Assembly (006 Series)	1	LC0000200 - onward
6	24986	Key	1	
7	24987	Bearing House	1	
8	24988	Main Drive (005 Series)	1	TO LC000199
8	25347	Main Drive (006 Series)	1	LC0000200 - onward
9	24989	Geroler Sub Assembly	1	
10	24990	Valve Plate	1	
11	24991	Valve Drive	1	
12	24992	Valve	2	
13	24993	Balancing Ring Sub Assembly	1	
14	22109	Compression Spring	2	
15	24994	Valve Housing	1	
16	24995	Plug	1	
17	22110	Plug Sub Assembly	1	
18	22111	Dash Pot Sleeve	2	
19	22115	Spring	2	
20	22119	Poppet	2	
21	22120	Piston	1	
22	22121	Plug Sub Assembly	1	
23	24996	Bolt	3	
24	24997	Bolt	1	

NOTE: T103 Front Retainer Seal arrangement for 005 Series Motor is illustrated.  
006 Series Motor is different than shown

# TORQUE MOTOR - T133

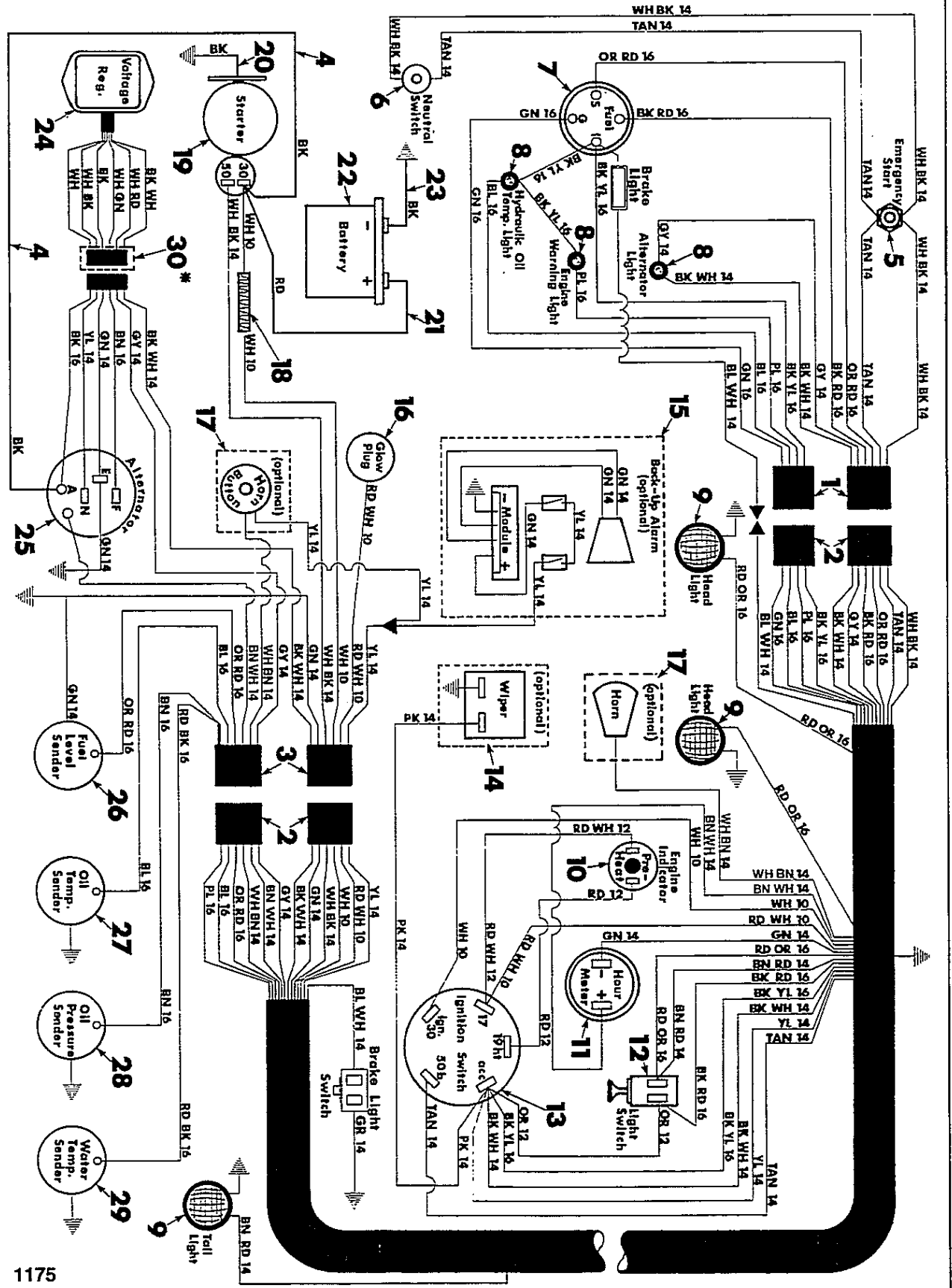
REF.	PART NO.	DESCRIPTION	QUANTITY T133	SERIAL NO.
	22581	Hydraulic Torque Motor Assembly	1	
1	22071	Nut, Hex (Slotted)	1	
2	22117	Seal Kit (Inc. items 26 & 27)	1	
3	22072	Retainer, Front	1	
4	22073	Bolt, Retainer	6	
5	22074	Shaft, Sub-Assembly	1	
6	22075	Key	1	
7	22087	Housing, Bearing	1	
8	22088	Drive, Main	1	
9	22090	Geroler, Sub-Assembly	1	
10	22105	Plate, Valve	1	
11	22106	Drive, Valve	1	
12	22107	Valve	1	
13	22108	Balancing Ring Sub-Assembly	1	
14	22109	Spring, Compression	3	
15	22112	Housing, Valve	1	
16	22089	Plug	1	
17	22113	Stud	2	
18	22114	Stud	2	
19	22116	Nut, Hex	4	
20	22110	Plug, Sub-Assembly	1	
21	22111	Sleeve, Dash Pot	2	
22	22115	Spring	2	
23	22119	Poppet	2	
24	22120	Piston	1	
25	22121	Plug, Sub-Assembly	1	
26	34181	Inner Face Seal	1	
27	34182	Outer Face Seal	1	

**ELECTRICAL SYSTEM 6**

D-12 Electrical System (T103/133) .....6.1

E-1 Electrical System (T132) .....6.2

**ELECTRICAL  
SYSTEM**

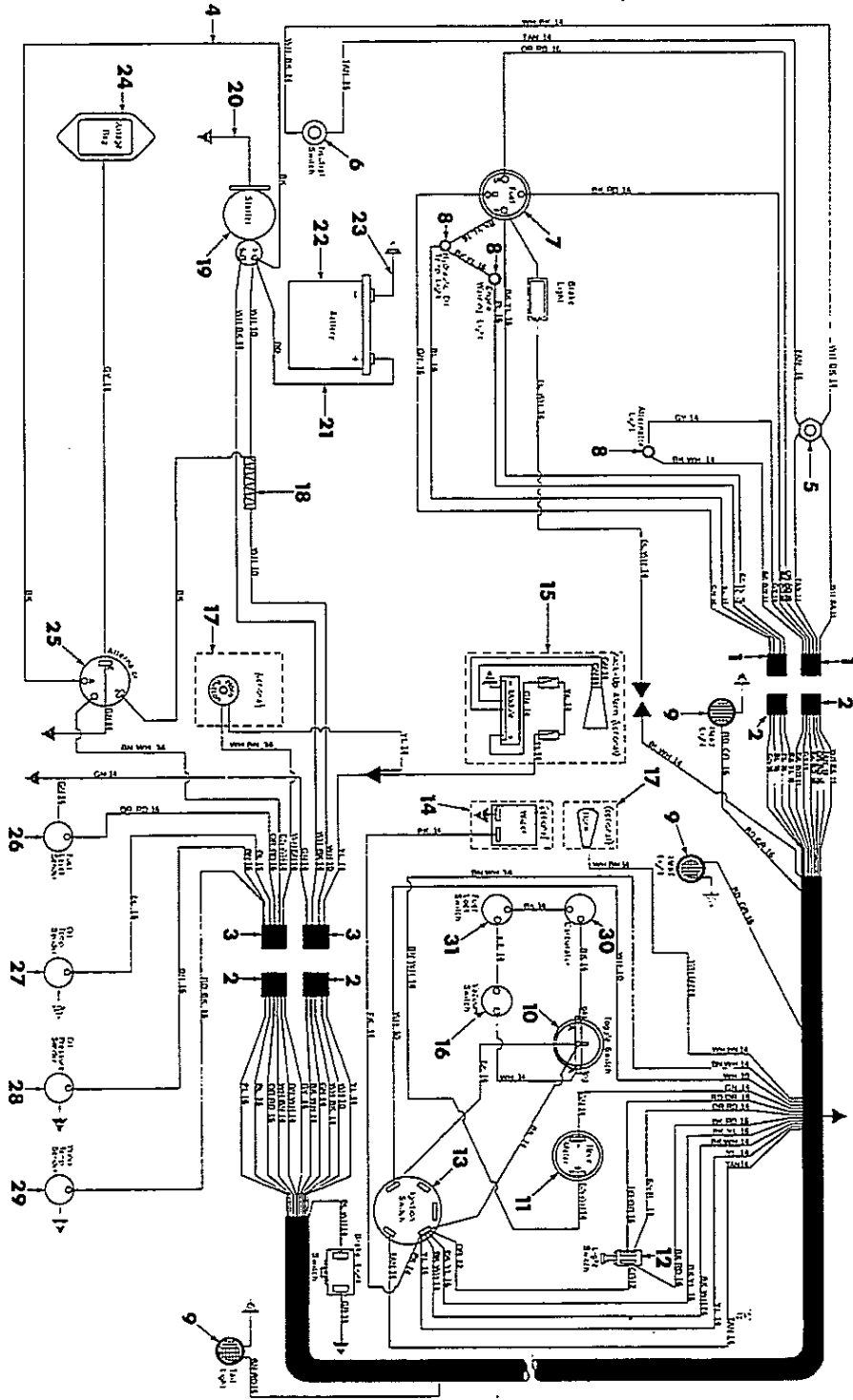




# ELECTRICAL SYSTEM - T103 - T133

6.1

REF.	PART NO.	DESCRIPTION	QUANTITY		SERIAL NO.
			T103	T133	
1	26851	L.H. R.O.P.S. Harness	1	1	TO LC000445 LE001749
1	957695	L.H. R.O.P.S. Harness	1	1	LC000446 - onward LE001750 - onward
2	23519	R.H. R.O.P.S. Harness	1	1	
3	30043	Engine Harness	1	1	
4	20432	Alternator to Starter Wire	1	1	
5	23665	Emergency Start Button	1	1	
6	23439	Neutral Switch	1	1	TO LC000445 LE001749
6	26857	Neutral Switch	1	1	LC000446 - onward LE001750 - onward
7	17121	Fuel Gauge	1	1	
8	22962	Warning Light	3	3	
9	29971	Work Light (Round)	1	1	
9	25760	Work Light (Rectangular)	2	2	
10	19603	Pre-Heat Indicator	1	-	
10	21415	Pre-Heat Indicator	-	1	
11	36097	Hour Meter	1	1	
12	6526	Light Switch	1	1	
13	19605	Ignition Switch / Wiper - Optional	1	1	
14	15935	Windshield Wiper Motor	1	1	
	15936	Wiper Arms	1	1	
	15937	Wiper Blade	1	1	
15	U-1395	Back-up Alarm (optional)	1	1	
	17099	Switch (one only)	2	2	
16	19494	Glow Plug / Horn - Optional	3	4	
17	6521	Horn (only)	1	1	
	6522	Horn Button	1	1	
18	21927	40 Amp. Circuit Breaker	1	1	
19	19487	Starter	1	1	
20	22812	Gnd. Battery Cable 12" L / Eng. to Frame; Cab to Frame	2	2	
21	23273	Positive Battery Cable 42" L	1	1	
22	3547	Battery 12 V. - 85 Amp. Hr.	1	1	
23	23272	Gnd. Battery Cable 16" L. Bat. to Cab.	1	1	
24	957384	Voltage Regulator	1	1	
25	19559	Alternator	1	-	
25	22195	Alternator	-	1	
26	23178	Fuel Level Sender	1	1	
27	31381	Oil Temperature Sender 225°F (107°C)	1	1	TO LC000690 TO LE004717
27	37206	Oil Temperature Sender	1	1	LC000691 - onward LE004718 - onward
	37207	Adapter	1	1	LC000691 - onward LE004718 - onward
28	18724	Oil Pressure Sender	1	1	
29	24259	Water Temperature Sender 225°F	1	1	TO LE004733
29	37206	Water Temperature Sender 225°F	1	1	LE004734 - onward
*30	30038	Six Contact Connector (Locking)	1	1	
31	26231	Brake Light	1	1	
32	26208	Brake Light Switch	1	1	
33	21579	Battery Hold Down Clamp	1	1	
34	25456	Positive Terminal Cover	1	1	
35	18683	Key (Set of 2)			



# ELECTRICAL SYSTEM — T132

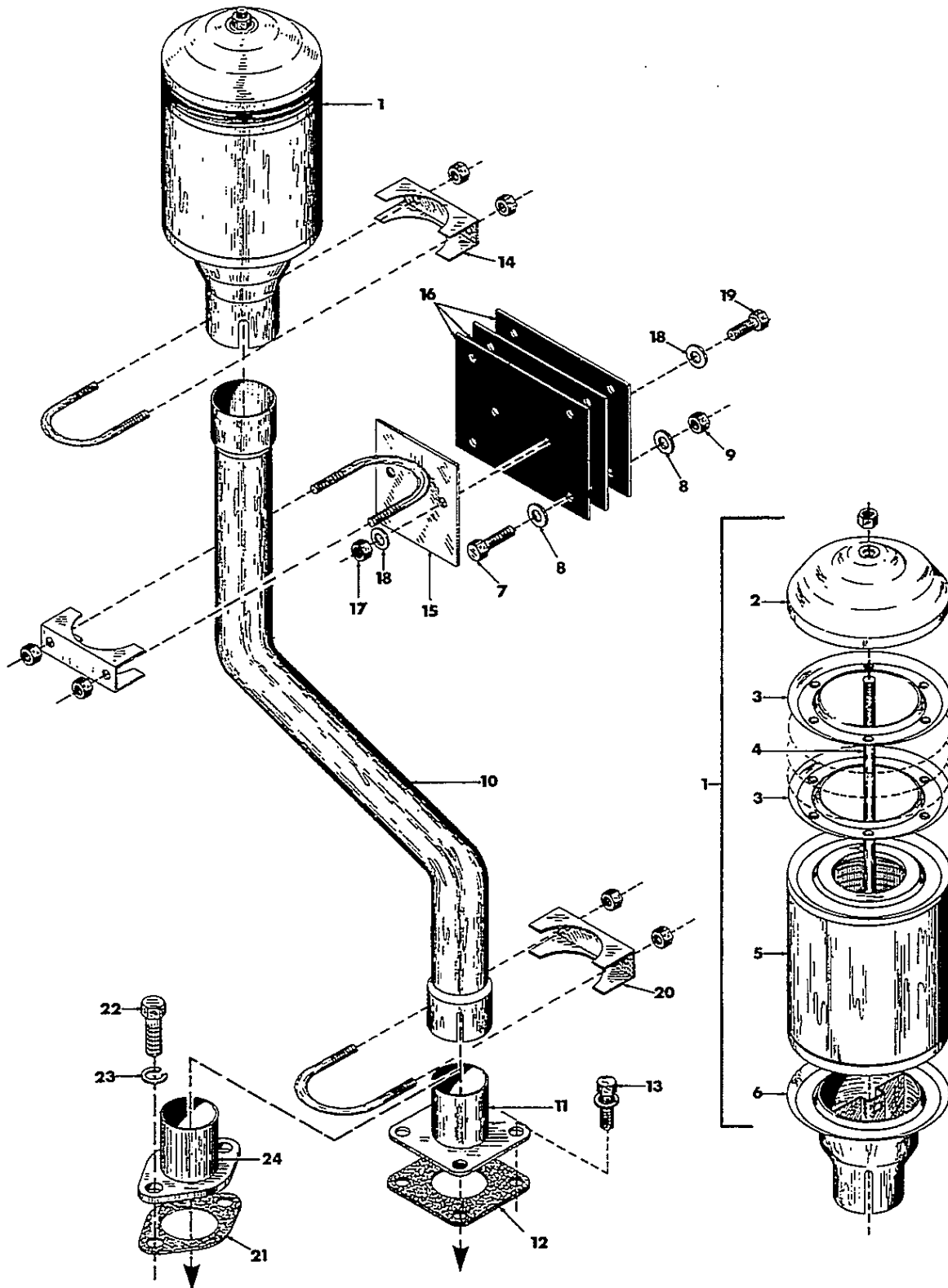
6.2

REF.	PART NO.	DESCRIPTION	QUANTITY	SERIAL NO.
1	957695	L.H. R.O.P.S. Harness	1	
2	23519	R.H. R.O.P.S. Harness	1	
3	31704	Engine Harness	1	
4	20432	Alternator to Starter Wire	1	
5	23665	Emergency Start Button	1	
6	26857	Neutral Switch	1	
7	17121	Fuel Gauge	1	
8	22962	Warning Light	3	
9	29971	Work Light (round)	1	
9	25760	Work Light (rectangular)	2	
10	32294	Toggle Switch	1	
11	36097	Hour Meter	1	
12	6526	Light Switch	1	
13	19605	Ignition Switch	1	
		Wiper — Optional		
14	15935	Windshield Wiper Motor	1	
	15936	Wiper Arms	1	
	15937	Wiper Blade	1	
		Back-up Alarm — Optional		
15	24961	6" Horn and Module	1	
	17099	Switch (one only)	2	
16	33474	Vacuum Switch	1	
17	6521	Horn (only)	1	
	6522	Horn Button	1	
18	21927	40 Amp. Circuit Breaker	1	
19	32146	Starter	1	
20	22812	Grnd. Battery Cable 12" L.	2	
		Eng. to Frame; Cab to Frame		
21	23273	Positive Battery Cable 42" L.	1	
22	3547	Battery 12 V.	1	
23	23272	Grnd. Battery Cable 16" L. Bat. to Cab	1	
24	See Item 25	Voltage Regulator	1	
25	32147	Alternator	1	
26	23178	Fuel Level Sender	1	
27	31381	Oil Temperature Sender 225°F (107°C)	1	TO LEG000134
27	37206	Oil Temperature Sender	1	LEG000135 - onward
28	18724	Oil Pressure Sender	1	
29	31381	Water Temperature Sender 225°F (107°C)	1	
30	33475	Carburator	1	
31		Fuel Lock Switch	1	
32	26231	Brake Light	1	
33	26208	Brake Light Switch	1	
34	21579	Battery Hold Down Clamp	1	
35	25456	Positive Terminal Cover	1	
36	18683	Key (set of 2)		

**ENGINE EQUIPMENT 7**

E-2 Exhaust System (T103/133) .....7.1  
E-2 Exhaust System (T132) .....7.1  
E-3 Air Cleaner (T103/133) .....7.2  
E-3 Air Cleaner (T132) .....7.2  
E-4 Universal Joint .....7.3  
E-5 Radiator and Engine Mounts .....7.4





## EXHAUST SYSTEM — T103/T133

7.1

REF.	PART NO.	DESCRIPTION	QUANTITY		SERIAL NO.
			T103	T133	
1	21291	Muffler Comp. (Discojet)	1	—	
1	21146	Muffler Comp. (Discojet)	—	1	
2	21293	End Cap	1	1	
3	21294	Diffuser Disc 3/Pack	As Req'd	As Req'd.	
3	37367	Diffuser Disc/Single	1	1	
4	21295	Center Bolt	1	1	
5	21296	Resonator	1	1	
6	21297	Adaptor	1	1	
7	25097	Bolt 1/4" UNC x 1 3/4" L. (Pl.)	4	4	
8	6357	Plainwasher 1/4" Dia. (Pl.)	4	4	
9	6645	Nut 1/4" UNC Nylok	4	4	
10	24872	Exhaust Pipe	1	—	
10	23565	Exhaust Pipe	—	1	
11	954396	Exhaust Flange Ass'y.	1	1	
12	19765	Exhaust Gasket	1	1	
13	18506	Bolt 8mm x 23mm L. & Springwasher	4	—	
*13	21554	Bolt 8mm x 22mm L.	—	4	
14	6262	Muffler Clamp — 2"	1	1	
15	954704	Exhaust Clamp Ass'y.	1	1	
*16	30310	Exhaust Pipe Mount	1	1	
17	16771	Nut 5/16" UNC Nylok	2	2	
18	1651	Plainwasher 5/16" Dia.	4	2	
19	2580	Bolt 5/16" UNC x 1 1/4" L.	2	2	
20	6262	Muffler Clamp — 2"	1	1	
	21029	Springwasher 8mm	—	4	

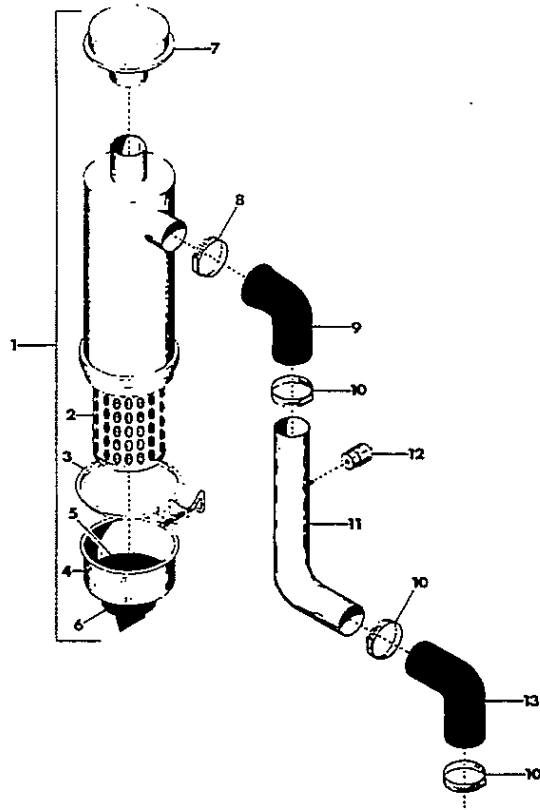
\*not exactly as illustrated

## EXHAUST SYSTEM — T132

7.1

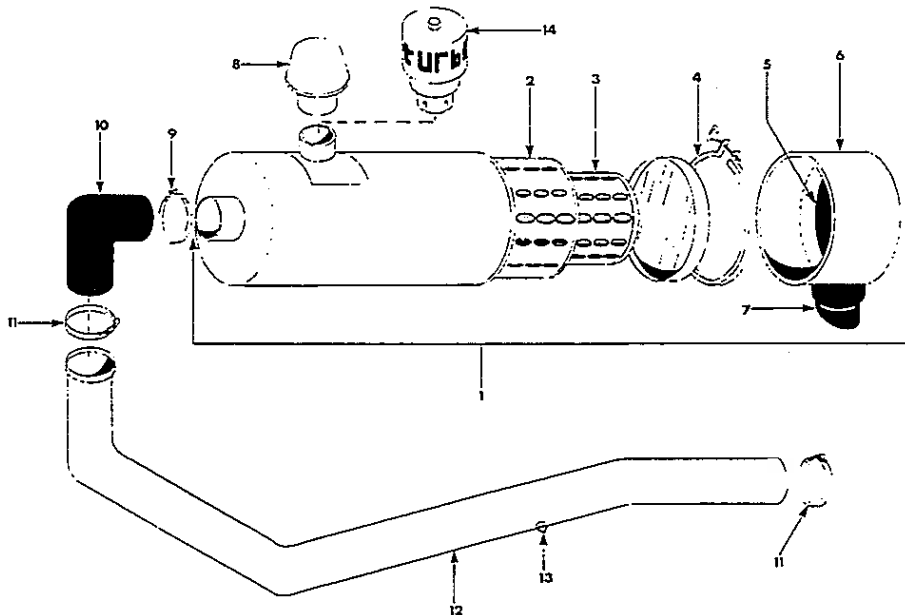
REF.	PART NO.	DESCRIPTION	QUANTITY	SERIAL NO.
			T132	
1	21146	Muffler Comp. (Discojet)	1	
2	21293	End Cap	1	
3	21294	Diffuser Disc 3/Pack	As Req'd.	
3	37367	Diffuser Disc/Single	1	
4	21295	Center Bolt	1	
5	21296	Resonator	1	
6	21297	Adaptor	1	
7	7723	Bolt, Hex 1/4" x 1 1/4" UNC	4	
8	1650	Washer, Flat 1/4" (Pl.)	4	
9	6645	Nut 1/4" UNC Nylok	4	
10	31707	Exhaust Pipe	1	
14	6262	Muffler Clamp — 2"	1	
15	958594	Exhaust Clamp Ass'y.	1	
16	30310	Exhaust Pipe Mount	1	
17	16771	Nut, Hex Nylok 5/16" UNC	2	
18	1651	Plainwasher 5/16" Dia.	2	
19	2580	Bolt 5/16" UNC x 1 1/4" L.	2	
20	6262	Muffler Clamp — 2"	1	
21	33478	Exhaust Gasket	1	
22	1672	Bolt	1	
23	1642	Lockwasher 3/8" Dia.	2	
24	958054	Exhaust Flange Ass'y.	1	

### T103/133



1028

### T132/133



2387

# AIR CLEANER — T103/T133

# 7.2

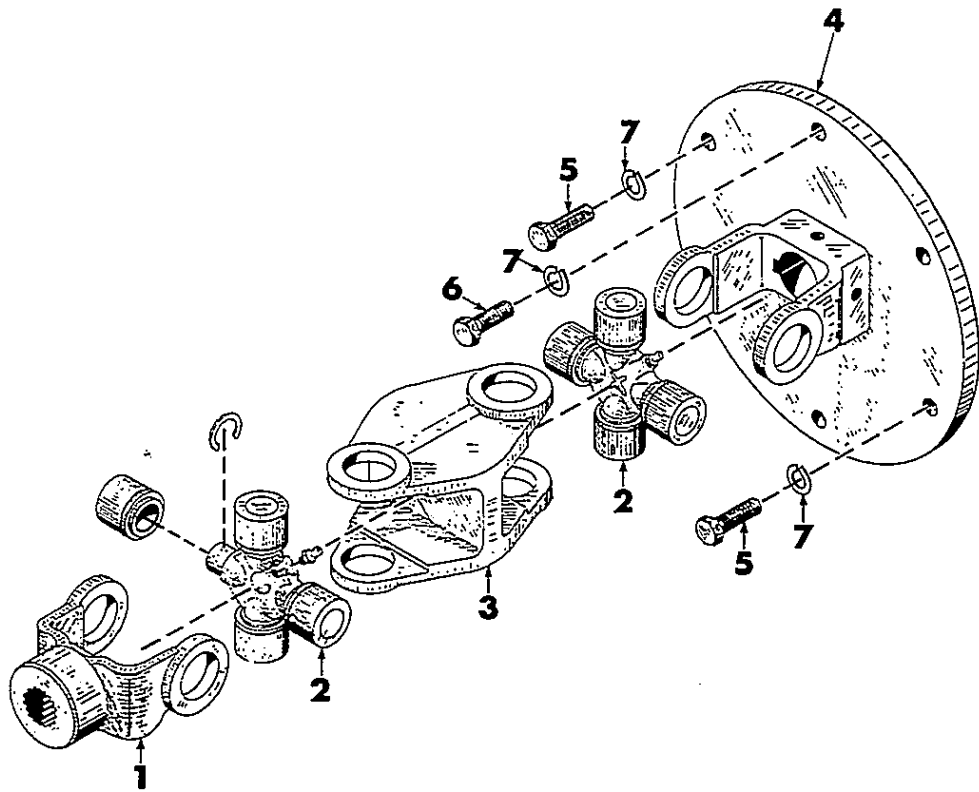
REF.	PART NO.	DESCRIPTION	QUANTITY		SERIAL NO.
			T103	T133	
1	6469	Air Cleaner Complete	1	—	TO LC000632
1	21575	Air Cleaner Complete	—	1	TO LE003827 LE003829 TO LE003831
2	6275	Element	1	—	TO LC000632
2	6505	Element	—	1	TO LE003827 LE003829 TO LE003831
3	6274	Clamp Ass'y	1	—	TO LC000632
3	23743	Clamp Ass'y	—	1	
4	6273	Cup (only)	1	—	TO LC000632
4	23745	Cup (only)	—	1	TO LE003827 LE003829 TO LE003831
5	24287	Rubber Baffle Skirt	1	—	TO LC000632
5	24954	Rubber Baffle Skirt	—	1	TO LE003827 LE003829 TO LE003831
6	24286	Vacuator Valve	1	1	
7	6265	Air Cleaner Cap	1	—	TO LC000632
7	31785	Air Cleaner Cap	—	1	TO LE003827 LE003829 TO LE003831
8	6268	Hose Clamp #2	1	—	TO LC000632
8	16138	Hose Clamp #2	—	1	TO LE003827 LE003829 TO LE003831
9	954443	Air Cleaner Hose Ass'y	1	—	TO LC000632
9	954442	Air Cleaner Hose Ass'y	—	1	TO LE003827 LE003829 TO LE003831
10	6268	Hose Clamp #32	3	3	TO LE003827 LE003829 TO LE003831
11	24893	Air Cleaner Pipe	1	—	TO LC000632
11	23210	Air Cleaner Pipe	—	1	TO LE003827 LE003829 TO LE003831
12	6270	Service Indicator	1	1	TO LE003827 LE003829 TO LE003831
13	954443	Air Cleaner Hose Ass'y	1	1	TO LE003827 LE003829 TO LE003831
*	16609	Mounting Band	—	2	TO LE003831

## AIR CLEANER LE003828 AND LE003832 - ONWARD, LC000633 - ONWARD 7.2

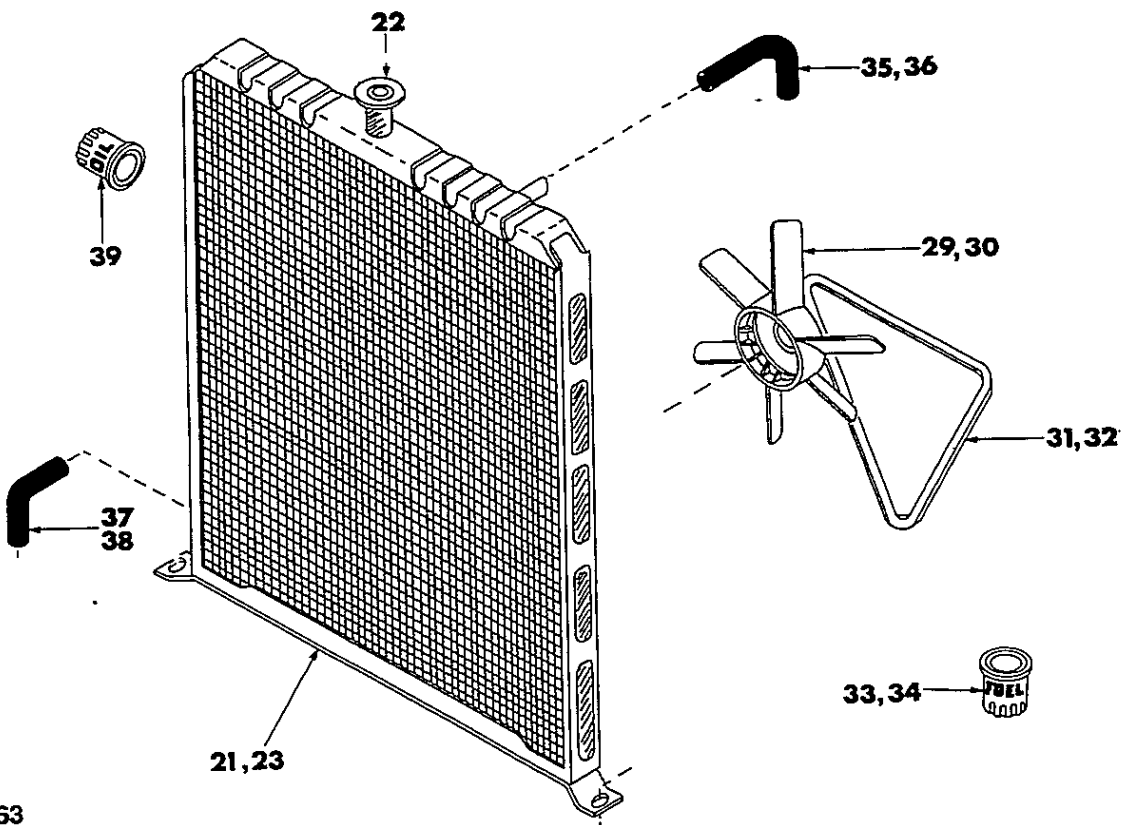
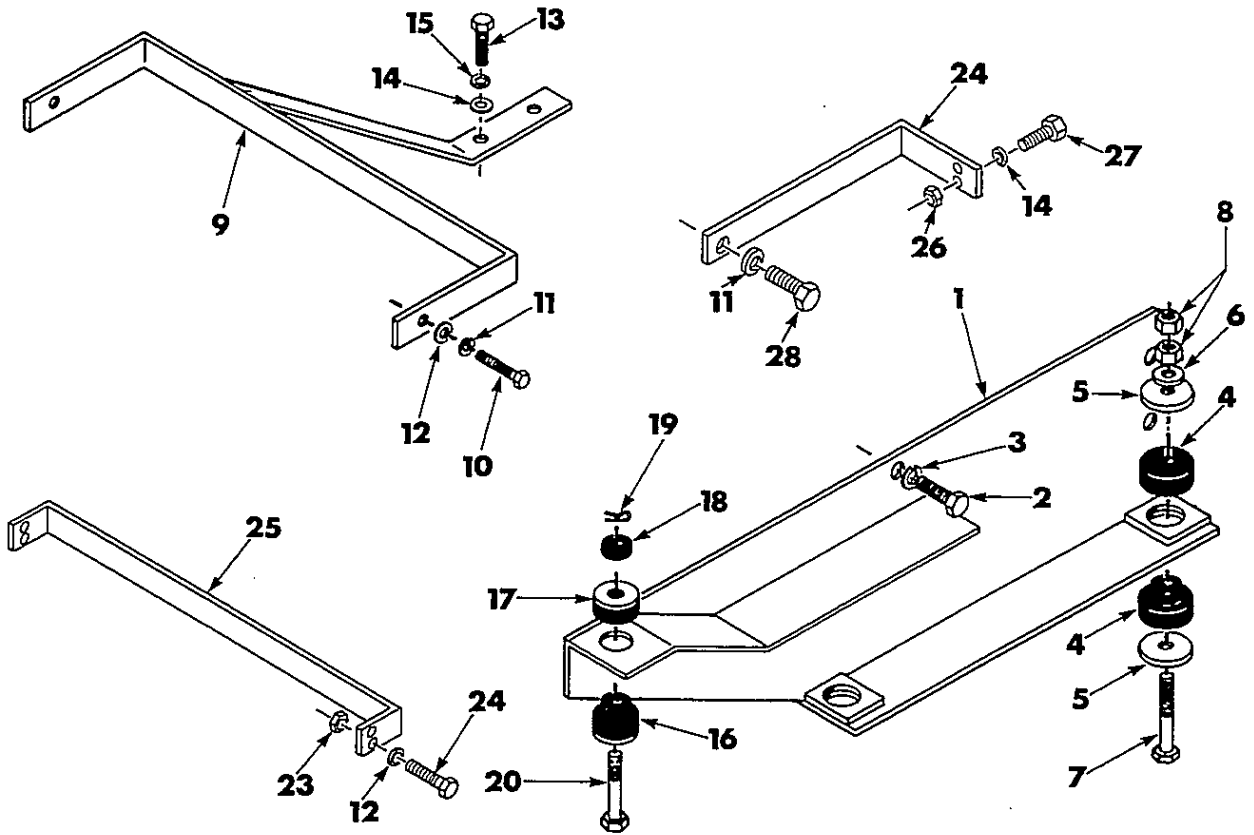
REF.	PART NO.	DESCRIPTION	QUANTITY			SERIAL NO.
			T103	T133	T132	
1	31783	Air Cleaner Ass'y	1	1	1	TO LE004800
1	37219	Air Cleaner Ass'y	—	1	—	LE004801 - onward
2	31787	Element	1	1	1	
3	31788	Safety Element (optional)	1	1	1	
*	33211	Safety Element Nut	1	1	1	
4	6274	Clamp Ass'y	1	1	1	
6	36822	Cup (only)	1	1	1	
7	36823	Vacuator Valve	1	1	1	TO LE004800
8	31785	Air Cleaner Cap	1	1	1	
9	12117	Hose Clamp 2 1/2" #40	2	2	2	
10	32520	Air Cleaner Hose Ass'y	1	1	1	
11	6268	Hose Clamp #32	1	1	1	
12	958602	Air Cleaner Tube Ass'y	—	1	—	
12	959046	Air Cleaner Tube Ass'y	1	1	1	
13	3605	Close Nipple 1/4"	1	1	1	
14	22233	Turbo Precleaner (optional)	1	1	1	
*15	7698	Support Bracket	1	1	1	
*16	31786	Mounting Band	2	2	2	LE003832 - onward

\*not illustrated







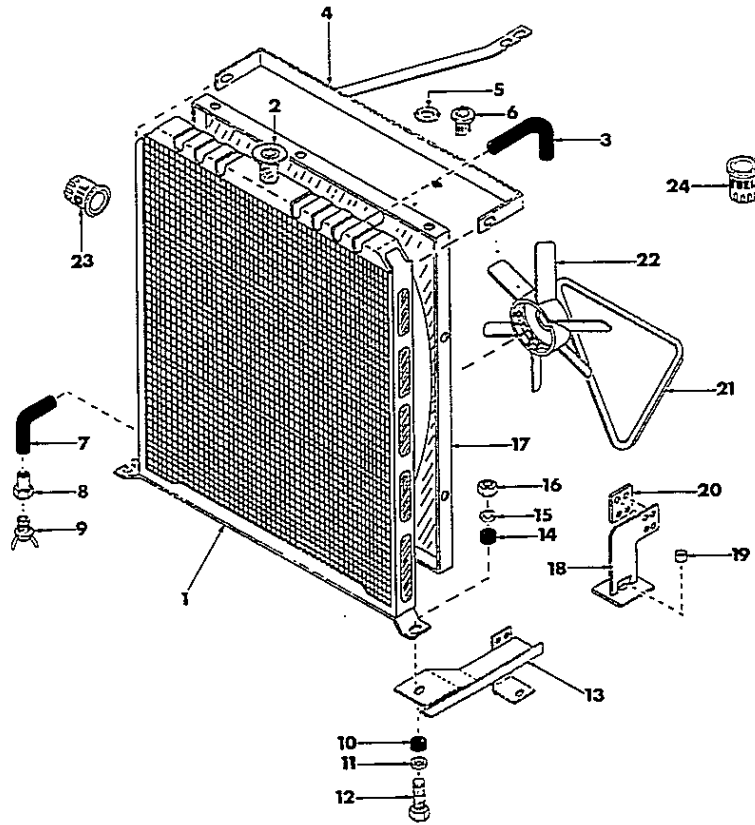


# RADIATOR AND ENGINE MOUNTS T103/T133

7.4

REF.	PART NO.	DESCRIPTION	QUANTITY		SERIAL NO.
			T103	T133	
*	956539	L.H. Motor Mount Ass'y., T103	1	-	
1	956540	R.H. Motor Mount Ass'y., T103	1	-	
*	956509	L.H. Motor Mount Ass'y., T133	-	1	
1	956510	R.H. Motor Mount Ass'y., T133	-	1	
2	21557	Bolt, M12 X 1.25p x 25mm, Gr. 8 (Engine to Mount)	8	8	
3	21558	Springwasher 12mm	8	8	
4	38558	Rubber Isolator	4	4	
5	20235	Snubbing Washer 1/4" Dia. Pl.	12	8	
6	1361	Plainwasher 5/8" Dia.	-	4	
7	1023	Bolt 1/2" X 4" L.	4	4	
8	1024	Nut 1/2" UNC	8	8	
9	956541	Radiator Brace Assembly, T103	1	-	TO LC000516
9	956535	Radiator Brace Assembly, T133	-	1	
10	23771	Bolt M6 X 16 Max. I.O.P., Radiator	2	2	
11	21320	Springwasher 16mm	6	6	
12	1650	Plainwasher 1/4" Dia.	6	6	
13	21554	Bolt 8M X 20mm X 1.25 P, Engine	2	2	
14	1651	Plainwasher 5/16" Dia.	4	4	
15	21029	Springwasher M8	2	2	
16	18467	Radiator Isolator, Bottom Part	2	2	
17	18468	Radiator Isolator, Top Part	2	2	
18	18469	Washer	4	2	
19	19573	Snap Pin	2	-	
19	23113	Snap Pin	-	2	
20	19574	Bolt	2	2	
21	19570	Radiator, T103	1	-	
22	19572	Radiator Cap	1	1	
23	23109	Radiator Assembly, T133	-	1	
24	32724	Top Radiator Brace	2	-	LC000517 - onward
25	32725	Engine Mount Stiffener	1	-	LC000517 - onward
26	16771	Nut, 5/16" UNC nylok	6	6	LC000517 - onward
27	1190	Bolt, 5/16" UNC X 1"	6	6	LC000517 - onward
28	23771	Bolt, 6mm X 16mm	2	2	LC000517 - onward
29	23405	Fan, pusher	1	-	
30	23406	Fan, pusher	-	1	
31	19569	Belt	1	-	
32	22196	Belt	-	1	
33	21677	Fuel Filter Cartridge	-	1	
34	18685	Fuel Filter Cartridge	1	-	
35	36025	Water Pipe	-	1	
36	19575	Water Pipe	1	-	
37	22205	Water Pipe	-	1	
38	22204	Water Pipe	1	-	
39	11495	Oil Filter Cartridge	1	1	

\* not illustrated



# RADIATOR AND ENGINE MOUNTS — T132

7.5

REF.	PART NO.	DESCRIPTION	QUANTITY T132	SERIAL NO.
1	32559	Radiator	1	
2	33492	Radiator Cap	1	
3	33498	Water Hose	1	
4	958582	Top Radiator Mount Ass'y.	1	
5	33496	Gasket	1	
6	33497	Thermostat Assembly	1	
7	33494	Water Hose	1	
9	17085	Draincock	1	
10	18467	Cushion	2	
11	1645	Washer, Lock 1/2"	12	
12	1023	Bolt, Hex 3/8" x 1" UNC	2	
13	958040	R.H. Front Engine Mount Ass'y.	1	
13	958041	L.H. Front Engine Mount Ass'y.	1	
14	18468	Cushion	2	
15	20235	Snubbing Washer	14	
16	1024	Nut 1/2" UNC	8	
17	33493	Fan Shroud	1	
18	958042	L.H. Rear Engine Mount	1	
18	958043	R.H. Rear Engine Mount	1	
19	38558	Neopreme Isolator	4	
20	31681	Plate	1	
21	33495	Fan Belt	1	
22	33502	Fan	1	
23	32125	Oil Filter Cartridge	1	
24	21677	Fuel Filter Cartridge	1	

# NUMERICAL INDEX

PART NO.	SECTION	PART NO.	SECTION	PART NO.	SECTION
261	1.1.1	6081	1.5.1	8850	5.3
276	1.4	6089	1.1	8851	5.3
417	1.2	6111	4.1, 4.8	8852	5.3
526	1.5	6118	5.1, 5.1.1	8862	5.2.1, 5.3.1
1024	1.2.1	6262	7.1	8863	5.2.1, 5.3.1
1064	2.4	6265	7.2	8864	5.2.1, 5.3.1
1080	2.2	6268	7.2, 4.1	8871	5.2.1, 5.3.1
1191	2.2	6270	7.2	8872	5.2.1, 5.3.1
1193	7.3	6273	7.2	8873	5.2.1, 5.3.1
1350	1.5.1	6274	7.2	8881	1.5
1364	2.1.1, 2.2	6275	7.2	9034	5.2
1458	1.1.1, 1.1, 4.1	6318	3.1	9202	1.2
1463	4.1, 4.8	6469	7.2	11495	7.4
1546	1.3, 1.6, 2.2	6505	7.2	11841	2.4
1631	2.2, 2.4	6521	6.1	11848	1.5
1634	2.5, 2.2	6522	6.1	13838	4.7.1
1636	2.1.1	6526	6.1	14620	2.2, 2.5
1642	7.3, 2.1.1, 2.2	6608	4.4, 4.4.1, 4.4.2	14797	1.1.1
1643	1.6, 2.2, 2.5	6645	1.2.1, 1.5.1,	14860	2.1, 2.1.1, 2.2
1645	7.4		2.1.1, 2.2	14866	5.1, 5.1.1
1650	1.5.1, 7.1, 2.2	6798	4.4.2	14867	5.1.1
1651	1.2	6800	1.4	14877	3.1
1672	7.1, 2.1.1, 2.2	6854	4.1	14898	4.1
1673	2.2	6889	1.1.1	14916	2.1
1678	1.2	6940	6.2	14917	7.3
1803	4.4, 4.4.1, 4.4.2	7019	1.4	14937	4.5
1898	2.1.1, 2.2	7124	4.4, 4.4.1, 4.4.2	14938	4.5
2010	1.3, 1.5, 4.7,	7416	2.3	14939	4.5
	4.7.1	7465	2.1.1, 2.2, 2.5	14940	4.5
2279	1.5.1	7667	4.4, 4.4.1, 4.4.2	14941	4.5
2663	1.5.1	7698	7.2	14944	4.5
2823	1.2.1	7723	1.5.1, 7.1	14945	5.3.1
3189	2.2, 1.2, 1.2.1,	8063	5.1	14948	5.2.1, 5.3.1
	2.1, 2.1.1	8104	5.2	14956	5.3.1
3224	4.1	8154	2.5	14957	5.2.1, 5.3.1
3225	4.1	8302	5.1, 5.2	14958	5.3.1
3237	2.1.1	8742	7.3	14959	5.2.1
3252	4.1	8743	7.3	14960	5.2.1, 5.3.1
3547	6.1	8780	5.2.1	14961	5.2.1, 5.3.1
3553	1.5, 2.1.1	8786	4.5	14964	5.2.1, 5.3.1
3605	7.2	8789	5.2, 5.3	14965	5.2.1, 5.3.1
3665	3.1	8792	5.2, 5.3	14966	5.2.1, 5.3.1
3667	3.1	8793	5.2, 5.3, 5.3.1	14971	5.3.1
4539	1.1	8794	5.2, 5.3	14972	5.3.1
4569	4.8	8796	5.2, 5.3	14973	5.2.1
4842	1.1.2, 2.1, 2.2,	8797	5.2, 5.2.1, 5.3,	15052	7.3
	2.4, 1.2.1, 2.1.1		5.3.1	15140	7.3
5170	1.5.1, 2.2	8798	5.2, 5.3	15141	7.3
5803	2.1, 2.4, 2.5,	8799	5.2, 5.3	15227	5.2.1, 5.3.1
	2.1.1, 2.2	8834	2.1, 2.2	15228	5.2.1
5815	1.4	8835	5.2	15231	5.2.1
5816	1.4	8836	5.2	15232	5.2.1
5825	6.1	8840	5.2	15233	5.2.1
5832	1.4, 3.1	8843	5.2, 5.3	15234	5.2.1
5842	1.1, 1.1.1	8844	5.2, 5.3	15235	5.2.1
5845	1.4	8845	5.2, 5.2.1, 5.3,	15236	5.2.1
5891	2.1, 2.2, 2.5,		5.3.1	15237	5.2.1
	2.1.1	8846	5.2, 5.3	15238	5.2.1
5896	2.2	8847	5.2, 5.3	15241	5.3.1
5897	1.2.1	8848	5.2, 5.3	15242	5.3.1
5968	3.1	8849	5.2, 5.3	15243	5.3.1

# NUMERICAL INDEX

PART NO.	SECTION	PART NO.	SECTION	PART NO.	SECTION
15246	5.3.1	19238	4.2.1, 4.3.1, 4.4.	22114	5.4
15255	2.4		4.4.1	22115	5.4
15304	4.1	19240	5.1	22117	5.4
15332	1.5, 6.3, 7.4	19327	6.1	22119	5.4
15648	4.2, 4.2.1, 4.3, 4.3.1, 4.4, 4.4.1	19487	6.1	22120	5.4
		19494	6.1	22121	5.4
15748	1.5.1	19559	6.1	22195	6.1
15758	1.5.1	19570	7.3	22207	5.3.1
15880	2.1, 2.5	19572	7.3	22208	5.2.1
15885	1.5.1	19573	7.3	22233	7.2
15931	1.5.1	19574	7.3	22302	3.2
15935	1.5.1, 6.1	19602	6.1	22303	3.2
15936	1.5.1, 6.1	19605	6.1	22372	1.5
15937	1.5.1, 6.1	19765	7.1	22373	1.5
16027	4.8	19813	3.2	22379	3.1
16028	4.8	19949	1.1, 1.1.1	22381	1.1, 4.1
16138	7.2	20182	4.2.2, 4.3.2, 4.4.2	22388	1.4
16572	2.1	20235	7.3, 7.4	22393	1.5
16609	7.2	20252	4.5	22405	2.4
16771	1.2, 1.5.1	20432	6.1	22408	1.5
16855	3.2	20856	2.5	22428	1.5
16989	1.2.1, 2.1, 2.1.1	20860	2.5, 2.2	22448	3.1
17085	4.1, 7.4	20901	1.1, 4.1	22463	3.1
17099	6.1	21029	7.3	22467	3.2
17121	6.1	21121	5.1	22554	4.7
17144	4.1	21125	5.1	22555	4.2.1, 4.7
17170	2.1	21128	4.2	22557	5.1.1
17171	2.1	21146	7.1	22559	2.3
17226	2.1, 2.5	21174	2.1, 2.4, 2.5, 2.2	22581	5.1.1
17385	2.1, 2.2	21265	6.1	22603	2.4
17516	2.4	21291	7.1	22628	2.1, 2.1.1, 2.2
17579	1.4	21293	7.1	22630	2.1, 2.2
17631	4.1	21294	7.1	22636	2.1, 2.1.1, 2.2
17670	2.3	21295	7.1	22649	1.3
18318	1.1	21296	7.1	22652	1.3
18467	7.3	21297	7.1	22653	1.3
18468	7.3	21324	4.1	22661	1.3
18469	7.3	21415	6.1	22662	1.3
18683	6.1, 6.2	21422	1.1	22665	1.3
18685	1.1	21575	7.2	22667	1.3
18752	4.6	21603	5.1.1	22790	1.5
18753	4.6	21677	1.1, 7.4	22791	1.5
18754	4.6	21679	1.1	22812	6.1
18756	4.6	21927	6.1	22950	3.2
18757	4.6	22071	5.4	22961	1.4
18758	4.6	22072	5.4	22966	2.4
18759	4.6	22073	5.4	23012	2.5
18760	4.6	22074	5.4	23096	2.3
18761	4.6	22075	3.2, 5.4	23113	7.4
18762	4.6	22087	5.4	23178	1.1, 6.1
18763	4.6	22088	5.4	23109	7.3
18765	4.6	22089	5.4	23193	2.3
18766	4.6	22090	5.4	23194	1.1
18767	4.6	22105	5.4	23210	7.2
18768	4.6	22106	5.4	23256	3.2
18769	4.6	22107	5.4	23258	3.2
18791	4.1	22108	5.4	23259	3.2
19029	7.3	22110	5.4	23264	2.4
19114	5.3	22111	5.4	23272	6.1
19226	4.9	22112	5.4	23273	6.1
19232	4.9, 5.1.1	22113	5.4	23328	4.3



# NUMERICAL INDEX

PART NO.	SECTION	PART NO.	SECTION	PART NO.	SECTION
23329	4.3, 4.3.1, 4.3.2	23812	5.1.1	24996	5.4
23330	4.3	23861	1.1, 1.1.1	24997	5.4
23331	4.3, 4.3.1, 4.3.2	23992	5.1.1	25000	4.1, 5.1
23334	4.1, 5.1, 5.1.1	23994	5.1, 5.1.1	25039	3.2
23335	5.1.1	24214	1.1	25045	4.5
23336	5.1.1	24218	2.4	25046	4.5
23337	4.1, 5.1.1	24219	2.4	25047	4.5
23338	4.4, 4.4.1	24229	1.5	25048	4.5
23339	4.4, 4.4.1, 4.4.2	24259	6.1	25051	4.7
23340	4.4, 4.4.1	24264	1.1	25052	4.7
23341	4.4, 4.4.1, 4.4.2	24266	2.4	25055	4.7, 4.7.1
23342	4.2	24267	2.4	25074	5.1, 5.1.1
23343	4.2	24296	1.4	25082	7.3
23344	4.2	24306	3.1	25096	5.2, 5.3
23345	4.2	24307	3.2	25097	5.2, 5.3
23346	4.2	24308	3.2	25098	5.2
23347	4.2	24309	2.4	25099	5.3
23348	4.2	24379	4.7	25116	1.4
23349	4.2	24431	4.6	25175	2.4
23355	4.3, 4.3.1, 4.3.2, 4.4.2	24433	4.6	25176	2.1
23356	4.3, 4.3.1, 4.3.2, 4.4.2	24379	4.7	25204	2.2
23357	4.4	24431	4.6	25298	2.3
23371	2.3	24433	4.6	25372	2.4
23388	4.3, 5.1.1	24549	1.4	25344	5.4
23409	2.3	24579	3.2	25345	5.4
23410	2.3	24589	1.4, 1.5, 2.2	25347	5.4
23439	2.2, 6.1	24298	2.1	25445	1.5
23441	1.4	24599	2.1, 2.2	25500	2.2
23507	4.1	24603	2.1, 2.2	25508	2.2
23509	4.8	24701	7.3	25513	2.2
23518	6.1	24713	3.2	25517	2.2
23519	6.1	24714	3.2	25530	1.5
23526	4.7	24771	1.4	25532	1.5
23527	4.7	24797	1.5	25533	1.6
23528	4.7	24834	3.2	25688	6.1
23529	4.7	24869	5.1	25760	1.5, 6.1
23530	4.7	24872	7.1	25808	1.5
23531	4.7	24877	1.1	25811	1.3
23532	4.7, 4.7.1	24878	1.1	25847	1.5
23533	4.7	24882	1.1	25875	2.2
23534	4.7	24893	7.2	25896	4.9
23535	4.7	24911	5.1	25958	4.2.1
23536	4.7	24914	2.4	25959	4.2.1, 4.2.2
23538	4.7	24942	3.2	25960	4.2.1, 4.2.2
23539	4.7, 4.7.1	24954	7.2	25961	4.2.1, 4.2.2
23579	1.4	24961	6.1	25964	4.3.1
23665	6.1	24971	1.3	25967	4.3.1
23675	2.4	24981	5.4	25968	4.3.1
23678	2.4	24982	5.4	25969	4.3.1
23706	3.2	24983	5.4	25970	4.2.1
23707	3.2	24984	5.4	25971	4.2.1
23709	1.1	24985	5.4	25972	4.2.1, 4.2.2
23710	1.1	24986	3.2, 5.4	25973	4.2.1, 4.2.2
23747	5.1, 5.1.1	24987	5.4	25974	4.2.1, 4.2.2
23748	5.1, 5.1.1	24988	5.4	26059	4.6
23749	5.1, 5.1.1	24989	5.4	26062	4.6
23750	5.1.1	24990	5.1, 5.4	26071	4.6
23763	1.5.1	24992	5.4	26101	1.5
23768	1.5	24993	5.4	26108	2.5
		24994	5.4	26120	1.4
		24995	5.4	26153	4.9

# NUMERICAL INDEX

PART NO.	SECTION	PART NO.	SECTION	PART NO.	SECTION
26167	4.2.1, 4.3.1	30330	2.2	32891	4.7.1
26188	4.1	30590	2.2	32907	3.2
26202	4.1	30698	1.5	33211	7.2
26231	6.1	30705	1.3	33241	1.5
26236	5.1, 5.1.1	30723	1.5	33474	6.2
26464	5.1, 5.1.1	30730	1.5	33475	6.2
26505	2.1	30731	1.5	33476	1.1.1
26549	4.9	30732	1.5	33477	1.1.1
26566	1.5	30733	1.5	33478	7.1
26598	1.5	30734	1.3	33547	3.2
26629	1.2	30735	1.3	33599	2.1
26650	5.3.1	30737	1.5	33877	5.1.1
26656	4.1, 6.1	30739	2.2	33878	5.1.1
26664	1.2.1, 1.2	30764	1.6	33882	4.1
26665	1.2, 1.2.1	30765	1.6	33922	4.5
26666	1.2	30766	1.6	33923	5.3.1
26676	1.2	30767	1.6	33924	5.2.1, 5.3.1
26677	1.2	30856	2.2	34181	5.4
26740	5.1, 5.1.1	30950	5.2, 5.2.1,	34182	5.4
26823	4.5		5.3, 5.3.1	34262	2.2
26857	6.2	31030	4.7.1	34465	5.2.1
29116	1.5	31032	4.7.1	34466	5.2.1, 5.3.1
29118	2.1	31033	4.7.1	34467	5.2.1, 5.3.1
29135	2.1	31381	4.1, 6.1, 6.2	34468	5.2.1, 5.3.1
29248	2.5	31440	1.2, 1.2.1	34469	5.2.1, 5.3.1
29249	2.2	31488	1.2, 1.2.1	34470	5.2.1, 5.3.1
29266	2.1	31650	2.3	34471	5.2.1, 5.3.1
29349	2.2	31654	2.3	34472	5.2.1, 5.3.1
29471	4.4.1	31681	7.4	34473	5.2.1, 5.3.1
29478	4.4.1	31704	6.2	34474	5.2.1, 5.3.1
29703	2.2	31707	7.1	34475	5.2.1, 5.3.1
29841	4.3.1	31783	7.2	34476	5.2.1, 5.3.1
29842	4.3.1	31785	7.2	34478	5.2.1, 5.3.1
29843	4.2.1	31786	7.2	34479	5.2.1
29876	4.7.1	31787	7.2	34484	5.2.1, 5.3.1
29877	4.2.2, 4.7.1	31788	7.2	34485	5.2.1
29886	4.7.1	31892	1.2.1	34486	5.2.1
29929	4.7.1	32070	1.4	34487	5.2.1
29930	4.7.1	32133	1.1.1	34488	5.2.1
29934	1.1, 1.1.1	32146	6.2	34489	5.2.2
29971	6.1	32147	6.2	34490	5.3.1
29982	2.5	32172	2.3	34491	5.3.1
29984	2.2, 4.7.1	32173	2.3	34492	5.3.1
29985	4.7.1	32257	1.5	34493	5.3.1
29986	4.7.1	32259	1.5	34761	1.4
29987	4.7.1	32294	6.2	34881	4.5
29988	4.7.1	32319	2.5	34882	4.5
29989	4.7.1	32323	1.6	34884	4.5
29990	4.7.1	32328	1.6	34885	4.5
29991	4.7.1	32495	4.3.2, 4.7.1	34886	4.5
30000	4.7.1	32501	1.6	34887	4.5
30001	4.7.1	32520	7.2	34899	4.1
30002	4.7.1	32527	1.5	34919	4.1
30038	6.1	32532	1.5	35242	4.8
30043	6.1	32534	1.5	35243	4.8
30091	4.7.2	32537	1.5	35244	4.8
30198	4.6	32615	1.6	35249	4.8
30199	4.6	32616	1.6	35266	3.1
30235	1.5	32636	1.5.1	35424	1.5.1
30310	7.1	32742	1.6	35426	1.2, 1.2.1
30323	4.4.1, 4.4.2	32890	4.7.1	35487	1.4

# NUMERICAL INDEX

PART NO.	SECTION	PART NO.	SECTION	PART NO.	SECTION
35592	4.5	37190	1.4	955374	3.2
35763	2.2	37206	4.1, 6.1, 6.2	955376	2.1
35769	5.1.1	37209	4.1	955379	7.3
35784	2.2	37367	7.1	955382	3.2
35877	2.2	951074	5.2, 5.3	955383	3.2
35879	2.2	951075	5.2	955529	2.3
35933	2.2	951076	5.3	955539	2.4
35934	2.2	951078	4.5	955544	2.4
36095	4.2.2, 4.3.2, 4.4.2, 4.7	952826	5.2.1, 5.3.1	955545	2.4
36097	6.1, 6.2	953785	1.5.1	955565	2.4
36211	4.2.2	953823	1.1	955790	2.5
36212	4.3.2	954396	7.1	955791	2.5
36213	4.4.2	954425	1.2	955798	2.4
36214	4.4.2	954442	7.2	955897	1.5
36215	4.2.2	954443	7.2	955898	1.5
36216	4.3.2	954509	1.4	955903	2.3
36601	1.4	954618	1.6	955904	2.5
36602	1.4	954621	3.2	955905	2.5
36606	1.4	954622	3.2	955909	2.5
36643	4.7	954628	1.6	955914	2.5
36644	4.7	954632	4.8	955917	2.2.1
36645	4.7	954704	7.1	955933	2.2.1
36646	4.7	954706	1.4	955935	2.2.1
36647	4.7	954707	2.1	955946	1.4
36648	4.7	954709	2.1, 2.1.1	955951	2.4
36649	4.7	954710	2.3	956020	2.5
36650	4.7	954714	1.3	956065	4.6
36651	4.7	954715	1.3	956066	4.6
36652	4.7	954716	1.3	956075	4.3
36653	4.7	954722	2.1	956076	4.2
36654	4.7	954734	2.1, 2.1.1	956108	1.5
36655	4.7	954766	1.6	956137	2.2, 2.2.1, 2.5
36656	4.7	954771	1.2	956138	2.2, 2.2.1
36657	4.7	954772	1.2	956164	2.5
36658	4.7	954785	3.2	956191	5.1, 5.1.1
36659	4.7	954895	7.2	956192	2.5
36660	4.7	954897	2.3	956201	4.2.1, 4.2.2
36661	4.7	954902	2.4	956262	4.2, 4.2.1, 4.3, 4.3.1, 4.4, 4.6
36733	4.1	954954	4.1, 5.1, 5.1.1		
36822	7.2	954955	4.2, 4.3, 4.4, 4.8	956291	1.6
36823	7.2	954956	4.2	956295	1.6
36985	1.5.1	954957	4.3, 4.3.1, 4.3.2, 4.4.2	956349	2.5
36986	1.5.1			956361	4.2.1, 4.3.1, 5.1.1
36987	1.5.1	954958	4.3, 4.3.1, 4.3.2		
36988	1.5.1	954959	4.4	956362	4.2, 4.2.1, 4.3.1, 5.1
36989	1.5.1	954963	1.2		
36990	1.5.1	955004	2.5	956364	1.4
36991	1.5.1	955015	2.1, 2.1.1	956464	1.6
36992	1.5.1	955016	2.1, 2.1.1	956465	1.6
36993	1.5.1	955062	1.5.1	956509	7.4
36994	1.5.1	955063	1.5.1	956510	7.4
37008	1.4	955064	1.4	956515	4.1, 4.8
37009	1.4	955186	1.5.1	956519	1.6
37138	4.5	955241	2.1, 2.5	956535	7.4
37140	4.5	955280	3.1	956539	7.4
37141	4.5	955281	3.1	956540	7.4
37142	4.5	955283	3.1	956541	7.4
37143	4.5	955335	4.1, 5.1.1	956712	2.5
37164	1.5.1	955363	1.6	956714	2.2, 2.5
37189	1.4	955364	3.2	956751	2.1
		955366	1.6	956752	2.1

## THOMAS EQUIPMENT LIABILITY WARRANTY

THOMAS EQUIPMENT LIMITED (Hereinafter referred to as the "Company") warrants each new Thomas S/S Loader sold by the Company to be free from manufacturing defects when used in normal service for a period of twelve [12] months\*, or 1000 hours, whichever occurs first, commencing with delivery to the original user, if operated according to manufacturer instructions and by a competent and careful operator. This warranty shall not apply to the loader or any part thereof which has been subject to misuse, negligence, alteration, or accident or which shall have been repaired outside of an authorized Thomas dealer place of business.

The Company's obligation under this warranty is expressly limited to the replacement or repair at Thomas Equipment Limited, Centreville, New Brunswick, or at a designated Thomas Dealer, of such part or parts which in the opinion of the Company have been defective. The Company shall not be liable for consequential labour costs or transportation charges in connection with the replacement or repair of defective parts.

This warranty to repair applies only to new and unused Thomas S/S Loaders which after shipment from the factory have not been altered, changed, repaired, or treated in any manner whatsoever and does not extend to trade accessories though sold or operated with the Company's loader. Trade accessories such as, but not limited to, engines, tires, batteries, are subject to the warranty of their respective manufacturers.

The Company and/or its authorized Thomas dealers shall not be liable for consequential damages or contingent liabilities for the fitness of any Thomas S/S Loader for any particular purpose.

This warranty is expressly in lieu of any other express or implied warranty, condition or guarantee of this Thomas S/S Loader or any part thereof, including any implied warranty or condition of merchantability or fitness and of any other obligations on the part of the Company or the selling dealer.

No representative of the Company has authority to change this warranty in any manner whatsoever and no attempt to repair or promise to repair or improve the Thomas S/S Loader covered by this warranty by any representative of the Company shall waive or change or extend this warranty in any manner whatsoever.

*N.B. Read and practice your Thomas S/S Loader operating and servicing instructions. Failure to do this may void your warranty.*